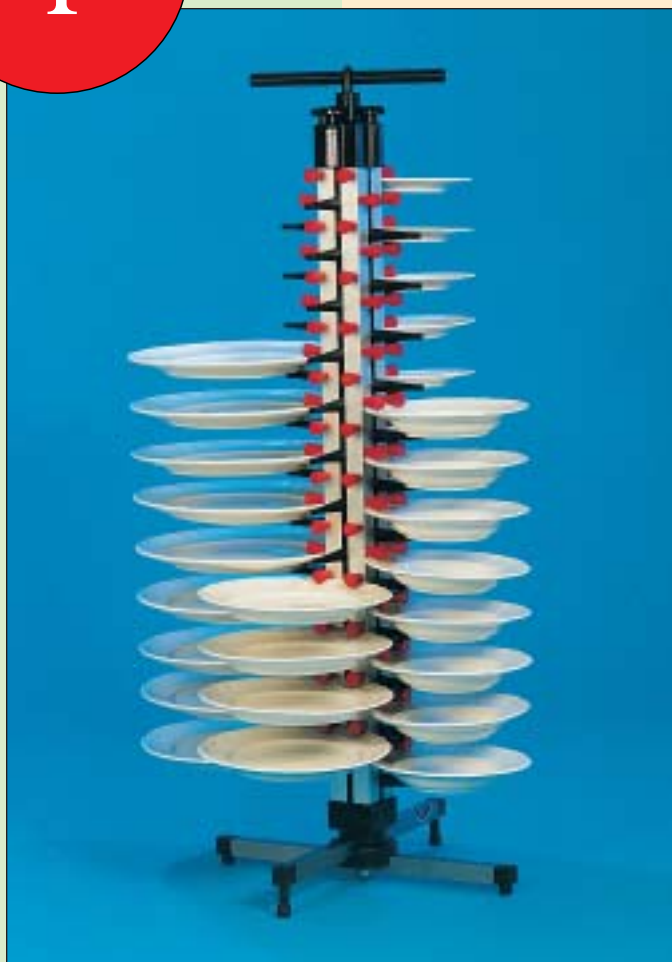




TM 48 TABLE MODEL - CODE 200



- HOLDING CAPACITY: 48 plates
- TOTAL HEIGHT: 44.9" (114 cm)
- MEASUREMENTS OF UNDERCARRIAGE: 14.2" x 14.2" (36 x 36 cm)
- NET WEIGHT: 14.1lb. (6.4 kg)
- GROSS WEIGHT: 16.1lb.(7.3 kg)
- BOX: 7.5" x 7.5" x 49.2" (19 x 19 x 125 cm)



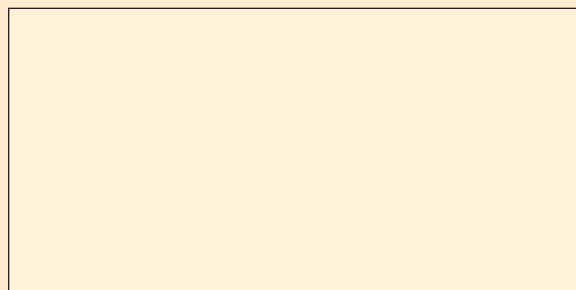
The table model is a plate stacker for restaurants and other industrial kitchens, including kitchens on board ships.

The table model is equipped with a suspension eye at the top, which makes it possible to suspend the device or use it as a wall model.

The table model is provided with adjustable feet to compensate for any unevenness in the surface. This model is easy to clean with a high-pressure washer or with a soap solution and a brush.

*Plate Mate
Your handiest friend
in the kitchen!*

www.plate-mate.com



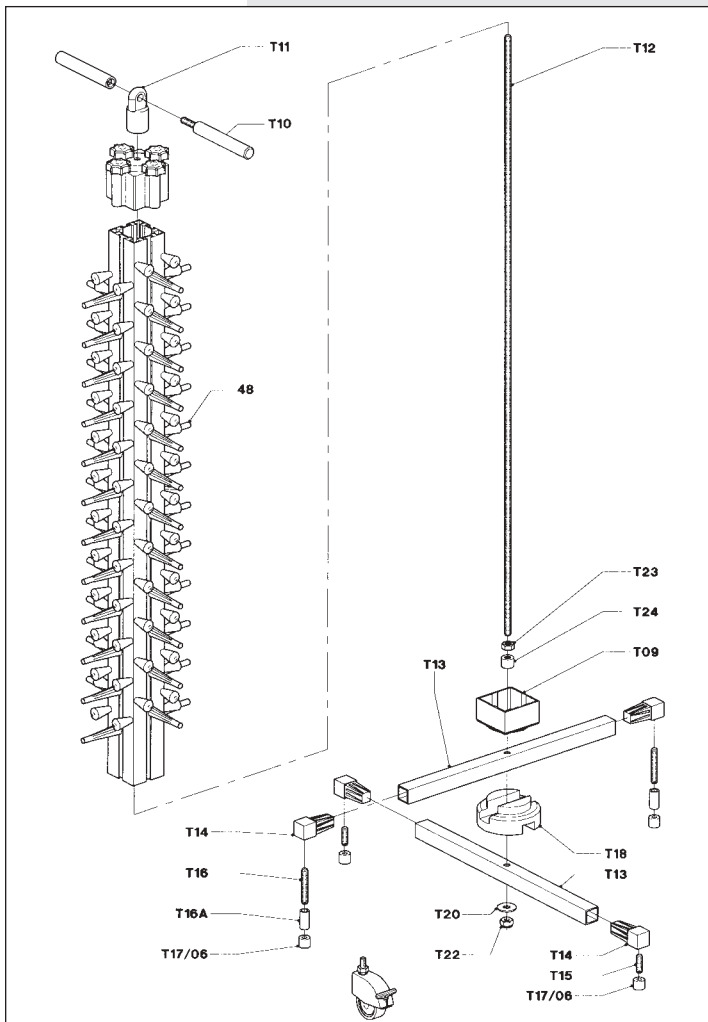


TM 48 TABLE MODEL - CODE 200

ASSEMBLY

The table models are delivered in a box and they are for the most part pre-assembled. Only the foot has to be assembled.

1. Open the box and remove all items. Take the two square tubes with adjustable feet No. T13 and the fastening block No. T18. Push the tubes at a 90 degree angle into the recessed openings in the fastening block. Push the tube with the longer feet into the upper opening and the one with the shorter feet into the lower one. Use the rubber hammer to tap the upper one in.
2. Take the threaded rod No. T12, the nylon bushing No. T24 and the nut T23 (not self-locking). Screw the nut onto the threaded rod until it is at about 4" (10 cm) from the bottom of the threaded rod.
3. Slide the nylon bushing from the bottom up against the nut. Push the threaded rod through the hole of the two tubes T13 and the fastening block T18 until the nylon bushing rests on top of the upper tube.
4. Next mount the self-locking nut T22 with the washer T20 on the bottom of the threaded rod. After the nut has been tightened, the threaded rod should project no more than a 1/8" from the nut.
5. To avoid turning of the threaded rod while the self-locking nut is being mounted, you may want to hold it tight with a pair of pliers somewhere along its center section.
6. Securely tighten the nut T23 above the nylon bushing. The foot is now fastened. Next place the foot T09 over the threaded end. The hole in the foot fits over the nylon bushing. Now slide the Plate Mate column over the threaded end and place the cap with the four adjusting screws on top of the column.
7. Next mount the suspension eye T11 and the hand grip through the eye. The Plate Mate is now ready for use. The hand grip and the suspension eye can be used to fasten the column in place or rotate it with respect to the foot. If wheels are desired, they can be mounted; for this option, please order the wheel set WHset code 870. The set consists of two large and two small wheels. These wheels are provided with a threaded piece that fits into the insert No. T14. Tighten securely with a 13mm open-end wrench. To do this, first remove the adjustable feet T 15/16/17.



PARTS LIST FOR TM 48 TABLE MODEL Code 200

Part Name	Part No.	Quantity
Aluminum main column	TK24	1
Adjusting screw	01	4
Plastic hood	02	1
Hoisting block	03	4
Extension	04	4
Bracket set	05	16
Red shuttle	07	96
Shuttle pin	08	96
Corner bracket (new model)	08A	16
Plastic foot	T09	1
Nylon hand grip	T10	1
Suspension eye	T11	1
Threaded rod TM48	T12	1
Stainless steel tube	T13	2
Plug-in foot	T14	4
Adjusting bolt for foot	T15	2
Adjusting bolt for foot	T16	2
Spacer for feet	T16A	2
Rubber cap	T17/06	4
Nylon fastening block	T18	1
Steel disc	T20	1
Self-locking nut	T22	1
Nut	T23	1
Spacer internal	T24	1