



PM 84 STANDARD - CODE 120



- HOLDING CAPACITY: 84 plates
- TOTAL HEIGHT: 73.5" (5" CASTERS)
- MEASUREMENTS OF UNDER-CARRIAGE: 23.6" x 23.6"
- NET WEIGHT: 45 lb.
- GROSS WEIGHT: 51 lb.
- BASE BOX: 25" x 25" x 8"
COLUMN BOX: 70" x 8" x 8"

The PLATE MATE cart model is a plate holder on wheels to be used in restaurant kitchens and commercial kitchens, including those on board ship. The PLATE MATE is easy to clean and requires no further maintenance. It is very simple to adjust and plates with

their contents can be safely attached.

A protective cover is available as an optional item to protect against odors and prevent the dish contents from drying out.

The PLATE MATE is used all over the world at well-established companies. In the United States, the PLATE MATE is sometimes called the "waiter with 84 arms."

We are sure that you will save lots of time and space with the PLATE MATE.

*The ideal solution for
kitchens with space
problems.*

www.plate-mate.com



PM 84 STANDARD - CODE 120

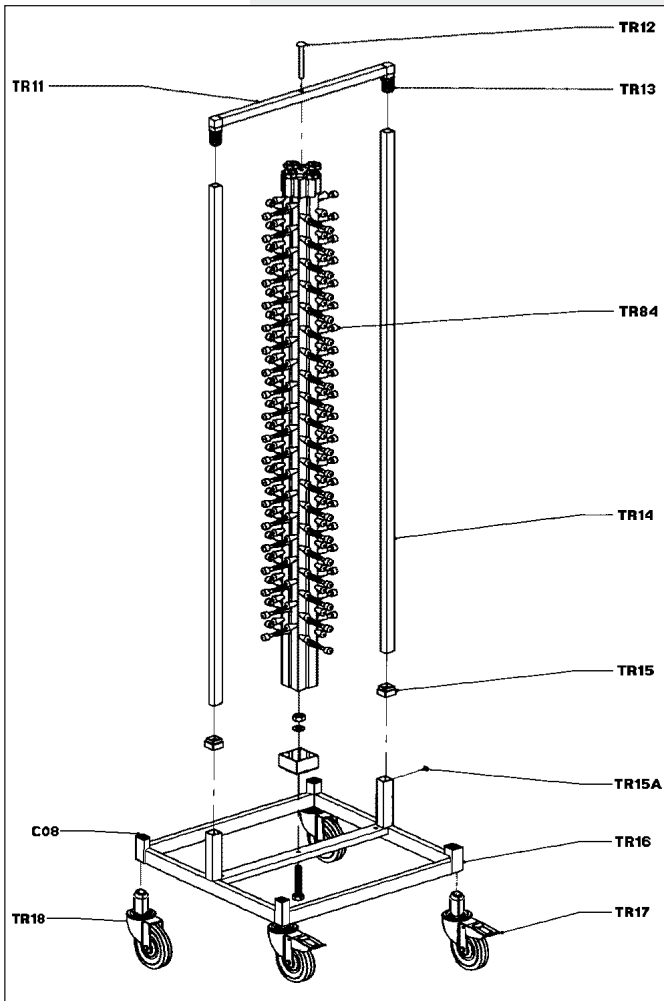
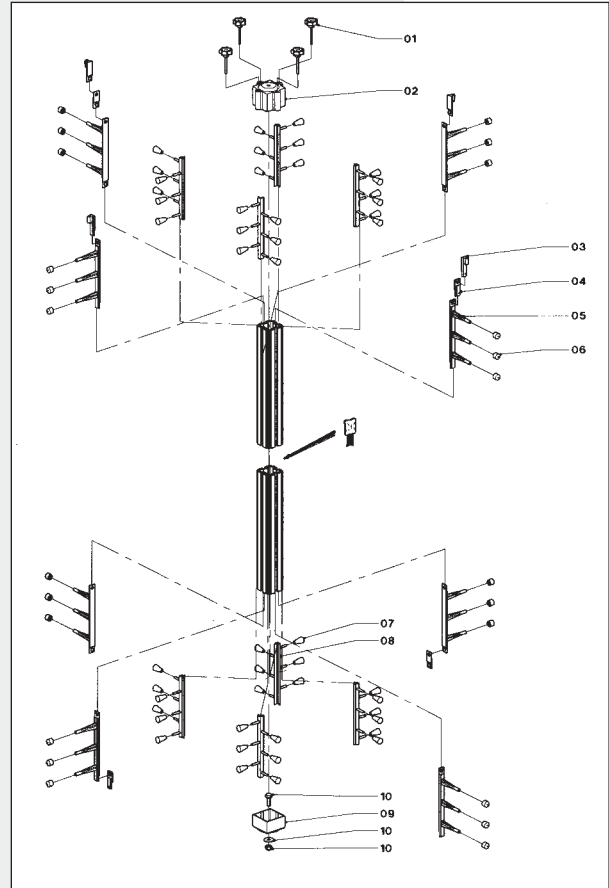
ASSEMBLY

When mounting the PLATE MATE, proceed as follows:

1. Remove the cart and box of wheels from the square box.
2. Insert swivel wheels into each corner of the base.
3. Place the cart with the swivel wheels on the floor.
4. Take the PLATE MATE column and the bridge posts out of the column box.
5. Mount the two stainless steel runners into the tubes on the cart and mount the screws 3.5 x 19 mm. (TR15A)
6. Put the two plastic slip-on caps (TR15) over the tubes and over the screws.
7. Mount the coupling unit between the bridge posts by sliding them into the tube and tapping them in with a rubber hammer.
8. Mount the column into the cart.
9. With the column and bridge assembly mounted on the cart, insert the centering pin through the bridge and down into the center of the column head.

The Plate-Mate is ready for use.

Maintenance: Cleaning can be done with a high-pressure cleaner or with a brush and a cleaning agent.



PARTS LIST FOR PM 84 STANDARD - Code 120

Part Name	Part No.	Quantity
Aluminum main column	TR 84	1
Adjusting screw	01	4
Plastic hood	02	1
Hoisting block	03	4
Extension piece	04	4
Bracket set	05	28
Black stay cap	06	84
Red shuttle	07	168
Corner bracket (left)	08L	14
Corner bracket (right)	08R	14
Plastic foot - hole	09	1
Column connecting screw	10	1
Washer	10/2	1
Lg. end column part/sm. end column/part	11/11A	4/4
Stainless tube	TR11	1
Centering pin	TR12	1
Plastic corner connecting pieces	TR13	2
Stainless steel longitudinal runners	TR14	2
Slip-on caps	TR15	2
Screw	TR15A	4
Stainless base	TR16	1
Swivelling wheel (with brake) - 5" (127 mm)	TR17	2
Swivelling wheel (with brake) - 5" (127 mm)	TR18	2
Plug-in caps	C8	4

