

JOB _____ ITEM # _____ QTY # _____



OTR-1

SERIES OTR (OMNITOP COLD) SELF SERVICE

Piper Products Series OTR Refrigerated Merchandising Cabinets provide self-service for a wide variety of foods, while displaying them attractively in a way sure to attract customers. The refrigeration system is carefully engineered to hold the cold foods at temperatures optimized for protection of their safety and appearance, in accordance with the latest food safety standards.

CONSTRUCTION

The display section is rigidly constructed of stainless steel, with the front open to expedite self-service. The rear is closed by means of two glass doors which are hinged for cleaning and re-stocking. Both ends are closed with fixed glass panels. The glass panels are all mounted to two stainless steel uprights at the rear, with plastic inserts isolating the glass from the uprights. Three glass shelves are mounted, using stainless steel toothed racks adjustable in height. In addition, the base is recessed for additional food storage. The bottom of the recess consists of stainless steel plates which can be lifted out for access to the air circulation system. Fluorescent lights are mounted in a fixture at the top of the display to illuminate the food.

The rear doors are double, with the outer layers sealed into the door frames. The inner layer is perforated as part of the air circulation system and is removable for cleaning. The doors are hinged and can be swung out for re-stocking and for cleaning.

The display section sits on a base which houses the evaporator coil and the air circulation system. Around the base, near its top, a flange is provided to support the unit when it is installed in a cabinet or a counter.

COOLING

The food is cooled by a precisely controlled air flow pattern

MODEL NUMBER

- OTR-1 OTR-1-R
- OTR-2 OTR-2-R
- OTR-3 OTR-3-R

that maintains 38° to 40°F within the cabinet, even though the customer side is open for self-service. Employing blowers and ducts, the system creates a circular flow of cold air that covers all of the displayed food while protecting the food from ambient temperature conditions.

NOTE 1: Ambient conditions should be no higher than 75°F and 50% RH.

NOTE 2: If ambient conditions higher than 75°F and 50% RH are expected to be encountered, the factory must be advised of this when a quotation is requested at time of ordering.

REFRIGERATION

A frame for the refrigeration system is mounted under the base. The system is self-contained and fully connected. It is thermostatically controlled and includes an automatic defrost system using hot return gas to melt ice off of the evaporator coil. (If remote refrigeration option is selected, the hot gas return defrost is not provided.) The refrigerant is environmentally safe type 404a.

NOTE 1: A 1" diameter drain pipe is provided as shown in the drawing. This drain must contain a trap before connecting to a floor drain or service container at time of installation.

CONTROLS

The controls are solid state, mounted on a panel and wired for remote mounting. Included are on-off switches for lighting and for power, and an adjustable temperature controller with a digital readout.

CAPACITY

Capacity depends on the types of food and their containers.

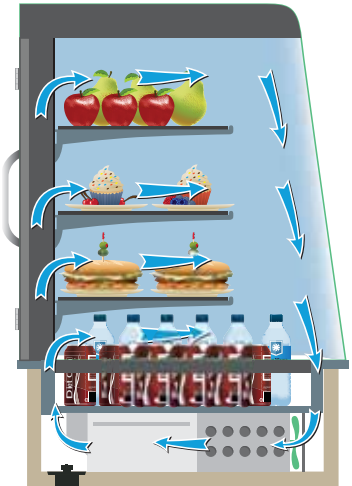
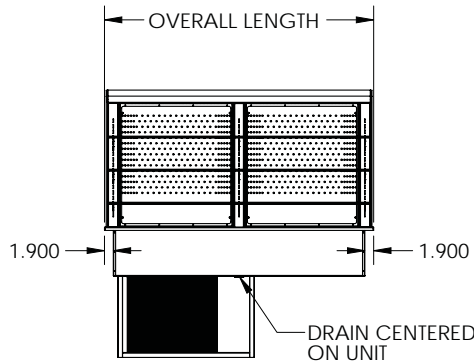
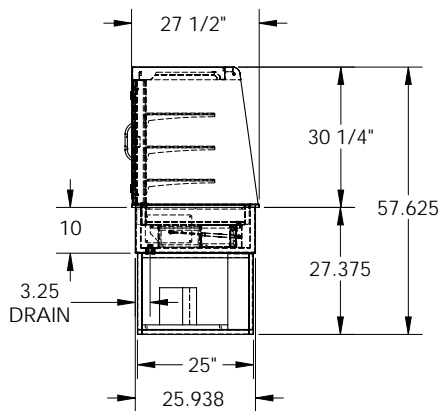
NOTE: IF THE UNIT IS TO BE MOUNTED INTO A COUNTER OR CABINET,

Front and rear ventilation louvers, each at least 25" W x 20" H, **MUST** be provided in the cabinet or counter and located so as to provide full ventilation for the condensing unit.

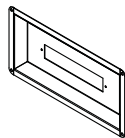
SPEC R-4

PIPER PRODUCTS
BUILT TO LAST
www.piperonline.net

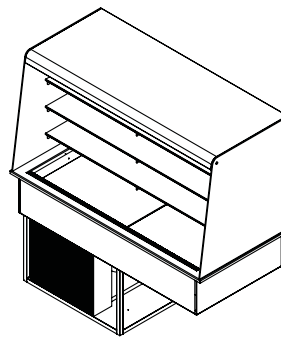
300 S. 84th Avenue
Wausau, WI 54401
Phone: 800-544-3057
Fax: 715-842-3125



The Food is cooled by a precisely controlled air flow pattern that maintains 38°F to 40°F within the cabinet, even though the customer side is open for self service.



CUT OUT DIMENSIONS FOR CONTROL MOUNTING PLATE:
5" HIGH X 10 7/8" LONG



REFRIGERATED, DROP-IN – OMNITOP COLD *STANDARD UNIT*

Model	Overall Length	Overall Width	Ht Above Counter	Ht Below Counter	Counter Cutout (L x W)	Volts/Phase	Amps	Plug Nema #	Weight (lbs.)
OTR-1	32.3"	27.5"	30.25"	27.375"	29.75" x 26.25"	208/1	7	6-15p	655
OTR-2	45.3"	27.5"	30.25"	27.375"	42.5" x 26.25"	208/1	9	6-15p	835
OTR-3	58"	27.5"	30.25"	27.375"	55.375" x 26.25"	208/1	13	6-20p	955

REFRIGERATED, DROP-IN – OMNITOP COLD *WITHOUT CONDENSING UNIT* (REQUIRES REMOTE COND. UNIT BY OTHERS)

Model	Overall Length	Overall Width	Ht Above Counter	Ht Below Counter	Counter Cutout (L x W)	Volts/Phase	Amps	Plug Nema #	Weight (lbs.)
OTR-1-R	32.3"	27.5"	30.25"	10"	29.75" x 26.25"	208/1	2	6-15p	319
OTR-2-R	45.3"	27.5"	30.25"	10"	42.5" x 26.25"	208/1	2	6-15p	385
OTR-3-R	58"	27.5"	30.25"	10"	55.375" x 26.25"	208/1	2	6-15p	451

OPTIONS

- Roll Down Night Cover.
- The refrigeration system can be provided for remote installation when required.
- Piper Products can provide counters or cabinets with the units pre-mounted in them. Consult factory for further information and pricing.

R-4 SPEC

PIPER PRODUCTS
BUILT TO LAST
www.piperonline.net

300 S. 84th Avenue
Wausau, WI 54401
Phone: 800-544-3057
Fax: 715-842-3125

LIMITED WARRANTY: PIPER PRODUCTS warrants to the original purchaser parts and labor for a period of twelve (12) months from the date of purchase. See manufacturer's complete warranty for details.

It is our policy to build equipment which is design certified by companies that have been accredited at the Federal Level by the Occupational Safety and Health Agency (OSHA) and ANSI as a National Recognized Testing Laboratory. These companies include CSA International, Underwriters Laboratories, and the National Sanitation Foundation. However, a continuing program of product improvement makes it necessary to submit new models to the agencies as they are developed. Consequently, all models may not bear the appropriate labels at all times.

We reserve the right to change specifications and product design without notice. Such revisions do not entitle buyer to corresponding changes, improvements, additions or replacements for previously purchased equipment. Information is not for design purposes.