

JOB _____ ITEM # _____ QTY # _____



The Elite 500 Cashier Stand is a comfortable workstation. Ideal for use in cafeteria/buffet lines. This Elite 500 unit is compatible and will interlock with other Elite 500 units or the cashier stand can be operated as a freestanding separate unit.

STANDARD FEATURES

- ◆ 14-gauge stainless steel top with 1-1/2" turndown on all sides
- ◆ Top secured by four recessed bolts for easy access
- ◆ 14-gauge stainless steel legs fastened to 18-gauge stainless steel bottom shelf
- ◆ 20-gauge stainless steel end and front panels are attached to legs
- ◆ Standard unit comes with a solid bottom
- ◆ Hole in top with bushing for cash register cord **(standard)**
- ◆ Locking drawer **(standard)**
- ◆ 5" diameter swivel plate casters, 2 with brakes
- ◆ Interlocking mechanism is provided to interlock with other Elite units
- ◆ The utility drawer is centered in the panel on the open side and mounted on roller bearing slides

MODEL NUMBER

- 2-CD
- with drawer
- 2-CR
- corner unit
- 2-MCU
- mitered corner unit

Consult factory for unit specification on a corner or mitered unit.

DIMENSIONS

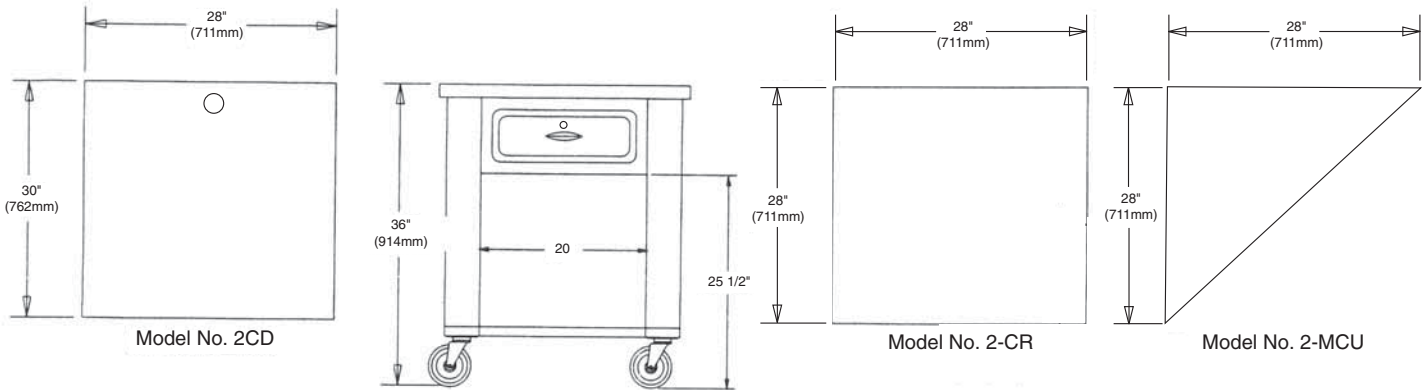
- ◆ 2-CD - with drawer - 36"H x 28"D x 30"L
- ◆ 2-CR - corner unit - 36"H x 28"D x 28"L
- ◆ 36" height on all standard units
- ◆ 30" height is available on Petite Elite units
- ◆ 28" width
- ◆ 30" length

COMMON OPTIONS

- PIZZAZZ POWDER COATING IN LIEU OF STAINLESS STEEL**
- Tray slides
- Tubular foot rest
- Duplex outlet
- See reverse side for additional options

WARRANTY

One year parts and labor. Warranty is detailed on inside front cover of the price list.



OPTIONS / ACCESSORIES

Part #	Description
<input type="checkbox"/> PPC	Pizzazz Powder Coating
<input type="checkbox"/> SRTS	Solid 3-ribbed tray slide, 16-gauge stainless steel
<input type="checkbox"/> 3BTS	3-bar tray slide
<input type="checkbox"/> SSL	Legs in lieu of casters
<input type="checkbox"/> DOUT	Duplex outlet (120V, 15 AMP)
<input type="checkbox"/> FRMA	Formica laminate finish
<input type="checkbox"/> TFR	Tubular foot rest
<input type="checkbox"/> SKR	Skirting

CASHIER STAND UNIT SPECIFICATIONS

Model#	Length	Width	Height	Ship Wt. (lbs)
2-CD with drawer	30"	28"	36"	165
2-CR Corner unit	28"	28"	36"	160
Mitered Corner unit	—	28"	36"	140

Drawer is 16" wide, 19" long and 2-1/2" deep.

DIMENSION ADDITIONS FOR OPTIONS

- ◆ Add 12-3/4" to width for solid ribbed tray slide
- ◆ Add 12-1/2" to width for 3-bar tray slide
- ◆ 30" height is available on Petite Elite units

Note: Line-up drawing required when ordering a cashier stand or interconnected units.

A-11 SPEC

PIPER PRODUCTS
 BUILT TO LAST
www.piperonline.net

300 S. 84th Avenue
 Wausau, WI 54401
 Phone: 800-544-3057
 Fax: 715-842-3125

LIMITED WARRANTY: PIPER PRODUCTS warrants to the original purchaser parts and labor for a period of twelve (12) months from the date of purchase. See manufacturer's complete warranty for details.

It is our policy to build equipment which is design certified by companies that have been accredited at the Federal Level by the Occupational Safety and Health Agency (OSHA) and ANSI as a National Recognized Testing Laboratory. These companies include CSA International, Underwriters Laboratories, and the National Sanitation Foundation. However, a continuing program of product improvement makes it necessary to submit new models to the agencies as they are developed. Consequently, all models may not bear the appropriate labels at all times.

We reserve the right to change specifications and product design without notice. Such revisions do not entitle buyer to corresponding changes, improvements, additions or replacements for previously purchased equipment. Information is not for design purposes.