



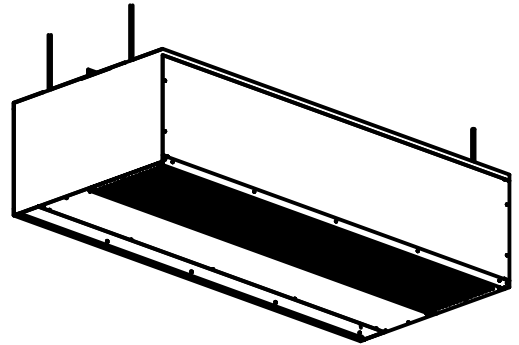
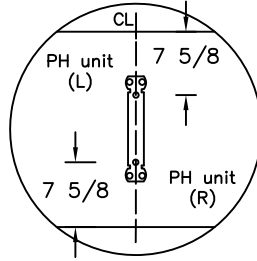
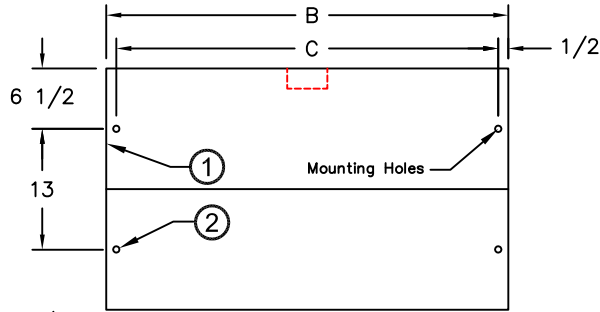
atmosphere is everything

14716 S. Broadway • Gardena, CA 90248 • USA
 TEL: (310) 532-1555 • (800) 421-1266 • FAX: (310) 324-3030
 Web Site: www.marsair.com • E-mail: info@marsair.com

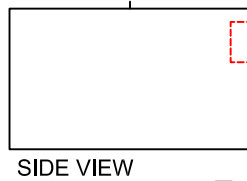
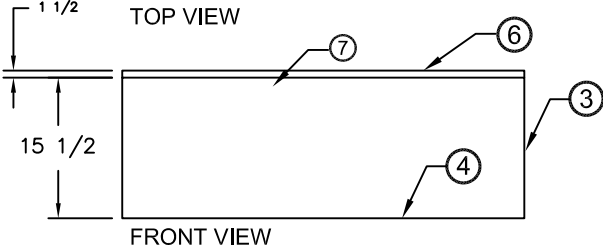
| | | | |
|-----------------------|----------------------|-----------------|------------|
| PROJECT | | OPTIONS/ITEMS | |
| TITLE | | | |
| COMMENTS | | DATE 4/17/15 | PAGE |
| | | REV. NO | |
| MODEL NO. PH10 Series | DRAWING NO PH10ELC-F | DRAWN BY TVN | CHECKED BY |
| | | FILE NAME | |

Electric Heated Drawing

PH10 (Phantom 10 Series)

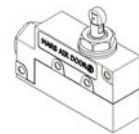
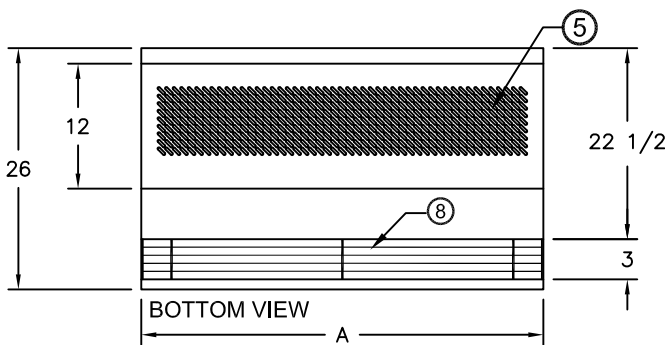


For tandem mounted units, center support required. The (2) center mounting holes are centerline of unit and 7 5/8" from front and rear of unit.



Remote Thermostat (9)

Recommended Accessories (11)



Door Limit Switches

*- Use corresponding letters in "Voltage Code" then "Wattage Code" columns to complete the model numbers.

Note: MARS reserves the right to change specifications and product design without notice. Such revisions do not entitle the buyer to corresponding changes, improvements additions or replacements for previously purchased equipment.

Notes:

- This product is designed to meet the National Electric Code (NEC) and is ETL listed for the US and Canada (UL 2021 and CSA 22.2).
- (4) 3/8" threaded rod required for overhead installation.
- All units have a self contained one piece cabinet, fire retardant with brushed aluminum housing. The exposed bottom surface is protected with baked on Pearl White color, rust preventative electrostatic polyurethane powder coating.
- Four (4) 1" x 1" pearl white trim pieces included to match air curatins and ceilings. (Does not increase unite size)
- Cleanable polyester filters included as standard. Optional aluminum or throwaway pleated filters available.
- Cabinet has sufficient strength for fastening to wall on both ends without intermediate support. Tandem mounted units longer than 72" require center support.
- Control panel is pre-wired and pre-mounted inside the cabinet. Optional remote mounted available.
- Unit is to be installed such that air flow is unobstructed. Unit has a 3" air discharge nozzle containing adjustable air directional vanes with 40° sweep front to back.
- Wall mounted 24 volt thermostat with remote "heat/off/fan" switch is shipped loose and field installed by others. Terminal block provided inside control panel.
- Circuit protection as per NEC by others.
- Optional door limit switch and mounting brackets are field installed and/or wired by others. The door limit switch is to be mounted such that the air curtain turns on as door begins to open. To prevent unit damage, the mounting brackets must be installed such that the bottom of the air curtain is not below the door header.

| MODEL NUMBER | NOZZLE WIDTH A (in) | OVERALL LENGTH B (in) | MOUNTING CENTER C (in) |
|-----------------|---------------------|-----------------------|------------------------|
| PH1036-1E**-PW | 36 | 36 1/8 | 35 1/8 |
| PH1042-1E**-PW | 42 | 42 1/8 | 41 1/8 |
| PH1048-1E**-PW | 48 | 48 1/8 | 47 1/8 |
| PH1060-2E**-PW | 60 | 60 1/8 | 59 1/8 |
| PH1072-2E**-PW | 72 | 72 1/8 | 71 1/8 |
| PH1084-2E**-PW | 84 | 84 1/4 | 83 1/4 |
| PH1096-2E**-PW | 96 | 96 1/4 | 95 1/4 |
| PH10108-3E**-PW | 108 | 108 1/4 | 107 1/4 |
| PH10120-4E**-PW | 120 | 120 1/4 | 119 1/4 |
| PH10144-4E**-PW | 144 | 144 1/4 | 143 1/4 |

PH10 (Phantom 10) Series

Electric Heated

Model Lengths 36" – 144"



atmosphere is everything

14716 S. BROADWAY, GARDENA, CA 90248 • Ph: (310)532-1555 Fax: (310)532-3030 • www.marsair.com
© Copyright Mars Air Systems, LLC 2014

Electric Heated Data Sheet

Applications: Environmental Separation up to 12' and Insect Control up to 10'

| PH10 (Phantom 10) | Mechanical Data | | | | | | Lab Data | | | | | |
|----------------------|-----------------|--------------------|-------------|------------|-------------|------------|--------------|-----------------------------------|--------------------|--------------|----------------|----------------------|
| | Model Number | Nozzle Length (in) | Length (in) | Depth (in) | Height (in) | Motor (hp) | Weight (lbs) | Max Core Velocity at Nozzle (fpm) | Avg Velocity (fpm) | Volume (cfm) | Uniformity (%) | Power Rating (watts) |
| PH1036-1E**-PW | 36 | 36 | 26 | 17 | 1/2 | 65 | 3950 | 1947 | 1460 | 91 | 460 | |
| PH1042-1E**-PW | 42 | 42 | 26 | 17 | 1/2 | 70 | 4150 | 1806 | 1580 | 89 | 500 | |
| PH1048-1E**-PW | 48 | 48 | 26 | 17 | 1/2 | 75 | 3895 | 1632 | 1632 | 91 | 520 | |
| PH1060-2E**-PW | 60 | 60 | 26 | 17 | Two 1/2 | 115 | 3750 | 2217 | 2771 | 93 | 870 | |
| PH1072-2E**-PW | 72 | 72 | 26 | 17 | Two 1/2 | 120 | 3950 | 1947 | 2920 | 91 | 920 | |
| PH1084-2E**-PW | 84 | 84 | 26 | 17 | Two 1/2 | 140 | 4150 | 1806 | 3160 | 89 | 1000 | |
| PH1096-2E**-PW | 96 | 96 | 26 | 17 | Two 1/2 | 145 | 3895 | 1632 | 3264 | 91 | 1040 | |
| PH10108-3E**-PW | 108 | 108 | 26 | 17 | Three 1/2 | 195 | 3950 | 1947 | 4380 | 91 | 1380 | |
| PH10120-4E**-PW | 120 | 120 | 26 | 17 | Four 1/2 | 230 | 3750 | 2217 | 5541 | 93 | 1730 | |
| PH10144-4E**-PW | 144 | 144 | 26 | 17 | Four 1/2 | 260 | 3950 | 1947 | 5840 | 91 | 1840 | |

* - Use corresponding letters in "Voltage Code" & Wattage Code" to complete the model numbers.

Note: Data above for 1725 RPM at 60 Hz, 50 Hz is 1425 RPM with a 17% reduction in the performance data.

Features:

Air Curtain

- ❖ 1/2 HP Continuous Duty TEAO Motors
- ❖ Recessed mounted in ceiling for invisible coverage
- ❖ ETL Certified to conform to UL 2021 (US) and CSA 22.2 (Canada) Standards
- ❖ (4) 3/8" top mounting holes provided
- ❖ Utilized in premium design concepts
- ❖ Durable aluminum construction
- ❖ Cabinet has sufficient strength for fastening to wall on both ends without intermediate support. (Tandem mounted units longer than 72" require center support)
- ❖ Cleanable polyester filters included as standard
- ❖ Adjustable air directional vanes with 40° sweep front to back
- ❖ Standard color is Pearl White
- ❖ Rust preventative electrostatic polyurethane powder coating
- ❖ 18 month parts warranty
- ❖ Freight Included (FOB Continental USA)
- ❖ Proudly Made in the USA

Electric Heater Coil and Wiring

- ❖ Coils are an open type for rapid temperature rise to be located in the air curtain's intake directly in the air stream
- ❖ Manual reset thermal overload protection provided
- ❖ Controls internally mounted, prewired ready for power connection and accessible through the bottom intake or top access panels
- ❖ Control voltage is 24 volts
- ❖ A wall mounted 24 volt thermostat is included (field wired and installed by others)

Options and Accessories: (see Accessories Brochure)

- ❖ SimpleLink Controller
 - For 2 speed, secondary 115V or 208/230V, 1Ph power reqd. for 460V & 575V
- ❖ Remote mounted control panel
- ❖ Adjustable time delay (1 sec to 17 min)
- ❖ Remote mounted fused or non-fused disconnects
- ❖ Hi-Lo Heat
- ❖ Heat on Demand
- ❖ Master + Slave Control Kit
- ❖ 2 speed controls (Separate 115V or 208/230V, 1Ph power required for 460 & 575V)
- ❖ 1/4" and 1" Aluminum Mesh Filters
- ❖ Custom colors and finishes (304SS, 316SS)

Sound Levels: (measured at 10' in an open field)

1 Motor Unit = 66 dBA, 2 Motor Unit = 68 dBA, 3 Motor Unit = 71 dBA & 4 Motor Unit = 73 dBA

| Three Phase Electrical Data (FLA) | Unit Voltage (Voltage Code) Amperage | | | | Heater kilowatts (Wattage Code) kW | | | | Temp Rise °F |
|---|--|----------------|----------------|----------------|--|-----|-----|-----|--------------------|
| | 208v/3Ø (E) | 230v/3Ø (F) | 460v/3Ø (H) | 575v/3Ø (I) | (H) | (N) | (S) | (T) | |
| | PH1036-1E**-PW | 36.0 | 33.0 | 16.0 | 13.0 | 12 | - | - | |
| PH1042-1E**-PW | 36.0 | 33.0 | 16.0 | 13.0 | 12 | - | - | - | 27 |
| PH1048-1E**-PW | 36.0 | 33.0 | 16.0 | 13.0 | 12 | - | - | - | 26 |
| PH1060-2E**-PW | 72.0 | 66.0 | 32.0 | 26.0 | - | 24 | - | - | 28 |
| PH1072-2E**-PW | 72.0 | 66.0 | 32.0 | 26.0 | - | 24 | - | - | 27 |
| PH1084-2E**-PW | 72.0 | 66.0 | 32.0 | 26.0 | - | 24 | - | - | 27 |
| PH1096-2E**-PW | 72.0 | 66.0 | 32.0 | 26.0 | - | 24 | - | - | 26 |
| PH10108-3E**-PW | 108.0 | 98.0 | 48.0 | 39.0 | - | - | 36 | - | 27 |
| PH10120-4E**-PW | 110.0 | 101.0 | 49.0 | 39.0 | - | - | - | 48 | 26 |
| PH10144-4E**-PW | 110.0 | 101.0 | 49.0 | 39.0 | - | - | - | 48 | 26 |

* - Use corresponding letters in "Voltage Code and Wattage Code" to complete the model numbers.

For Ampacity Multiply FLA X 1.25

Motor amps per motor: 5.1A @ 115v; 2.5A @ 208/230v/1Ø; 0.8A @ 460v/3Ø; 0.7A @ 575v/3Ø.

| Single Phase Electrical Data (FLA) | Unit Voltage (Voltage Code) Amperage | | Heater kilowatts (Wattage Code) kW | | | | Temp Rise °F |
|--|--|----------------|--|-----|-----|-----|--------------------|
| | 208v/1Ø (B) | 230v/1Ø (C) | (B) | (H) | (K) | (N) | |
| | PH1036-1E**-PW | 32.0 | 29.0 | 6 | - | - | |
| PH1042-1E**-PW | 32.0 | 29.0 | 6 | - | - | - | 13 |
| PH1048-1E**-PW | 32.0 | 29.0 | 6 | - | - | - | 13 |
| PH1060-2E**-PW | 63.0 | 58.0 | - | 12 | - | - | 14 |
| PH1072-2E**-PW | 63.0 | 58.0 | - | 12 | - | - | 14 |
| PH1084-2E**-PW | 63.0 | 58.0 | - | 12 | - | - | 13 |
| PH1096-2E**-PW | 63.0 | 58.0 | - | 12 | - | - | 13 |
| PH10108-3E**-PW | 95.0 | 86.0 | - | - | 18 | - | 14 |
| PH10120-4E**-PW | 97.0 | 89.0 | - | - | - | 24 | 13 |
| PH10144-4E**-PW | 97.0 | 89.0 | - | - | - | 24 | 13 |

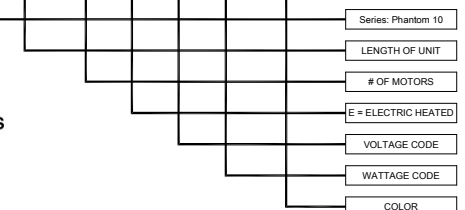
* - Use corresponding letters in "Voltage Code and Wattage Code" to complete the model numbers.

For Ampacity Multiply FLA X 1.25

Motor amps per motor: 2.5A @ 208/230v/1Ø

EXAMPLE

PH10 72 - 2 E H N -PW



NOTE: MARS AIR SYSTEMS, LLC reserves the right to change specifications and product design without notice. Such revisions do not entitle the buyer to corresponding changes, improvements, additions or replacements for previously purchased equipment.