



**TOBIN ELLIS SIGNATURE COCKTAIL STATION ICE CHESTS
WITH COLD PLATE**



*TSC36IC10
Shown with optional ice covers.*



JOB	
AREA	
ITEM NO.	
MODEL NO.	

MODELS
TSC Series
TSC24IC10
TSC30IC10
TSC36IC10
TSC42IC10

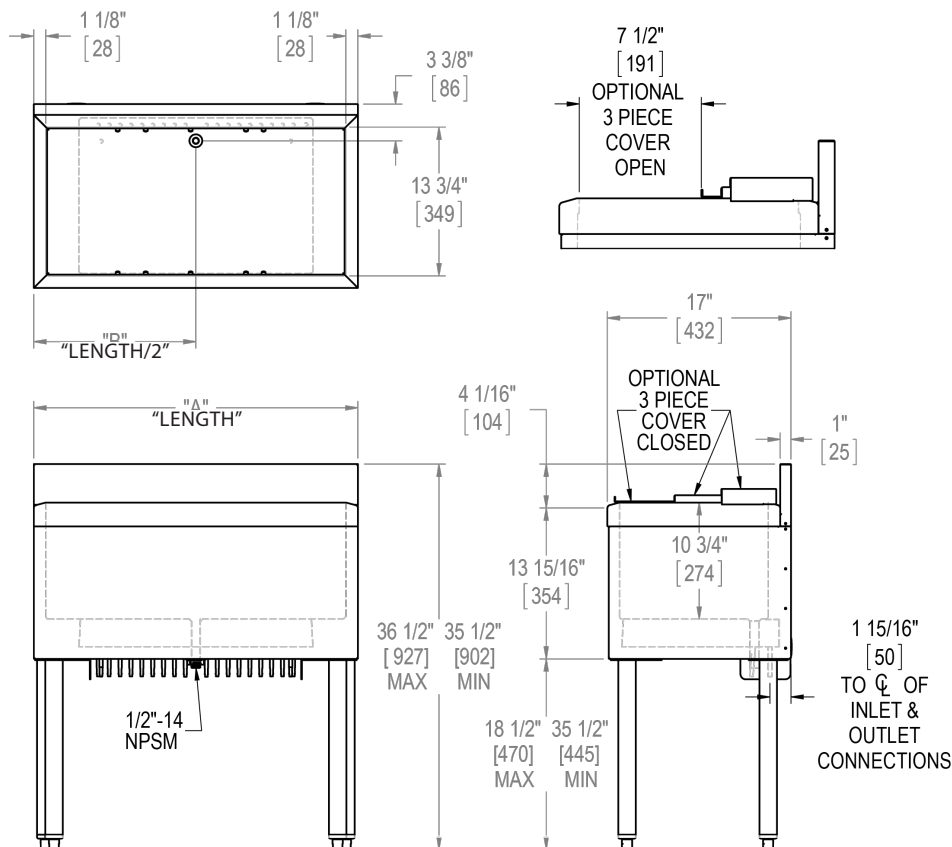
Features

- Patented design conceals cold plate under liner for improved sanitation
- Dent resistant ABS top ledge
- Optional “clip-on” ice dividers create separated ice storage
- Shallower depth allows bartender to stand closer to their work counter and guests
- Raised work height improves ergonomics and reduces reaching and bending
- Stainless steel legs install without tools and have rust-free thermoplastic feet

Perlick **TOBIN ELLIS SIGNATURE COCKTAIL STATION ICE CHESTS WITH COLD PLATE**

MODEL NOS.	TSC24IC10	TSC30IC10	TSC36IC10	TSC42IC10
LENGTH IN. (mm)	24 (610)	30 (762)	36 (914)	42 (1067)
ICE CAP. lbs. (kg)	50 (22.7)	64 (27.2)	78 (35.4)	92 (41.7)
SHIP WT. lbs. (kg)	130 (60)	140 (63.5)	150 (68.0)	160 (72.6)
CONSTRUCTION	All Stainless steel with ABS top rim			
BACKSPLASH	TSC Series: Stainless steel 6" high (4" optional) with 1" return at top, mechanically fastened and sealed to ice chest top. TSD Series: Not applicable			
COVERS*	Stainless steel, three-piece, removable			
INTERIOR	Stainless steel with 1/4" radius corners, welded and sealed with non-exposed cold plate. Interiors can be divided with accessory "clip-on" ice dividers			
INSULATION	Foamed-in-place polyurethane			
COLD PLATE	Cast aluminum plate concealed under ice chest liner. Cold plate has 2 full-length circuits and 8 half-length circuits. Connections - 5/16" O.D. stainless steel tubing with swaged end to accept standard 1/4" I.D. beverage tubing			
OPERATING SPECIFICATIONS	Each full circuit will deliver four 6 oz. drinks per minute at 40° continuously, or 40 oz. every three minutes in a single draw (flow rate 2 oz./sec, 75° product)			
LEGS	1-5/8" tubular, stainless steel with 1" adjustable thermoplastic foot (4 legs are standard)			
PLUMBING	Drain connection- 1/2" - 14 NPSM male			
ACCESSORIES	Three-piece covers, "clip-on" dividers and bottle tray			

**Note: Covers not included.*



Form No. Z2386
Rev. 07.22.2016