

Perlick® **UNDERBAR SINKS**
SINGLE TANK/STAINLESS STEEL BOWL



JOB	
AREA	
ITEM NO.	
MODEL NO.	

MODELS
TS Series
TS12HSN

NSF
 C US
 ASME A112.19.3/CSA B45.4
 NSF/ANSI 2

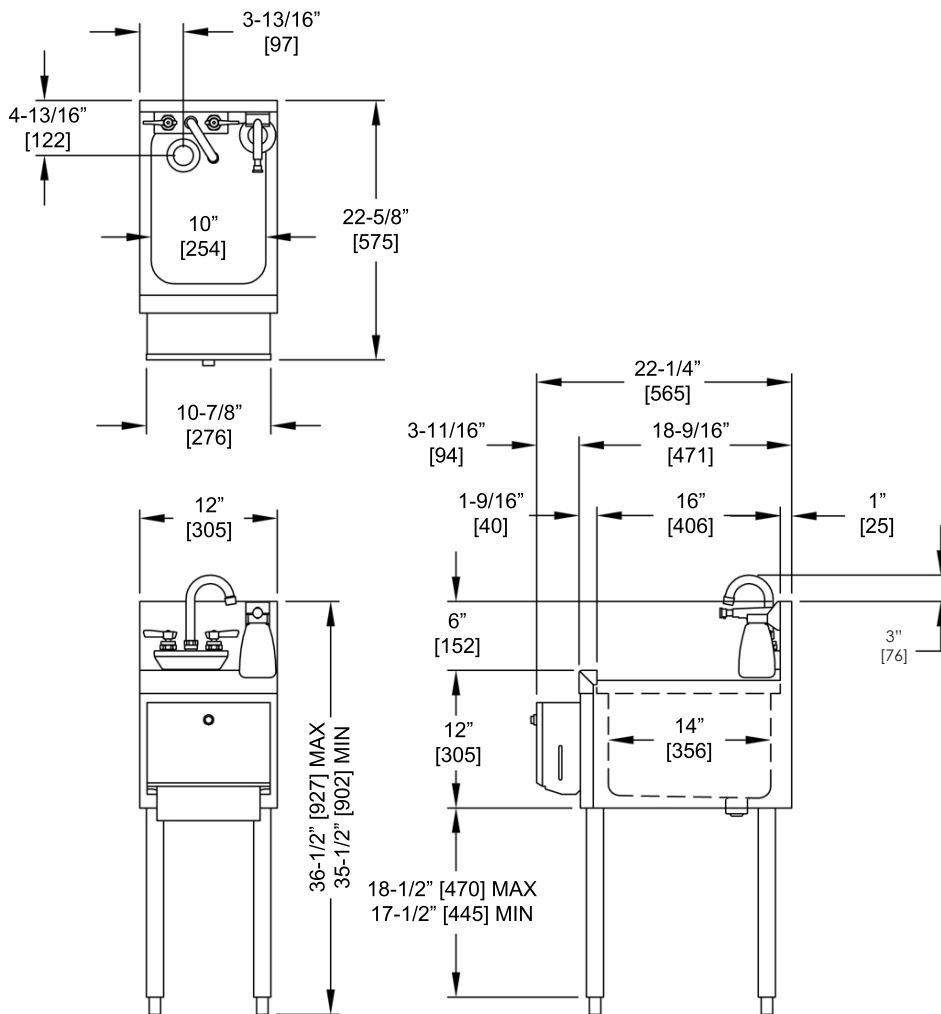
Features

- Deep drawn stainless steel bowl
- NSF listed, commercial grade hot/cold water faucet (must be ordered separately)
- 16 oz. pump soap dispenser
- Underside is sound-deadening
- Stainless steel legs install without tools and have rust-free thermoplastic feet



UNDERBAR SINKS
SINGLE TANK/STAINLESS STEEL BOWL

MODEL NO.	TS12HSN
LENGTH, INCHES (mm)	12 (305)
SHIP WEIGHT, LBS. (kg)	50 (23)
TOP & SIDES	Stainless steel
BACK & BOTTOM	Stainless steel
BACKSPLASH	Stainless steel 6" high (4" high optional) with 1" return at the top, mechanically fastened and sealed to hand sink top with steel support brackets
LEGS	1-5/8" tubular, stainless steel with 1" adjustable thermoplastic feet
BOWL	Stainless steel, 10"x14"x9-1/4" deep. All horizontal and vertical edges 1-1/2" radius with balled corners. Furnished with 1-1/2" stainless steel drain socket. 8-1/2" standpipe. Sound deadening underside.
WATER FAUCET	Hot and cold, heavy-duty all brass construction, chrome plated goose neck swing spout faucet. Must be ordered separately. Lead-free faucet also available.
PLUMBING	Drain connection: 1-1/2" NPS male. Hot and cold water connection



Faucet shown for clarity. Must be ordered separately.