

Perlick® **REFRIGERATED CABINETS**
SELF-CONTAINED DUAL-ZONE BACK BAR REFRIGERATORS



DZS60 shown with optional drawers and full extension wine shelvers



JOB	
AREA	
ITEM NO.	
MODEL NO.	
DZS60	2-Door Model
DZS36	1-Door Model

Note: NSF/ANSI Standard 7 Listed for the storage and display of bottled or canned products only.



DZS36 shown with optional Draft Arms Towers



Shelves and drawers not available for DZS36. Intended for dispensing kegs only.

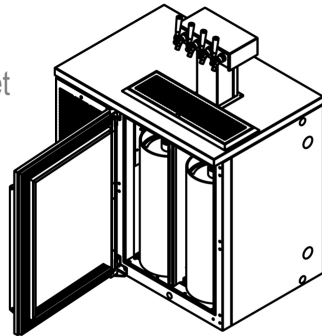
MODEL NUMBERS		DZS36	DZS60
NUMBER OF DOORS		1	2
EXTERIOR CABINET DIMENSIONS	Length - in. (mm)	36 (914)	60 (813)
	Depth - in. (mm)	24¾ (629)	24¾ (629)
	Height - in. (mm)	34⅞ (878)	34⅞ (878)
INTERIOR CABINET DIMENSIONS	Length - in. (mm)	20 (508)	44 (1118)
	Depth - in. (mm)	18¾ (476)	18¾ (476)
	Height - in. (mm)	31 (787)	31 (787)
INTERNAL VOLUME, Net. Cu. Ft. (liters)		7.1 (201)	15.0 (425)
SHIPPING WEIGHT, Lbs. (kg.)		305 (138)	380 (172)
ELECTRICAL SPECIFICATIONS	Electrical Supply	120 VAC/60 Hz/1 Ph	120 VAC/60 Hz/1 Ph
	Running Load Amps	1.8	2.5
	Electrical Connection	Cord Connected	Cord Connected
	Cord Plug Type	NEMA 5-15	NEMA 5-15
	Cord Length	8'	8'
	Defrost Initiation	Automatic	Automatic
	Defrost Type	Off Cycle	Off Cycle
	Thermostat	Digital Control	Digital Control
	Lighting Type	None	LED
REFRIGERATION SPECIFICATIONS	Horsepower	1/6	1/5
	Refrigerant	R290	R290
	Refrigerant Charge (grams)	90	100
	Factory Temperature Setting - Refrigerator F (C)	36° (3.3°)	36° (3.3°)
	Temperature Range - Refrigerator F (C)	34°-42° (1.1°-5.6°)	34°-42° (1.1°-5.6°)
	Factory Temperature Setting - White Wine F (C)	45° (7.2°)	45° (7.2°)
	Factory Temperature Setting - Red Wine F (C)	60° (15.6°)	60° (15.6°)
	Temperature Range - Wine F (C)	40°-65° (4.4°-18.3°)	44°-65° (6.7°-18.3°)
	Condensing Unit Location	Left or Right	Left or Right
	Expansion Device	Capillary Tube	Capillary Tube
	Pull-Out Condensing Unit	Yes	Yes
	Front Vented	Yes	Yes
PLUMBING	Floor Drain Included	No	Yes
	Evaporator Condensate	Automatically	Automatically



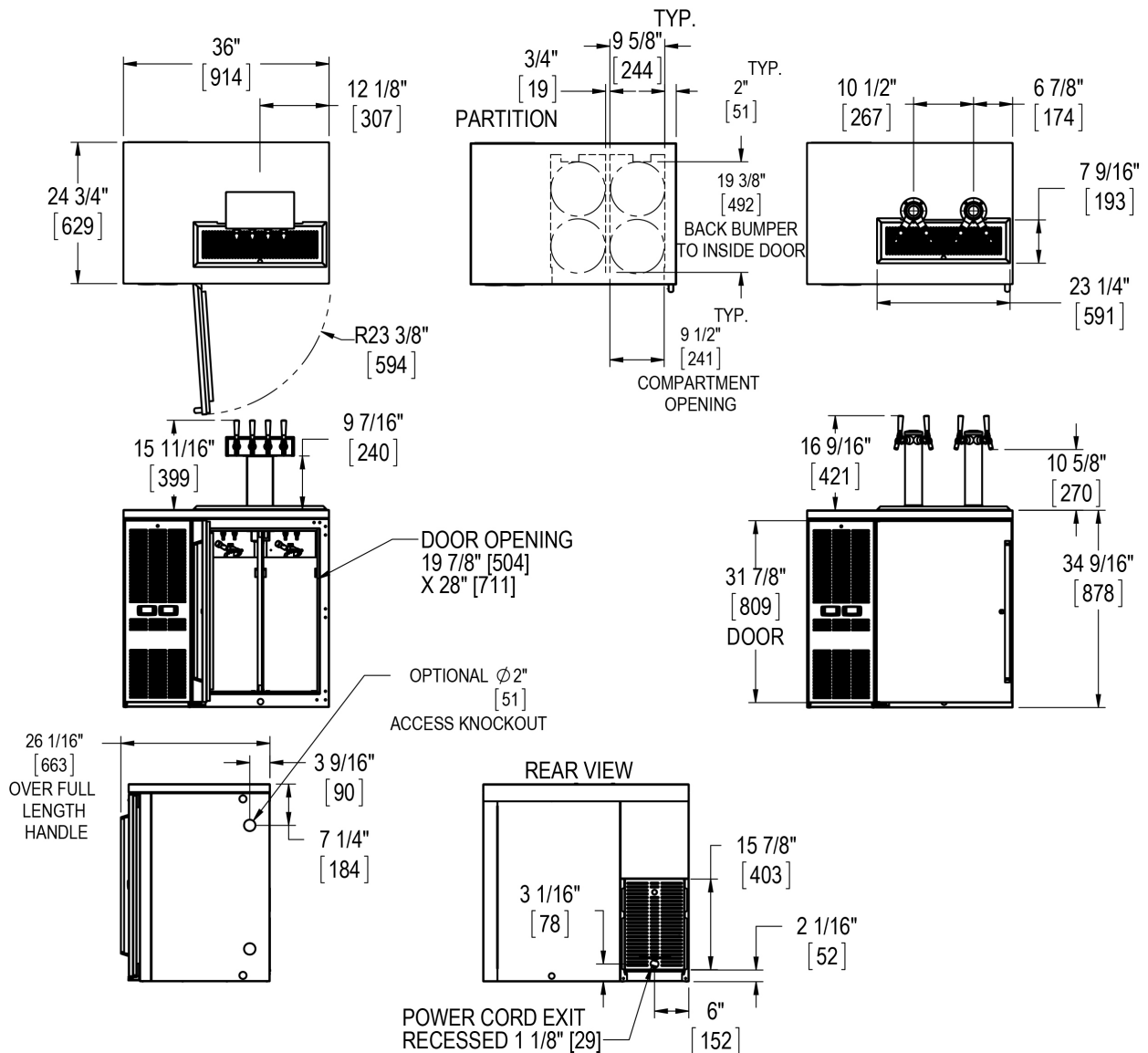
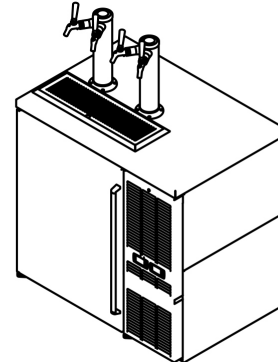
REFRIGERATED CABINETS
SELF-CONTAINED DUAL-ZONE BACK BAR REFRIGERATORS

36" DUAL ZONE

DZS36
UNIT LEFT
with 4 faucet
Tee Tower.



DZS36
UNIT RIGHT
with (2) 2 faucet
Draft Arms.



California Prop 65 Notice:



WARNING: The materials used in this product may contain chemicals known to the State of California to cause cancer and birth defects or other reproductive harm, For more information go to www.P65Warnings.ca.gov.

Form No. Z2602
Rev. 12.18.2018