

Perlick® SELF-CONTAINED DIRECT DRAW



DDS84 shown with optional Draft Arm Towers.



eco friendly
R290 Hydrocarbon Refrigerant

JOB	
AREA	
ITEM NO.	
MODEL NO.	

DDS36	Single Door Model
DDS60	2-Door Model
DDS84	3-Door Model
DDS108	4-Door Model

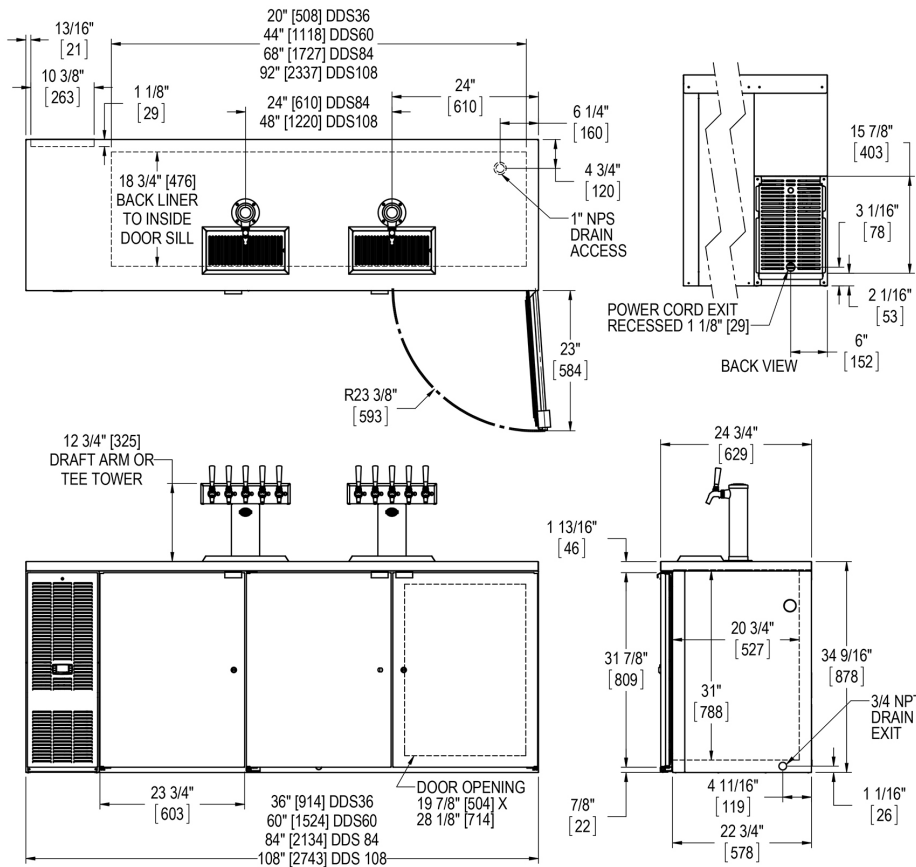
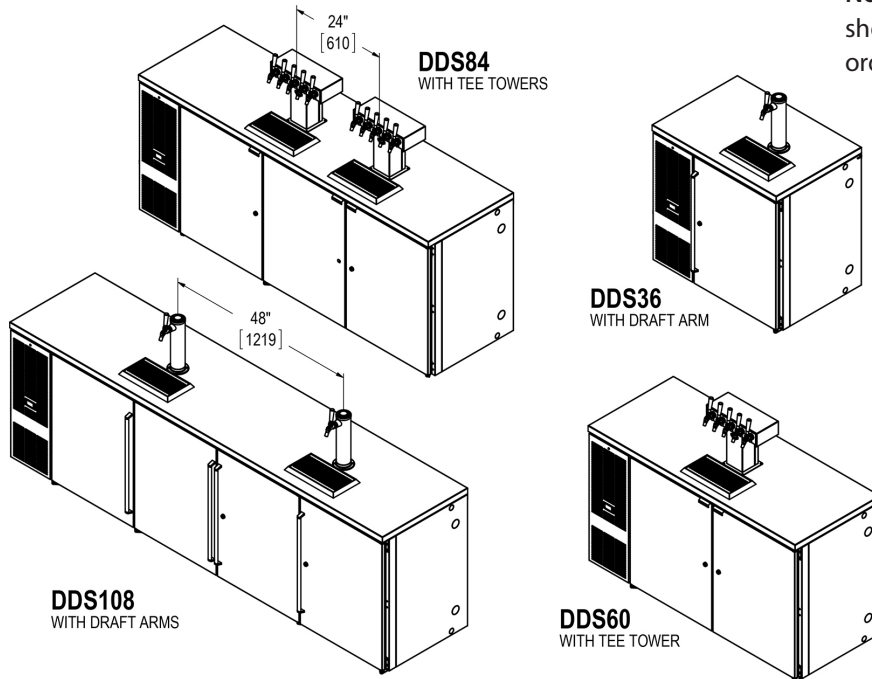
Note: NSF/ANSI Standard 7 Listed for the storage and display of bottled or canned products only.

MODEL NUMBERS		DDS36	DDS60	DDS84	DDS108
NUMBER OF DOORS		1	2	3	4
EXTERIOR CABINET DIMENSIONS	Length - in. (mm)	36 (914)	60 (1524)	84 (2134)	108 (2743)
	Depth - in. (mm)	24¾ (629)	24¾ (629)	24¾ (629)	24¾ (629)
	Height - in. (mm)	34⅞ (878)	34⅞ (878)	34⅞ (878)	34⅞ (878)
INTERIOR CABINET DIMENSIONS	Length - in. (mm)	20 (508)	44 (1118)	68 (1727)	92 (2337)
	Depth - in. (mm)	18¾ (476)	18¾ (476)	18¾ (476)	18¾ (476)
	Height - in. (mm)	31 (787)	31 (787)	31 (787)	31 (787)
* INTERNAL VOLUME, Net. Cu. Ft. (liters)		7.4 (210)	16 (453)	24.8 (702)	33.5 (949)
SHIPPING WEIGHT, Lbs. (kg.)		227 (102)	340 (154)	490 (222)	671 (304)
ELECTRICAL SPECIFICATIONS	Electrical Supply	120 VAC/60 Hz/1 Ph	120 VAC/60 Hz/1 Ph	120 VAC/60 Hz/1 Ph	120 VAC/60 Hz/1 Ph
	Running Load Amps	1.8	2.5	4.2	4.2
	Electrical Connection	Cord connected	Cord connected	Cord connected	Cord connected
	Cord Plug Type	NEMA 5-15	NEMA 5-15	NEMA 5-15	NEMA 5-15
	Cord Length	8'	8'	8'	8'
	Defrost Initiation	Automatic	Automatic	Automatic	Automatic
	Defrost Type	Off cycle	Off cycle	Off cycle	Off cycle
	Thermostat	Digital control	Digital control	Digital control	Digital control
REFRIGERATION SPECIFICATIONS	Horsepower	1/6	1/5	1/4	1/4
	Refrigerant	R290	R290	R290	R290
	Refrigerant Charge (grams)	90	100	90	90
	Factory Temperature Setting - Refrigerator F (C)	38° (3.3°)	38° (3.3°)	38° (3.3°)	38° (3.3°)
	Temperature Range - Refrigerator F (C)	33°-40° (0.5°-4.5°)	33°-40° (0.5°-4.5°)	33°-40° (0.5°-4.5°)	33°-40° (0.5°-4.5°)
	Condensing Unit Location	Left or Right	Left or Right	Left or Right	Left or Right
	Expansion Device	Capillary tube	Capillary tube	Capillary tube	Capillary tube
	Pull-Out Condensing Unit	Yes	Yes	Yes	Yes
	Front Vented	Yes	Yes	Yes	Yes
PLUMBING	Floor Drain Included	Yes	Yes	Yes	Yes
	Evaporator Condensate	Automatically	Automatically	Automatically	Automatically

* Note: For keg capacities and layouts, go to www.perlick.com.

Perlick® SELF-CONTAINED DIRECT DRAW

Note: All Dispensing Towers shown are optional and must be ordered separately.



California Prop 65 Notice:

! **WARNING:** The materials used in this product may contain chemicals known to the State of California to cause cancer and birth defects or other reproductive harm, For more information go to www.P65Warnings.ca.gov.

Form No. 95171
Rev. 12.18.2018