



**DROP-IN ICE CREAM FREEZER**



JOB	
AREA	
ITEM NO.	
MODEL NO.	

<b>MODEL</b>
<b>DROP-IN SERIES</b>
8000B



**eco**friendly  
R290 Hydrocarbon Refrigerant

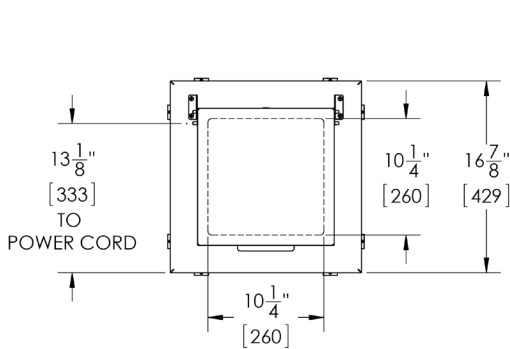
**Perlick Features**

- Mounts into countertop - required cut out dimension is 16" x 16"
- Fits in Perlick Ice Cream Center underbar module TS(D)24DC-A
- 20 gauge stainless steel top and removable hinged door lid
- 3 gallon capacity
- Includes 8' electrical cord
- Temperature range: - 15 ° to + 10 ° F
- Factory set to the optimal ice cream serving temperature of 0 ° F

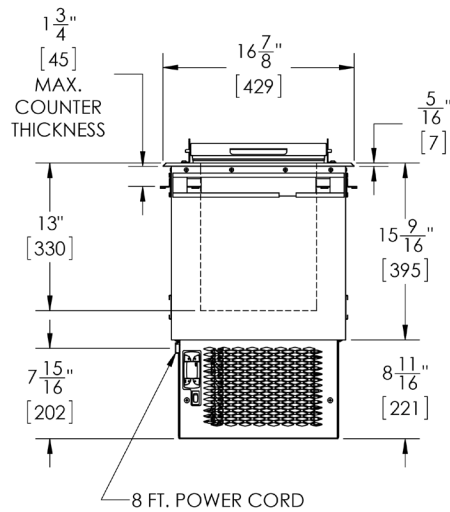


# DROP-IN ICE CREAM FREEZER

MODEL NUMBERS		8000B
EXTERIOR CABINET DIMENSIONS	Height - in. (mm)	26-3/8 (670)
	Width - in. (mm)	16-7/8 (429)
	Depth - in. (mm)	16-7/8 (429)
INTERNAL NET VOLUME - cubic ft. (liters)		Well Dimensions: 13" [330] H x 10-1/4" [260] W x 10-1/4" [260] D
SHIPPING WEIGHT LBS. (KG.)		90 (41)
CABINET CONSTRUCTION (INTERIOR)		All models have stainless steel walls and base.
CABINET CONSTRUCTION (EXTERIOR)		20 gauge stainless steel top and removable hinged door lid
DOORS LID AND HARDWARE		Removable hinged door lid
PLUMBING		No drain required.
INSULATION		2 inch foamed-in-place, environmentally friendly Ecomate® polyurethane insulation. Methyl Formate C2H4O2 Blowing Agent
VENTILATION		For proper air flow allow a minimum of at least 2.5" on the left side, 2.5" on the right side, 4.5" on the rear side, and 6" between bottom of freezer and the the floor. In addition to those clearances above, a minimum 15" X 15" opening to fresh air source is require to allow for proper air circulation around the unit.
TEMPERATURE SPECIFICATIONS	Factory Setpoint - °F [°C]	0 [-17.7]
	Adjustable Setpoint Range - °F [°C]	-15 to 10 [-26.1 to -12.2]
ELECTRICAL SPECIFICATIONS	Supply	115 VAC/60 Hz/1 Ph
	Running Load Amps	1.0 Amps
	Power Cord	8-foot length with NEMA 5-15 plug.
	Thermostat	NSF Listed electronic control.
REFRIGERATION SPECIFICATIONS	Expansion Device	Capillary Tube
	Refrigerant	R290
	Refrigerant Charge (g)	55g
	Compressor H.P.	1/6 H.P.
	Total Heat of Rejection At 75°F ambient (BTU/h)	205 BTU/hr



**REQUIRED CUT-OUT SIZE:  
16" X 16" [407 X 407]**



8 FT. POWER CORD

