

EXTRA CAPACITY ICE CHESTS WITHOUT COLD PLATE

MODELS

TS Series

- TS24IC-EC
- TS30IC-EC
- TS36IC-EC

MODELS

TSD Series

- TSD24IC-EC
- TSD30IC-EC
- TSD36IC-EC



Perlick Features

- Dent resistant ABS top ledge
- Stainless steel legs install without tools and have “Rust Free” thermoplastic feet.

Form No. IC05-1
Rev. 07.22.2011



8300 West Good Hope Road • Milwaukee, WI 53223 • Phone 414.353.7060 • Fax 414.353.7069
Toll Free 800.558.5592 • E-Mail perlick@perlick.com • www.perlick.com

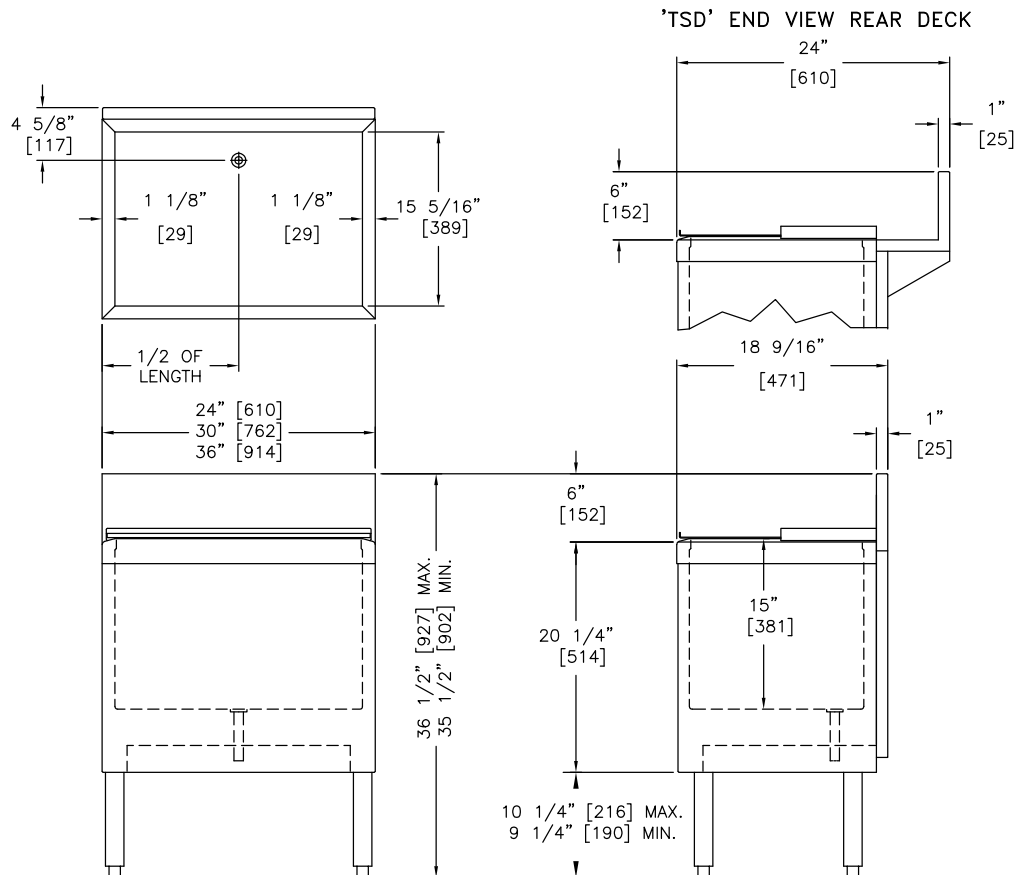
Size and Specifications

Extra Capacity Ice Chest without Cold Plate

Job _____
 Area _____
 Item No. _____
 Model No. _____

MODEL NOS.	TS(D)24IC-EC	TS(D)30IC-EC	TS(D)36IC-EC
LENGTH IN. (mm)	24" (610)	30" (762)	36" (914)
ICE CAP. lbs. (kg)	75 (34)	95 (43.1)	115 (52.2)
SHIP WT. lbs. (kg)	100 (45.4)	110 (49.9)	120 (54.4)
FRONT & SIDES	Stainless steel, top rim ABS		
BACKSPLASH	Stainless steel 6" high with 1" return at top, mechanically fastened and sealed to ice chest top with steel support brackets.		
BACK & BOTTOM	Galvanized steel		
INTERIOR	Stainless steel with 1/4" radius corners, welded and sealer with non-exposed cold plate. Interiors can be divided with freestanding ice dividers.		
INSULATION	Foamed-in-place polyurethane		
LEGS (optional)	1-5/8" tubular, stainless steel with 1" adjustable thermoplastic foot.		
PLUMBING	Drain connection- 1/2" NPS male		
ACCESSORIES	Covers, bottle well & cover kits, condiment trays, soda chases		

COVERS NOT INCLUDED



Form No. IC05-1
 Rev. 07.22.2011



8300 West Good Hope Road • Milwaukee, WI 53223 • Phone 414.353.7060 • Fax 414.353.7069
 Toll Free 800.558.5592 • E-Mail perlick@perlick.com • www.perlick.com

Perlick is committed to continuous improvement. Therefore, we reserve the right to change specifications without prior notice