



**REMOTE NARROW DOOR BACK BAR REFRIGERATOR**  
2-, 3- and 4-Door



BBRN40 shown

JOB	
AREA	
ITEM NO.	
MODEL NO.	

MODELS	
BBRN40	2-Door Model
BBRN60	3-Door Model
BBRN80	4-Door Model

NSF/ANSI Standard 7 Listed for open food storage.  
Note: All remote back bars are made to order and non-returnable.

**KEY PRODUCT FEATURES AND BENEFITS**

- Remote back bar refrigerators allow customers to mount the compressor in an alternate location, ideal for remote servicing and noise isolation
- 16" Doors, 20% smaller than standard, to accommodate tight working spaces behind the bar
- Stainless steel interior and top standard on all Perlick Back Bar refrigeration for long life durability and easy to clean hygienic storage
- 2" foamed-in-place eco-friendly insulation provides energy savings with zero ozone depletion
- NSF/ANSI Standard 7 Listed for open food, beverage, and garnish storage
- Anti-Sweat heaters in cabinet face prevents condensation from forming on door, extending door gasket life and protecting flooring below from damage or slip hazards
- Multiple door styles available in any compartment
  - Choose between Glass, Stainless-Steel, Black Vinyl, or Customer Provided Overlay
  - Drawers not available on remote models

**Quick Features:**

- Configurable to accommodate tapping from any compartment
- Integrated door locks standard on all units
- Optional condensing units available
- NSF Rated digital controller allows for easy and precise temperature changes
- Choose between three temperature ranges
  - Refrigerator (34°F-42°F) Factory set to 38°F
  - White Wine (40°F-65°F) Factory set to 45°F
  - Red Wine (40°F-65°F) Factory set to 60°F
- Choose between 6000K white LED lighting or cool blue display lighting
- Choose between flat shelving and wine racks for each compartment
- Choose between Full Length, 6" Chrome, or pull tab style handles
- 1 Year Parts and Labor Warranty, 5 Year Compressor Warranty
- Made in USA



**REMOTE NARROW DOOR BACK BAR REFRIGERATOR**  
2-, 3- and 4-Door

MODEL NUMBERS - BBRN40, BBRN60, BBRN80

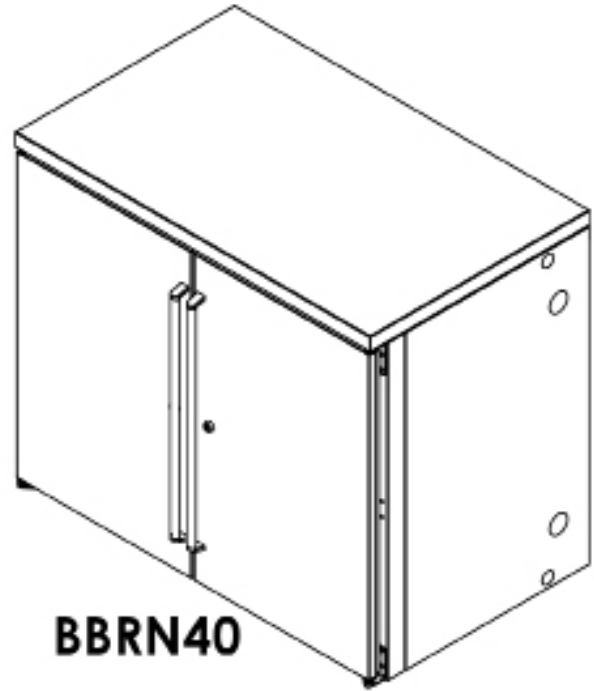
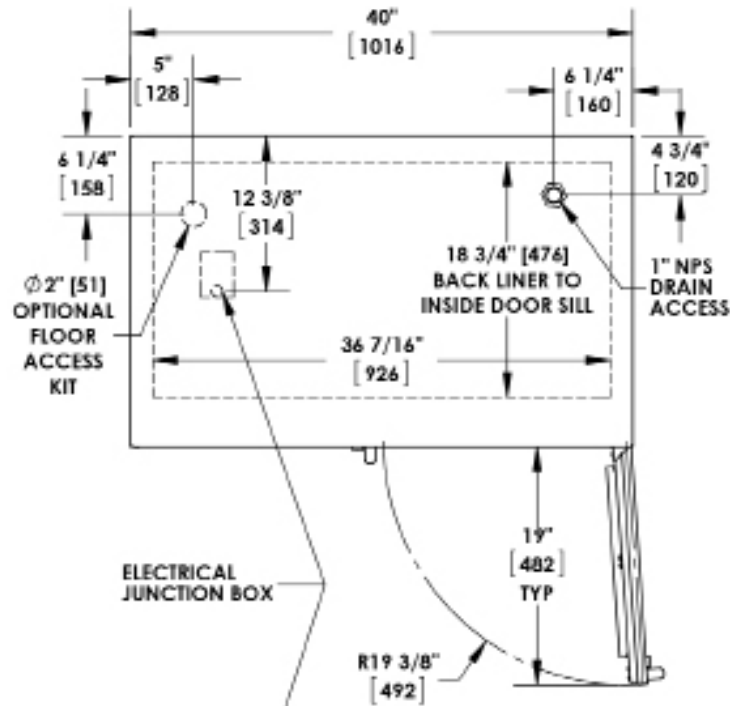
MODEL NUMBERS		BBRN40	BBRN60	BBRN80
<b>NUMBER OF DOORS</b>		2	3	4
<b>EXTERIOR CABINET DIMENSIONS</b>	<b>Length - in. (mm)</b>	40 (1016)	60 (1524)	80 (2032)
	<b>Depth - in. (mm)</b>	24¾ (629)	24¾ (629)	24¾ (629)
	<b>Height - in. (mm)</b>	34⅞ (878)	34⅞ (878)	34⅞ (878)
<b>INTERIOR CABINET DIMENSIONS</b>	<b>Length - in. (mm)</b>	36⅞ (926)	56⅞ (1434)	76⅞ (1942)
	<b>Depth - in. (mm)</b>	18¾ (476)	18¾ (476)	18¾ (476)
	<b>Height - in. (mm)</b>	31 (787)	31 (787)	31 (787)
<b>INTERNAL VOLUME Net. Cu. Ft. (Litres)</b>		12.0 (340)	19.0 (538)	26.8 (759)
<b>PRODUCT CAPACITY</b>	<b>CASE PACKED - 12 OZ. BOTTLE/CAN</b>	269/441	458/705	617/955
	<b>STAGGERED - 12 OZ. BOTTLE/CAN</b>	289/472	495/757	668/1026
<b>SHIPPING WEIGHT Lbs. (kg.)</b>		261 (118)	342 (155)	444 (201)
<b>ELECTRICAL SPECIFICATIONS</b>	<b>Electrical Supply</b>	120 VAC/60 Hz/1 Ph	120 VAC/60 Hz/1 Ph	120 VAC/60 Hz/1 Ph
	<b>Running Load Amps</b>	1.6	2	2.5
	<b>Electrical Connection</b>	Hard wired	Hard wired	Hard wired
	<b>Defrost Initiation</b>	Automatic	Automatic	Automatic
	<b>Defrost Type</b>	Off cycle	Off cycle	Off cycle
	<b>Lighting Type</b>	LED	LED	LED
<b>REFRIGERATION SPECIFICATIONS</b>	<b>Horsepower</b>	1/4	1/3	1/3
	<b>Expansion Device</b>	TXV	TXV	TXV
	<b>Evaporator Capacity - Remotes</b>	1900 Btu/Hr @ 20° F Evaporator	2300 Btu/Hr @ 20° F Evaporator	2300 Btu/Hr @ 20° F Evaporator
	<b>Remote Refrigerant Options</b>	R134a & R404a	R134a & R404a	R134a & R404a
<b>PLUMBING</b>	<b>Evaporator Condensate</b>	Field plumbed	Field plumbed	Field plumbed

Wine Temperature refrigerators do not carry NSF Rating for open food storage.  
Wine Temperature units are NSF certified for non-potentially hazardous bottled and canned beverage storage.

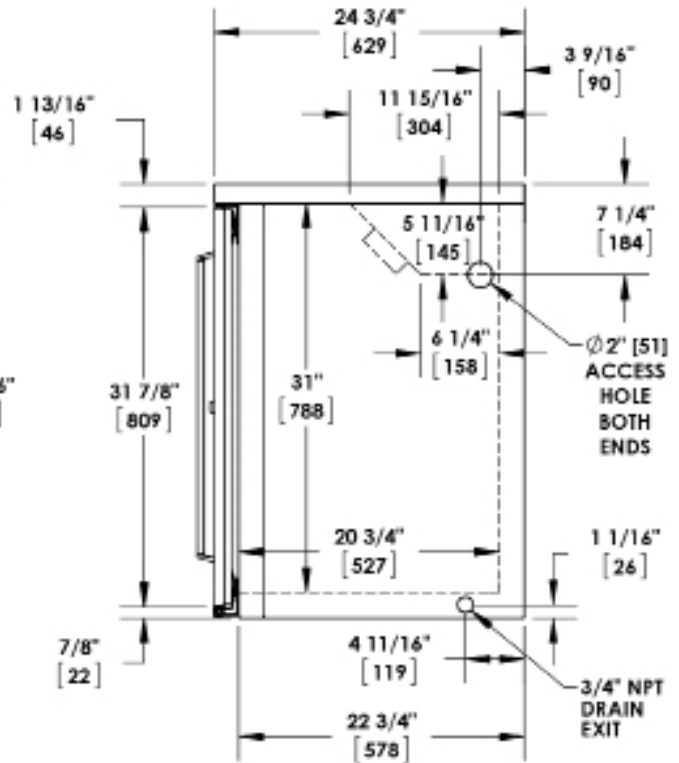
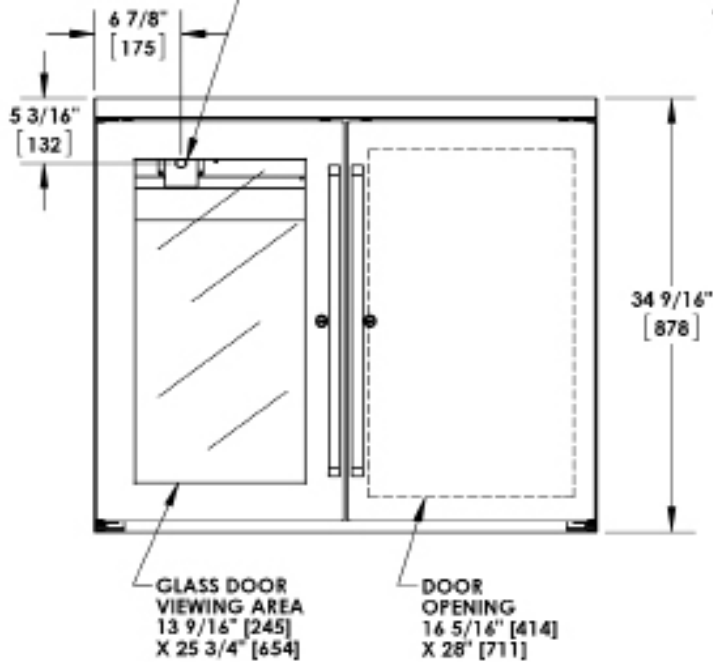


**REMOTE NARROW DOOR BACK BAR REFRIGERATOR**  
2-, 3- and 4-Door

Note: Open floor drain not provided on models intended for non-packaged food.



**BBRN40**



**California Prop 65 Notice:**

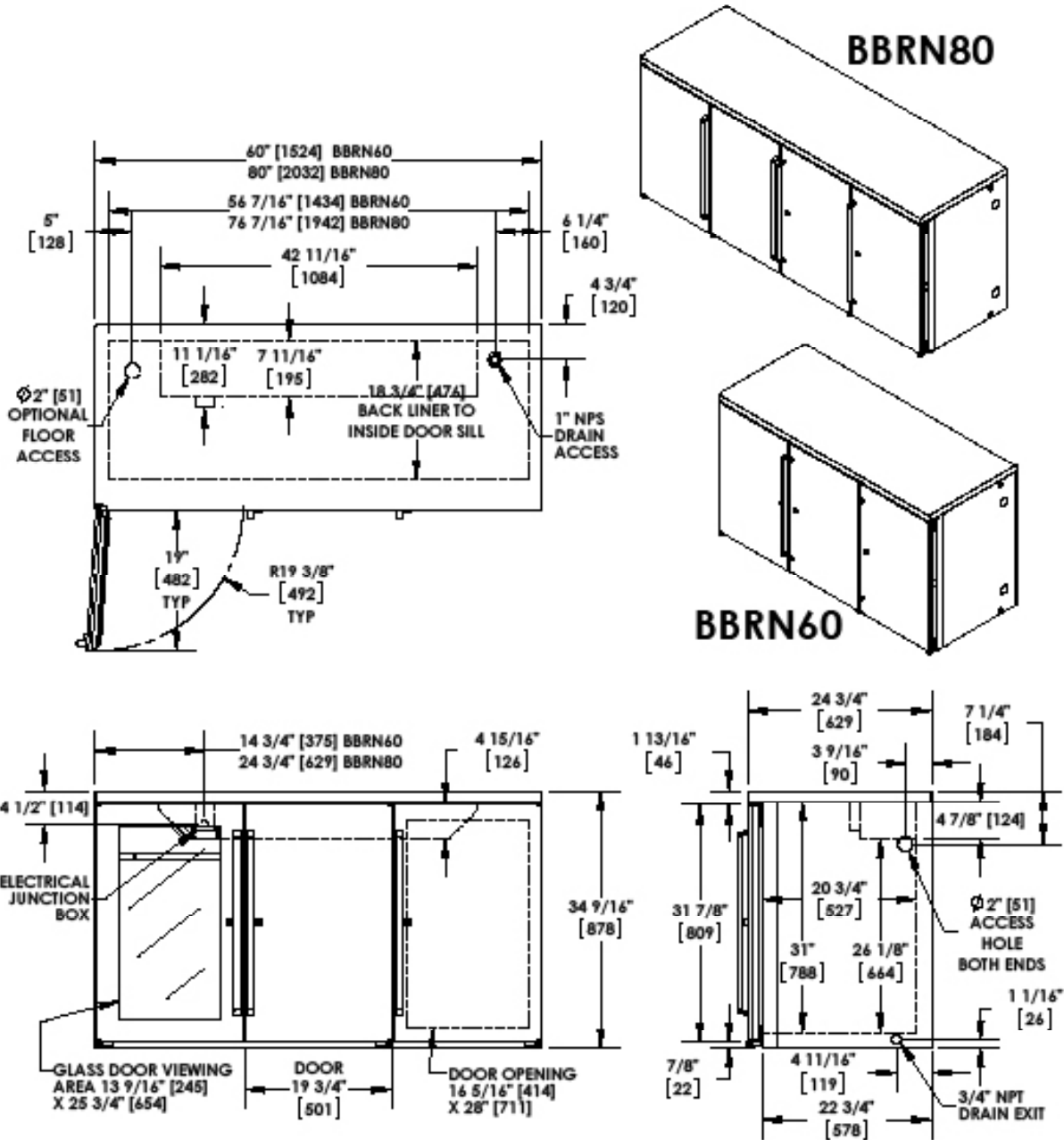
**WARNING:** The materials used in this product may contain chemicals known to the State of California to cause cancer and birth defects or other reproductive harm. For more information go to [www.P65Warnings.ca.gov](http://www.P65Warnings.ca.gov).

Form No. 95175  
Rev. 04.22.2021



**REFRIGERATED CABINETS**  
*Self-Contained Dual-Zone Back Bar Refrigerators*

Note: Open floor drain not provided on models intended for non-packaged food.



**California Prop 65 Notice:**

**WARNING:** The materials used in this product may contain chemicals known to the State of California to cause cancer and birth defects or other reproductive harm. For more information go to [www.P65Warnings.ca.gov](http://www.P65Warnings.ca.gov).

Form No. Z2602  
 Rev. 04.22.2021