



**John
BOOS**
Since 1887

ITEM #: _____ QTY: _____

MODEL #: _____

PROJECT NAME: _____

021021

3601 S. Banker St. Effingham, IL 62401 • P.O. BOX 609 • Ph: (888) 431-2667 • Fax: (800) 433-2667



"PBHS-W-KV1APS" HAND SINK

KNEE ACTIVATED FAUCET WITH HINGED FRONT APRON

FEATURES:

- ONE PIECE DEEP DRAWN BOWL WITH LARGE RADII CORNERS
- INCLUDES 3.5" SPLASH MOUNT GOOSENECK FAUCET
- KNEE ACTIVATED FAUCET WITH HINGED FRONT APRON
- INCLUDES BASKET DRAIN
- LEFT AND RIGHT HAND SIDE SPLASHES ON -SSLR MODEL

CONSTRUCTION:

- BOWL: STAINLESS STEEL TOPS ARE TIG WELDED, EXPOSED WELDS ARE POLISHED TO MATCH ADJACENT SURFACE

MATERIAL:

- BOWL: TYPE 300 STAINLESS STEEL WITH #4 POLISH, STAIN FINISH
- BRACKET: TYPE 300 STAINLESS STEEL WITH #4 POLISH, SATIN FINISH



PBHS-W-1410-KV1APS-SS



PBHS-W-1410-KV1APS

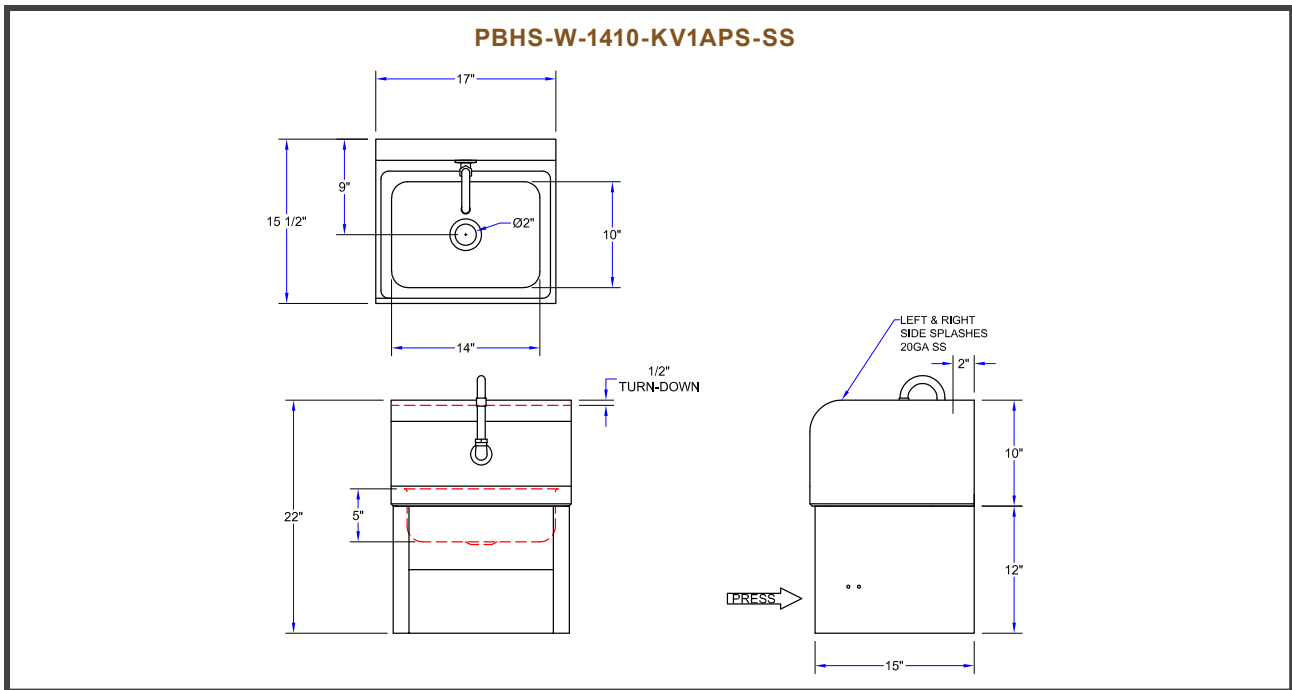
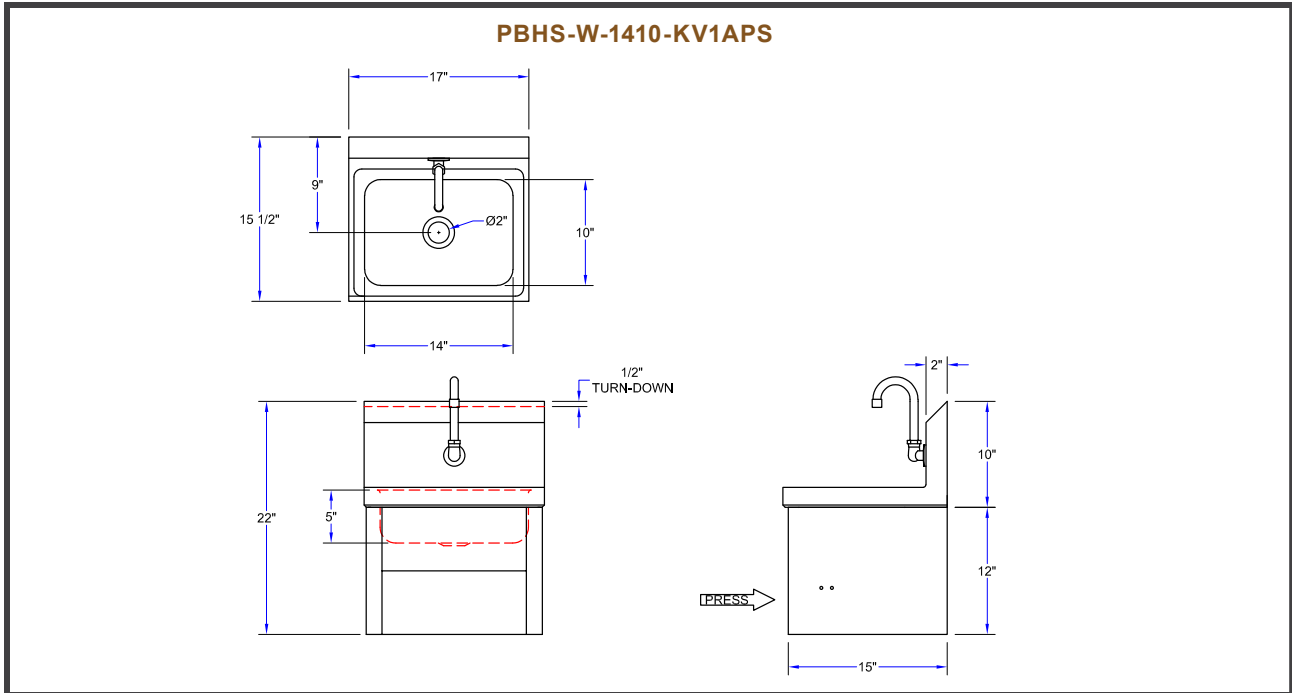


KNEE ACTIVATED FAUCET
WITH HINGED FRONT APRON

HAND SINK WITH KNEE ACTIVATED FAUCET WITH HINGED FRONT APRON

MODEL #	QTY
PBHS-W-1410-KV1APS	
PBHS-W-1410-KV1APS-SS	

DETAILED SPECIFICATIONS



HAND SINK WITH KNEE ACTIVATED FAUCET WITH HINGED FRONT APRON

MODEL #	BOWL SIZE (LxWxD)	SINK SIZE (LxWxD)	DRAIN SIZE	FAUCET LOCATION	SIDE SPLASH
PBHS-W-1410-KV1APS	14" X 10" X 5"	17" X 15-1/2" X 22"	1-7/8"	SPLASH MOUNT 1 HOLE CENTERED	N/A
PBHS-W-1410-KV1APS-SS	14" X 10" X 5"	17" X 15-1/2" X 22"	1-7/8"	SPLASH MOUNT 1 HOLE CENTERED	LH & RH

SOME UNITS SHIP UNASSEMBLED FOR REDUCED SHIPPING COST. ALL DIMENSIONS ARE TYPICAL. TOLERANCE +/- .500"
 John Boos & Co. is constantly engaged in a program of improving products and therefore reserves the right to change specifications without prior notice.



3601 S. Banker St. • Effingham, IL 62401 • PO BOX 609 • quotes@johnboos.com

www.johnboos.com

021021

775