



ITEM #: _____ QTY: _____
 MODEL #: _____
 PROJECT NAME: _____

051320

3601 S. Banker St. Effingham, IL 62401 • P.O. BOX 609 • Ph: (888) 431-2667 • Fax: (800) 433-2667

"PBHS-W-0909-TD-SSLR" HAND SINK WITH TOWEL DISPENSER



FEATURES:

- FABRICATED SINK BOWL
- INCLUDES BASKET DRAIN
- DECK MOUNT FAUCET HOLES, 4" ON-CENTER
- 1-1/2" DRAIN PLUMBING CONNECTION
- FOLD OUT TOWEL DISPENSER IN APRON WITH MAGNETIC CATCHES, FOR C-FOLD TOWELS

CONSTRUCTION:

- BOWL: STAINLESS STEEL TOPS ARE TIG WELDED, EXPOSED WELDS ARE POLISHED TO MATCH ADJACENT SURFACE

MATERIAL:

- BOWL: TYPE 300 STAINLESS STEEL POLISH, SATIN FINISH
- SIDE SPLASHES: TYPE 300 STAINLESS STEEL POLISH, SATIN FINISH
- APRON: TYPE 300 STAINLESS STEEL POLISH, SATIN FINISH

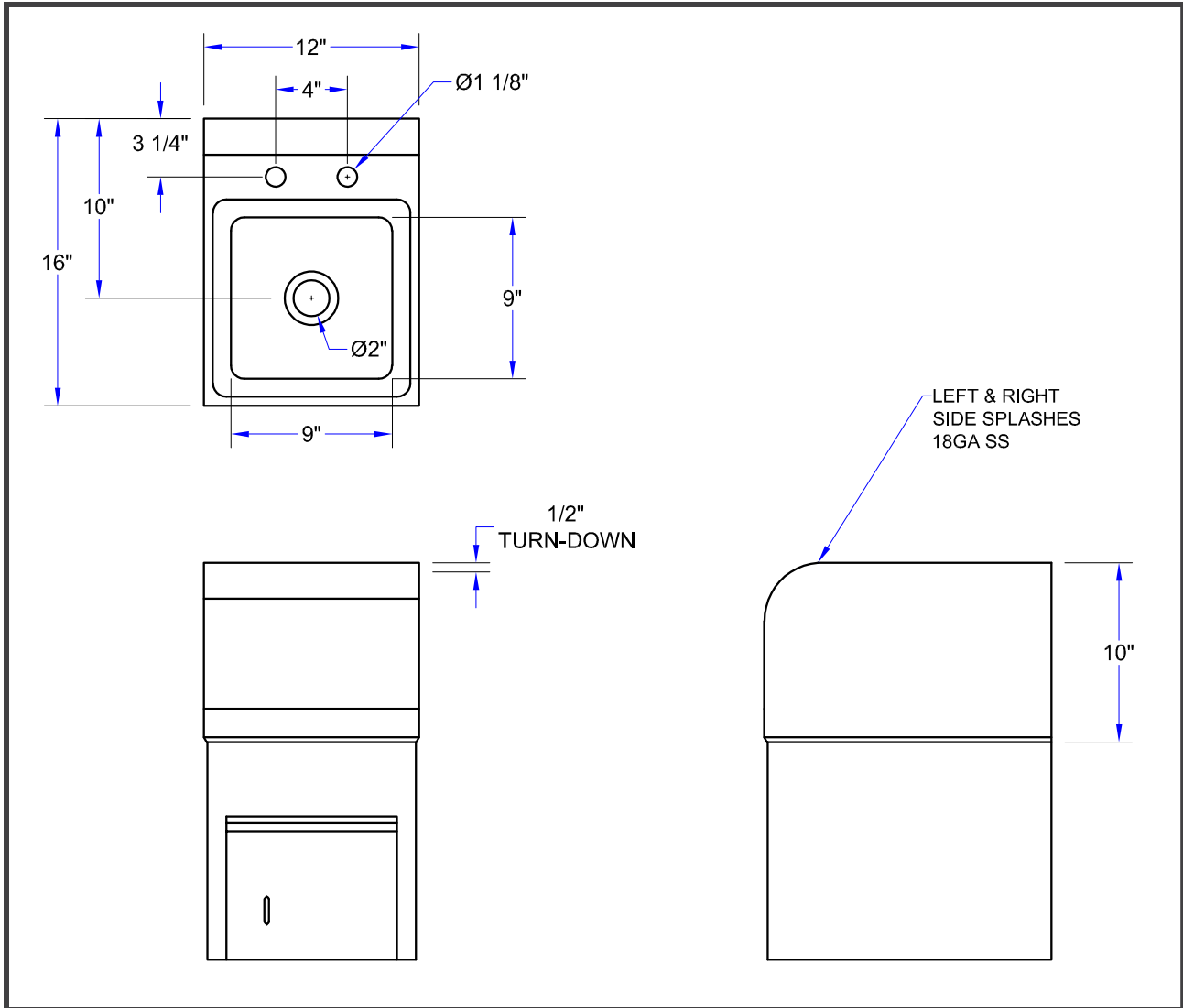


PBHS-W-0909-TD-SSLR

HAND SINK WITH TOWEL DISPENSER

MODEL #	QTY
PBHS-W-0909-TD-SSLR	

DETAILED SPECIFICATIONS



HAND SINK WITH TOWEL DISPENSER

MODEL #	BOWL SIZE (LxWxD)	SINK SIZE (LxWxD)	DRAIN SIZE	FAUCET LOCATION	SIDE SPLASH
PBHS-W-0909-TD-SSLR	9" X 9" X 5"	12" X 16" X 22"	2"	DECK MOUNT – 4" ON-CENTER	LH & RH

SOME UNITS SHIP UNASSEMBLED FOR REDUCED SHIPPING COST. ALL DIMENSIONS ARE TYPICAL. TOLERANCE +/- .500"
 John Boos & Co. is constantly engaged in a program of improving products and therefore reserves the right to change specifications without prior notice.



3601 S. Banker St. • Effingham, IL 62401 • PO BOX 609 • quotes@johnboos.com

032520

www.johnboos.com

786