



**John  
BOOS**  
Since 1887

ITEM #: \_\_\_\_\_ QTY: \_\_\_\_\_

MODEL #: \_\_\_\_\_

PROJECT NAME: \_\_\_\_\_

103020

3601 S. Banker St. Effingham, IL 62401 • P.O. BOX 609 • Ph: (888) 431-2667 • Fax: (800) 433-2667

## **"PBHS-0909-KVMB" PRO-BOWL HAND SINKS - HANDS FREE**



### **FEATURES:**

- ONE PIECE DEEP DRAWN BOWL
- ALL SINK BOWLS HAVE LARGE LIBERAL RADII CORNERS
- INCLUDES BASKET DRAIN
- SPLASH MOUNT - ONCE FAUCET HOLE ON CENTER
- 1-1/2" DRAIN PLUMBING CONNECTION
- INCLUDES GOOSENECK SPOUT AND SINGLE OR DOUBLE PEDAL KNEE VALVE



PBHS-W-0909-KV2MB

### **CONSTRUCTION:**

- BOWL: STAINLESS STEEL TOPS ARE TIG WELDED, EXPOSED WELDS ARE POLISHED TO MATCH ADJACENT SURFACE.

### **MATERIAL:**

- BOWL: TYPE 300 STIANLESS STEEL POLISHED, SATIN FINISH
- BRACKET: TYPE 300 STIANLESS STEEL POLISHED, SATIN FINISH



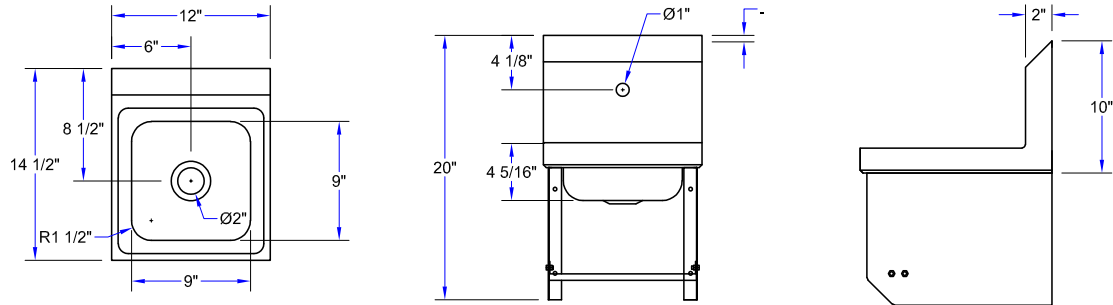
PBHS-W-0909-KV2MB-SS

### **PRO-BOWL HAND SINKS - HANDS FREE**

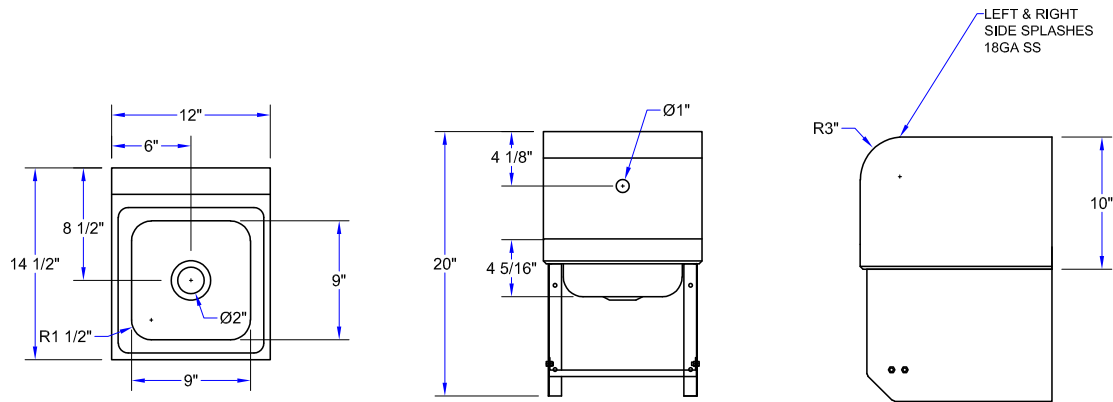
MODEL #	QTY
PBHS-W-0909-KV1MB	
PBHS-W-0909-KV1MB-SS	
PBHS-W-0909-KV2MB	
PBHS-W-0909-KV2MB-SS	

# DETAILED SPECIFICATIONS

**PBHS-W-0909-KV1MB**



**PBHS-W-0909-KV2MB-SS**



## PRO-BOWL HAND SINKS - HANDS FREE

MODEL #	BOWL SIZE (LxWxD)	FAUCET LOCATION	SIDE SPLASH	KNEE VALVES
PBHS-W-0909-KV1MB	9" X 9" X 5"	1 HOLE CENTERED (GOOSE NECK SPOUT & KNEE VALVE INCLUDED.)	N/A	SINGLE
PBHS-W-0909-KV1MB-SS	9" X 9" X 5"	1 HOLE CENTERED (GOOSE NECK SPOUT & KNEE VALVE INCLUDED.)	LH & RH	SINGLE
PBHS-W-0909-KV2MB	9" X 9" X 5"	1 HOLE CENTERED (GOOSE NECK SPOUT & KNEE VALVES INCLUDED.)	N/A	DOUBLE
PBHS-W-0909-KV2MB-SS	9" X 9" X 5"	1 HOLE CENTERED (GOOSE NECK SPOUT & KNEE VALVES INCLUDED.)	LH & RH	DOUBLE

SOME UNITS SHIP UNASSEMBLED FOR REDUCED SHIPPING COST. ALL DIMENSIONS ARE TYPICAL. TOLERANCE +/- .500"  
 John Boos & Co. is constantly engaged in a program of improving products and therefore reserves the right to change specifications without prior notice.



3601 S. Banker St. • Effingham, IL 62401 • PO BOX 609 • quotes@johnboos.com

[www.johnboos.com](http://www.johnboos.com)