

JOB _____ ITEM # _____ QTY # _____

MODEL NUMBER

- OTA-1
- OTA-2
- OTA-3



OTA-1

SERIES OTA (OMNITOP AMBIENT) SELF SERVICE

Piper Products Series OTA Ambient Merchandising Cabinets provide self-service for a wide variety of foods, while displaying them attractively in a way sure to attract customers.

CONSTRUCTION

The display section is rigidly constructed of stainless steel, with the front open to expedite self-service. The rear is closed by means of a glass door which is hinged for cleaning and re-stocking. Both ends are closed with fixed glass panels. The glass panels are all mounted to two stainless steel uprights at the rear, with plastic inserts isolating the glass from the uprights. Three glass shelves are mounted, using stainless steel toothed racks adjustable in height. In addition, the base is recessed for additional food storage. Fluorescent lights are mounted in a fixture at the top of the display to illuminate the food.

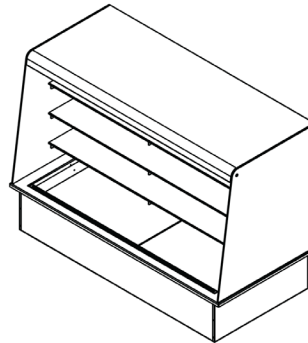
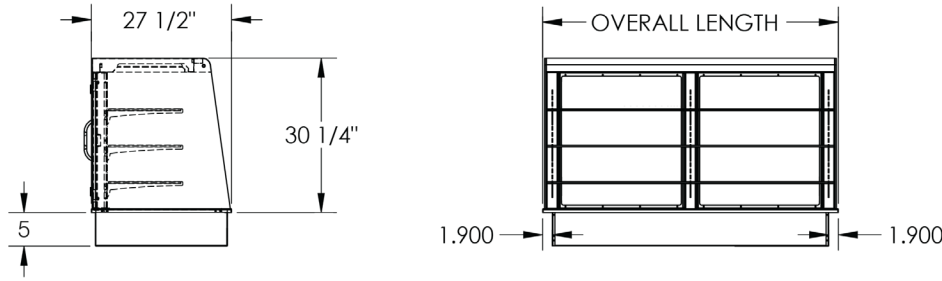
The rear doors are hinged and can be swung out for re-stocking and for cleaning.

The display section sits on a base. Around the base, near its top, a flange is provided to support the unit when it is installed in a cabinet or a counter.

CAPACITY

Capacity depends on the types of food and their containers.

SPEC R-4-B**PIPER PRODUCTS**
BUILT TO LAST
www.piperonline.net300 S. 84th Avenue
Wausau, WI 54401
Phone: 800-544-3057
Fax: 715-842-3125



AMBIENT, DROP-IN

Model	Overall Length	Overall Width	Ht Above Counter	Ht Below Counter	Counter Cutout (L x W)	Volts/Phase	Amps	Plug Nema #
OTA-1	32.3"	27.5"	30.25"	5"	29.75" x 26.25"	208/1	.07	6-15p
OTA-2	45.3"	27.5"	30.25"	5"	42.5" x 26.25"	208/1	.11	6-15p
OTA-3	58"	27.5"	30.25"	5"	55.375" x 26.25"	208/1	.14	6-15p

OPTIONS

- Roll Down Night Cover.
- Piper Products can provide counters or cabinets with the OTA unit pre-mounted. Consult factory for further information and pricing.

R-4-B **SPEC**

PIPER PRODUCTS
BUILT TO LAST
www.piperonline.net

300 S. 84th Avenue
Wausau, WI 54401
Phone: 800-544-3057
Fax: 715-842-3125

LIMITED WARRANTY: PIPER PRODUCTS warrants to the original purchaser parts and labor for a period of twelve (12) months from the date of purchase. See manufacturer's complete warranty for details.

It is our policy to build equipment which is design certified by companies that have been accredited at the Federal Level by the Occupational Safety and Health Agency (OSHA) and ANSI as a National Recognized Testing Laboratory. These companies include CSA International, Underwriters Laboratories, and the National Sanitation Foundation. However, a continuing program of product improvement makes it necessary to submit new models to the agencies as they are developed. Consequently, all models may not bear the appropriate labels at all times.

We reserve the right to change specifications and product design without notice. Such revisions do not entitle buyer to corresponding changes, improvements, additions or replacements for previously purchased equipment. Information is not for design purposes.