



ITEM #: \_\_\_\_\_ QTY: \_\_\_\_\_  
 MODEL #: \_\_\_\_\_  
 PROJECT NAME: \_\_\_\_\_

071619

3601 S. Banker St. Effingham, IL 62401 • P.O. BOX 609 • Ph: (888) 431-2667 • Fax: (800) 433-2667

## **"OSC1R" SINGLE OVERSHELVES - CANTILEVERED SERIES**

### **16GA W/ RISER TOP**

#### **FEATURES:**

- STAINLESS STEEL SHELF WITH STALLION SAFETY EDGE ON FRONT AND 1.5" TURNUP ON REAR
- 16 GAUGE, TYPE 300 STAINLESS STEEL WITH #4 POLISH, SATINSINISH
- UPRIGHTS ARE 1-1/2" SQUARE 14 GAUGE TUBING, TYPE 300 STAINLESS STEEL WITH #4 POLISH, SATIN FINISH
- SINGLE OVERSHELVES ARE MOUNTED 18" ABOVE TABLE TOP
- OVERSHELVES FEATURE KNOCKDOWN SETUP
- ALL MODELS ARE APPROVED BY THE NATIONAL SANITATION FOUNDATION

#### **CONSTRUCTION:**

- STAINLESS STEEL OVERSHELVES ARE TIG WELDED
- EXPOSED WELDS ARE POLISHED TO MATCH ADJACENT SURFACES

#### **MATERIAL:**

- SHELF: 16 GAUGE, TYPE 300 STAINLESS STEEL, #4 POLISH, SATIN FINISH
- UPRIGHTS: 1-1/2" ROUND O.D., 14 GAUGE TYPE 300 TUBULAR STAINLESS STEEL #4 POLISH, SATIN FINISH

#### **ACCESSORIES:**

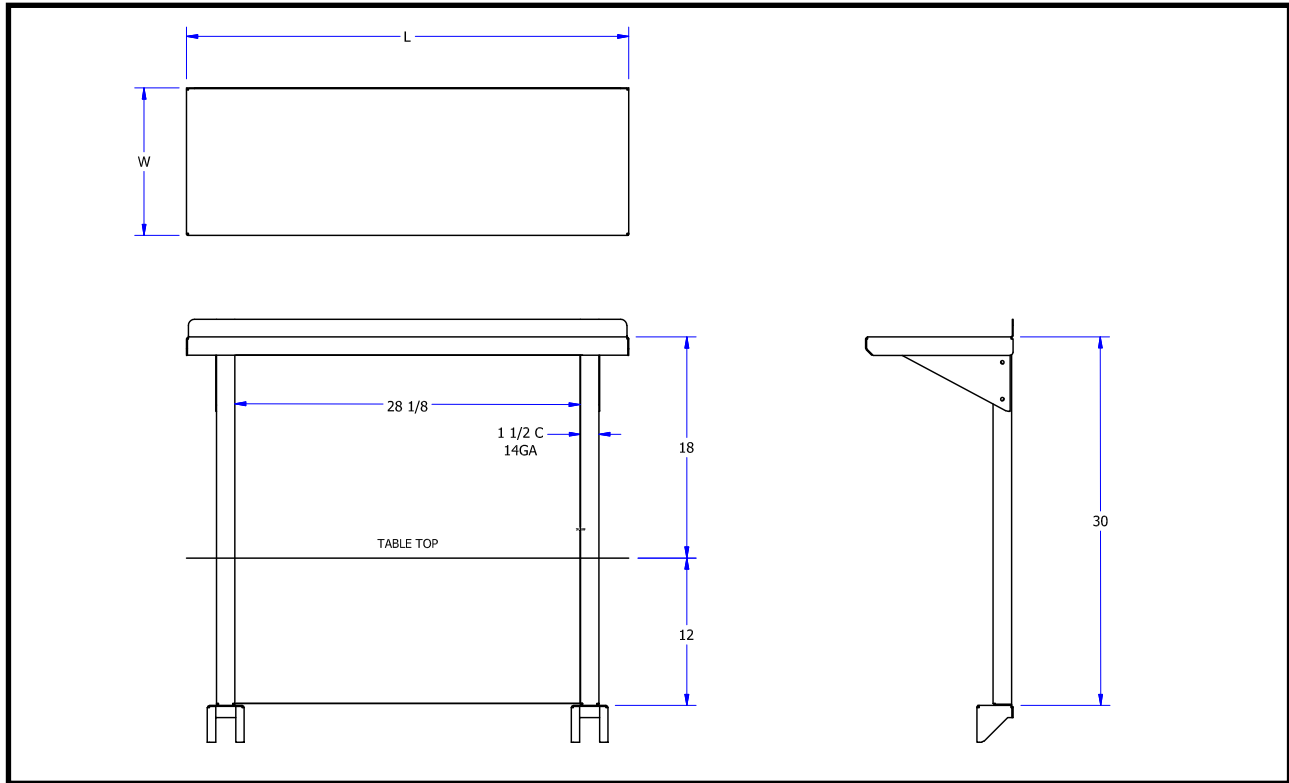
- HEAT LAMP PROVISION: OSEHLP-6XX  
 6=WIDTH OF PROVISION, XX=NOMINAL LENGTH OF SHELF



### **SINGLE OVERSHELVES - CANTILEVERED SERIES**

12" WIDTH	QTY	18" WIDTH	QTY
OSC16RK-1236		OSC16RK-1836	
OSC16RK-1248		OSC16RK-1848	
OSC16RK-1260		OSC16RK-1860	
OSC16RK-1272		OSC16RK-1872	
OSC16RK-1284		OSC16RK-1884	
OSC16RK-1296		OSC16RK-1896	
OSC16RK-12108		OSC16RK-18108	
OSC16RK-12120		OSC16RK-18120	
OSC16RK-12132		OSC16RK-18132	
OSC16RK-12144		OSC16RK-18144	

# DETAILED SPECIFICATIONS



## SINGLE OVERSHELVES - CANTILEVERED SERIES

LENGTH	12" WIDTH	WEIGHT (LBS)	18" WIDTH	WEIGHT (LBS)
36"	OSC16RK-1236	24	OSC16RK-1836	30
48"	OSC16RK-1248	29	OSC16RK-1848	34
60"	OSC16RK-1260	33	OSC16RK-1860	38
72"	OSC16RK-1272	37	OSC16RK-1872	42
84"	OSC16RK-1284	47	OSC16RK-1884	58
96"	OSC16RK-1296	50	OSC16RK-1896	62
108"	OSC16RK-12108	55	OSC16RK-18108	66
120"	OSC16RK-12120	60	OSC16RK-18120	70
132"	OSC16RK-12132	67	OSC16RK-18132	74
144"	OSC16RK-12144	73	OSC16RK-18144	78

## MODEL # STRUCTURE

16 = GAUGE  
 1 = # OF SHELVES  
 C = CANTILEVERED  
 OS = OVERSHELF

R = RISER TOP  
 K = KNOCKDOWN  
 12 = WIDTH (FRONT/BACK)  
 36 = LENGTH (LEFT/RIGHT)

# OSC16RK-1236

SOME UNITS SHIP UNASSEMBLED FOR REDUCED SHIPPING COST. ALL DIMENSIONS ARE TYPICAL. TOLERANCE +/- .500"

John Boos & Co. is constantly engaged in a program of improving products and therefore reserves the right to change specifications without prior notice.



3601 S. Banker St. • Effingham, IL 62401 • PO BOX 609 • quotes@johnboos.com

071619



# www.johnboos.com

789