



FOOD EQUIPMENT

SERVING THE FOOD INDUSTRY SINCE 1951

ELECTRIC FLOOR FRYER

Item: 44591 Model: CE-CN-0040



**EXCELLENT ELECTRIC FRYER
PERFECT FOR YOUR KITCHEN**

Omcan's Electric Floor Fryer is designed for best performance while delivering exceptional results. Excellent choice for busy restaurants and fast food businesses. This fryer has 40 lb. oil capacity; boasting a powerful 14 kW heating element for best heat transfer.



WARRANTY
PARTS AND LABOR



SHIPPED ON
PALLET

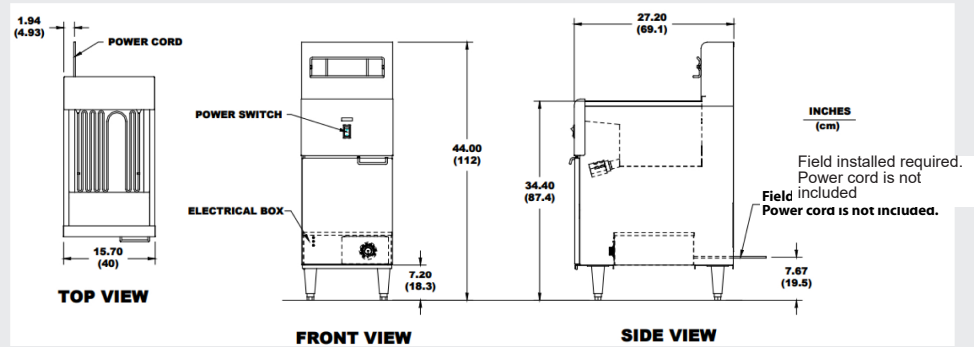


Authorized Dealer



FEATURES

- Stainless steel frying pot
- Stainless steel front and galvanized sides
- 40 lb. capacity
- On/off power switch
- 14kW flat heating element for best heat transfer
- Deep cold zone with forward sloping bottom
- Oil draining extension



TECHNICAL SPECIFICATIONS

ITEM NUMBER	44591
MODEL	CE-CN-0040
POWER	14 kW
AMPS	50 Amps
OIL CAPACITY	40 lbs. / 18.14 kg.
NUMBER OF FRY BASKETS INCLUDED	2
FRY BASKET DIMENSIONS	6.5" x 12.24" x 6" / 165 x 311 x 152 mm
ELECTRICAL	240V / 60Hz / 3Ph
DIMENSIONS (DWH)	27.2" x 15.7" x 44" / 69.1 x 40 x 1120 cm
WEIGHT	123.45 lbs. / 56 kg.
GROSS DIMENSIONS	29.5" x 18.5" x 43.3" / 75 x 47 x 110 cm
GROSS WEIGHT	150 lbs. / 68 kg.

OMCAN INC.

Telephone: 1-800-465-0234
 Fax: (905) 607-0234
 Email: sales@omcan.com
 Website: www.omcan.com



Follow us to keep up to date with the latest news and offers

