



FOOD EQUIPMENT

SERVING THE FOOD INDUSTRY SINCE 1951

TOP-DOWN PRESS PATTY MAKER

► **CREATE FRESHLY-PRESSED PATTIES FAST AND EASY!**

Ideal for fast food establishments, restaurants, or any fast-paced kitchen, Omcan's top-down press patty maker will help you create perfect, uniform patties whether they are beef, chicken, turkey, and veggie. Easy and quick to clean.



WARRANTY



Authorized Dealer

FEATURES

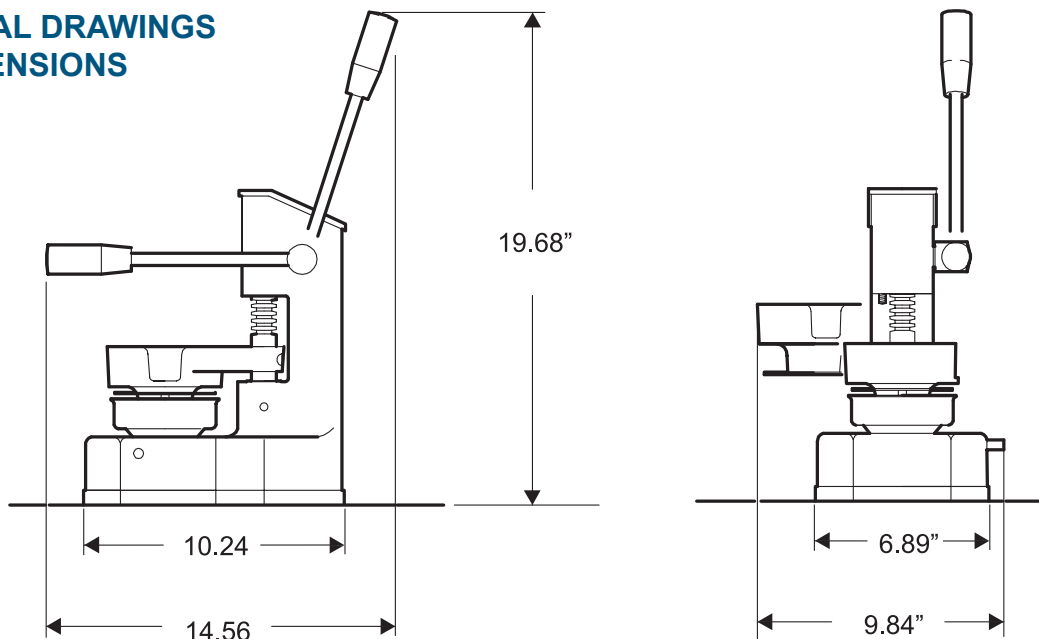
- Rugged construction
- Parts coming into contact with the meat are made of food-grade stainless steel
- Easy and quick cleaning
- Rubber feet to work surface firmly for safe use

Use item 11427 Hamburger Press Paper (100 mm) - *Item sold separately*

ITEM NUMBER	11434
TYPE	4" (101.6 mm) Diameter
WEIGHT	11 lbs. / 5 kg.
PACKAGING WEIGHT	26.4 lbs. / 12 kg.
DIMENSIONS	14.56" x 9.84" x 19.68" / 370 x 250 x 500 mm
PACKAGING DIMENSIONS	16.5" x 11" x 13.38" / 419.1 x 279.4 x 340 mm



TECHNICAL DRAWINGS AND DIMENSIONS



OMCAN INC.

Telephone: 1-800-465-0234
 Fax: (905) 607-0234
 Email: sales@omcan.com
 Website: www.omcan.com



Follow us to keep up to date with the latest news and offers

