



SERVING THE FOOD INDUSTRY SINCE 1951

20L CAPACITY COMMERCIAL RICE WARMER

Item: 43423 Model: CE-CN-0020-R

KEEP YOUR COOKED RICE WARM AND FRESH

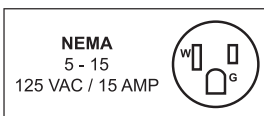
► Ideal for buffet, restaurants, and catering events

Omcan's commercial rice warmer holds 20L or approximately 96 cups of cooked rice at a warming temperature of 71° - 75°C / 159.8° - 167°F for up to 48 hours. Its attractive stainless steel finish complements your kitchen. Non-stick inner cooking pot is easy to remove for quick cleaning. Comes with a spoon ladle.



WARRANTY

PARTS AND LABOR



Authorized Dealer

FOOD EQUIPMENT

20L CAPACITY COMMERCIAL RICE WARMER | CE-CN-0020-R



FEATURES

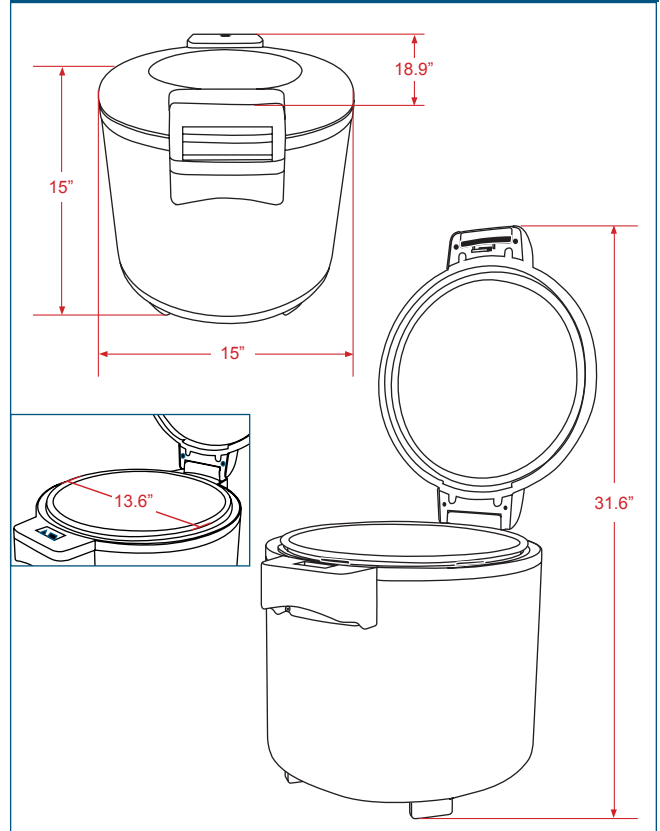
- Keeps rice warm and fresh up to 48 hours
- Attractive stainless steel finish that complements your kitchen
- The aluminum, non-stick inner cooking pot warms up to 20L of cooked rice and is easy to remove for quick cleaning
- Comes with spoon ladle



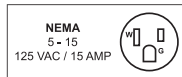
TECHNICAL SPECIFICATIONS

ITEM NUMBER	43423
MODEL	CE-CN-0020-R
WARMING TEMPERATURE	71° - 75°C / 159.8° - 167°F
POWER	103 W
ELECTRICAL	110V / 60Hz / 1Ph
RICE CAPACITY	20L or approximately 96 cups of cooked rice
WEIGHT	18 lbs. / 8.20 kg.
PACKAGING WEIGHT	21 lbs. / 9.55 kg.
DIMENSIONS	18.9" x 15" x 15" 480.06 x 381 x 381 mm
PACKAGING DIMENSIONS	18" x 18" x 16" 457.2 x 457.2 x 406.4 mm

TECHNICAL DRAWINGS AND DIMENSIONS



WARRANTY
PARTS AND LABOR



OMCAN INC.

Telephone: 1-800-465-0234
Fax: (905) 607-0234
Email: sales@omcan.com
Website: www.omcan.com



Follow us to keep up to date with the latest news and offers



2017.E.O.E