



# COOKING EQUIPMENT

SERVING THE FOOD INDUSTRY SINCE 1951

## QUARTZ ADJUSTABLE SINGLE SALAMANDER

Item: 39581  
Model: CE-CN-1506-S

Item: 43450  
Model: CE-CN-0580-S

*High Performance  
and Quality  
Single Salamander*



Item 39581 shown



Authorized Dealer

# COOKING EQUIPMENT

## QUARTZ ADJUSTABLE SINGLE SALAMANDER



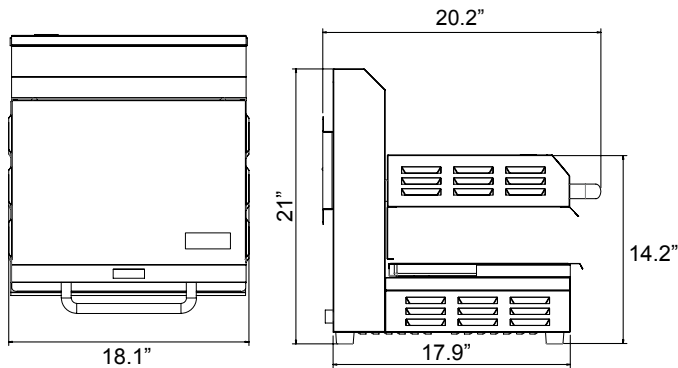
### Detail images and features:



- Quick quartz heating from top
- Adjustable top grill for quick cooking with minimal heat loss
- Removable base tray
- Rubber feet
- Wall mount kit included
- Adjustable heating supply
- Built with stainless steel

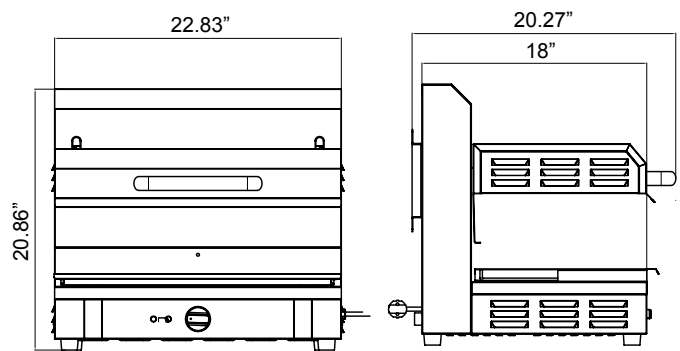
#### Model CE-CN-1506-S

Item 39581

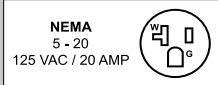
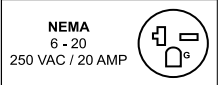


#### Model CE-CN-0580-S

Item 43450



### SINGLE ADJUSTABLE SALAMANDER

	39581	43450
<b>ITEM NUMBER</b>	39581	43450
<b>MODEL</b>	CE-CN-1506-S	CE-CN-0580-S
<b>MATERIAL</b>	Stainless Steel	Stainless Steel
<b>WARMING BASE</b>	14" x 17.71" / 355 x 450 mm	14" x 21" / 355 x 533 mm
<b>POWER</b>	1.8 kW	3.2 kW
<b>ELECTRICAL</b>	120V / 60Hz / 1Ph	240V / 60Hz / 1
<b>WEIGHT</b>	72.8 lbs. / 33 kg.	107 lbs./ 48.5 kg
<b>PACKAGING WEIGHT</b>	77 lbs./ 35 kg.	112.4lbs/ 51 kgs
<b>DIMENSIONS (DWH)</b>	20.2" x 18.1" x 21" / 513 x 460 x 533 mm	20.27" x 22.83" x 20.86" / 515 x 580 x 530 mm
<b>PACKAGING DIMENSIONS</b>	22" x 22" x 20" / 559 x 559 x 508 mm	24.8" x 22.44" x 22.44" / 630 x 570 x 570 mm
<b>PLUG</b>	 <p>NEMA 5-20 125 VAC / 20 AMP</p>	 <p>NEMA 6-20 250 VAC / 20 AMP</p>

## OMCAN INC.

Telephone: 1-800-465-0234  
 Fax: (905) 607-0234  
 E-mail: sales@omcan.com  
 Website: www.omcan.com



Follow us to keep up to date with the latest news and offers

