



BEVERAGE EQUIPMENT

SERVING THE FOOD INDUSTRY SINCE 1951

Stainless Steel Coffee Maker with 2 Glass Decanters

Model: CM-TW-0002-D Item: 44313

**Serve warm coffee to your customers
fast and efficiently!**

Brew twice the amount of coffee with our stainless steel coffee maker! Equip with two decanters and warming plates, this compact and convenient coffee maker is an excellent addition for any small function, break room, coffee shop and much more!



Authorized Dealer

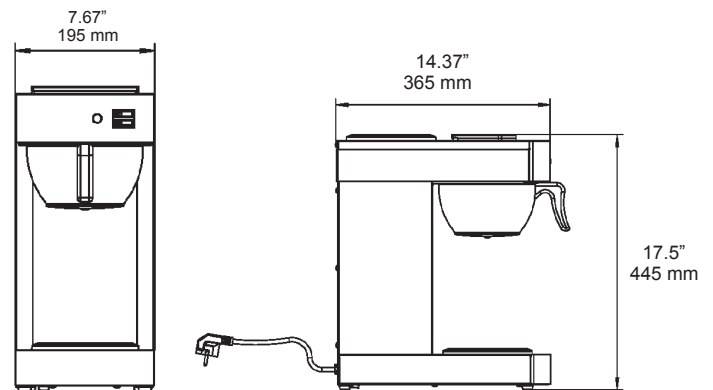


Features:

- Stainless steel body and brew chamber
- Stainless steel panel and durable funnel
- Manual on/off switch
- Triple safety protection
- Comes with two decanters and warmers
- Includes brewing indicator
- Two warming plates with nano-meterceramic coating for top and base included

TECHNICAL SPECIFICATION

ITEM NUMBER	44313
MODEL	CM-TW-0002-D
POWER	1650w
TANK CAPACITY	2.2L with glass decanter (1.8Lx2)
CUPS PER HOUR	Up to 100 cups per hour
BREWING TIME	5 minutes per jug
BREWING TEMPERATURE	93-96°C/199.4-204.8°F
ELECTRICAL	120V/60Hz
DIMENSIONS (DWH)	14.37"x7.67"x17.5"/335x195x445mm
WEIGHT	17.4kg/7.9kg



OMCAN INC.

Telephone: 1-800-465-0234
 Fax: (905) 607-0234
 Email: sales@omcan.com
 Website: www.omcan.com



Follow us to keep up to date with the latest news and offers

