



FOOD WARMER

SERVING THE FOOD INDUSTRY SINCE 1951

Double Sauce Pot Warmer

Model: FW-CN-0252 Item: 44182



The Omcan Sauce Pot Warmer keeps your toppings and sauces at optimal temperature for your customers.



WARRANTY
PARTS AND LABOR



Authorized Dealer

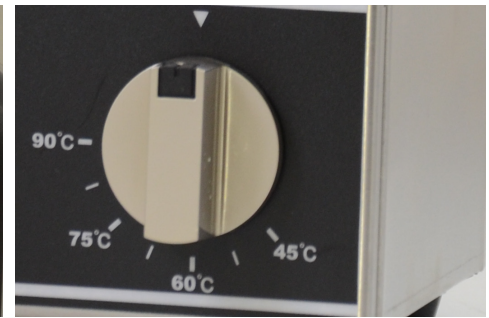
FEATURES:



Designed for easy use with just a flick of a switch.



The inserts are separate from the machine. Which, makes cleaning it very easy.

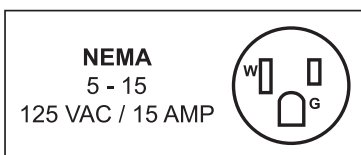
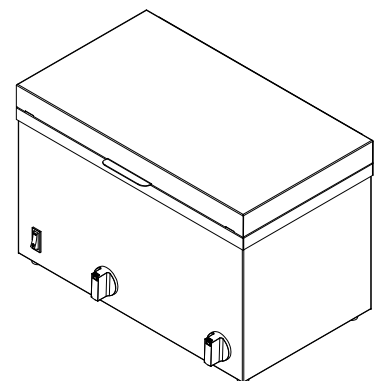
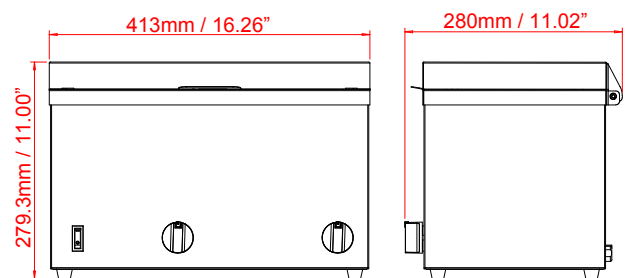


The temperature is controlled by an adjustable temperature dial which ranges from 45°-90° Celsius.

TECHNICAL SPECIFICATION

ITEM NUMBER	44182
MODEL	FW-CN-0252
DESCRIPTION	Double Sauce Pot Warmer
POT SIZE	2.5L
MATERIAL	Stainless Steel
TEMPERATURE RANGE	45°C / 60°C / 75°C / 90°C / 113°F / 140°F / 167°F / 194°F
POWER	400W
ELECTRICAL	120V / 60Hz / 1
NET WEIGHT	8.5 KG / 18.74 LBS
GROSS WEIGHT	9.3 KG / 20.50 LBS
DIMENSIONS (DWH)	11.02" x 16.26" x 11.00" / 280mm x 413mm x 279.3mm
GROSS DIMENSIONS	18.90" x 11.61" x 13.19" / 480mm x 295mm x 335mm

OVERALL DIMENSIONS



WARRANTY
PARTS AND LABOR



OMCAN INC.

Telephone: 1-800-465-0234
 Fax: (905) 607-0234
 Email: sales@omcan.com
 Website: www.omcan.com



Follow us to keep up to date with the latest news and offers

