



SERVING THE FOOD INDUSTRY SINCE 1951

PIZZA MOULDER WITH 16" MAX ROLLER WIDTH

Item: 39638

Model: BE-CN-0400



This commercial automatic electric pizza moulder saves time in pizza and bread dough rolling. The dough is not heated in the process and its characteristics are not affected. Thickness and diameter can easily be adjusted.



WARRANTY
PARTS AND LABOR



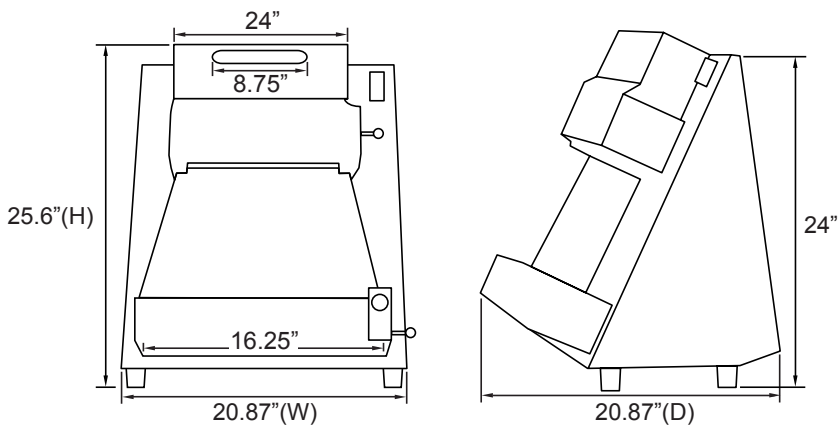
Authorized Dealer

FOOD EQUIPMENT

PIZZA MOULDER WITH 16" MAX ROLLER WIDTH

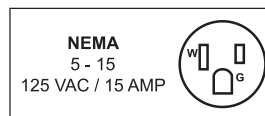


TECHNICAL DRAWING AND DIMENSIONS



TECHNICAL SPECIFICATION

ITEM NUMBER	39638
MODEL	BE-CN-0400
POWER	0.5 HP/ 0.37 kW
DOUGH WEIGHT	1.76 oz.-17.64 oz. / 50 - 500 grams
PIZZA DIAMETER	4" - 16" / 101.6 - 406 mm
ELECTRICAL	110 V/60Hz/1Ph
DIMENSIONS (DWH)	20.87" x 20.87" x 25.60" / 530 x 530 x 650 mm
PACKAGING DIMENSIONS	22.83" x 23.23" x 32.68" / 580 x 590 x 830 mm
PACKAGING WEIGHT	123.2 lbs./ 56 kg



OMCAN INC.

Telephone: 1-800-465-0234
 Fax: (905) 607-0234
 Email: sales@omcan.com
 Website: www.omcan.com



Follow us to keep up to date with the latest news and offers

