



FOOD EQUIPMENT

SERVING THE FOOD INDUSTRY SINCE 1951

COUNTERTOP CERAMIC FOOD WARMER

Item: 23574 Model: FW-CN-0902



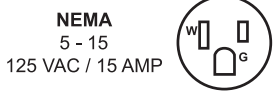
**KEEP YOUR FRIED FOOD HOT AND DELICIOUS
WHILE WAITING FOR IT TO BE SERVED**

- Great for buffets, cafeterias, and restaurants

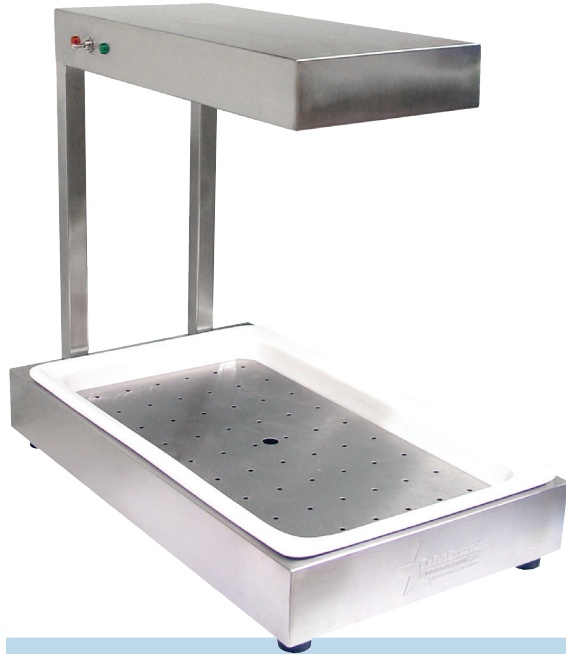
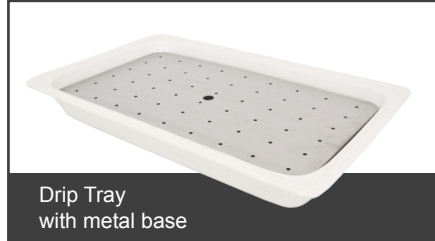
Omcan's countertop ceramic food warmer is designed to keep food warm while waiting for it to be served. Simply switch the unit on and the element will start heating up, and provide consistent heating.



WARRANTY
PARTS AND LABOR



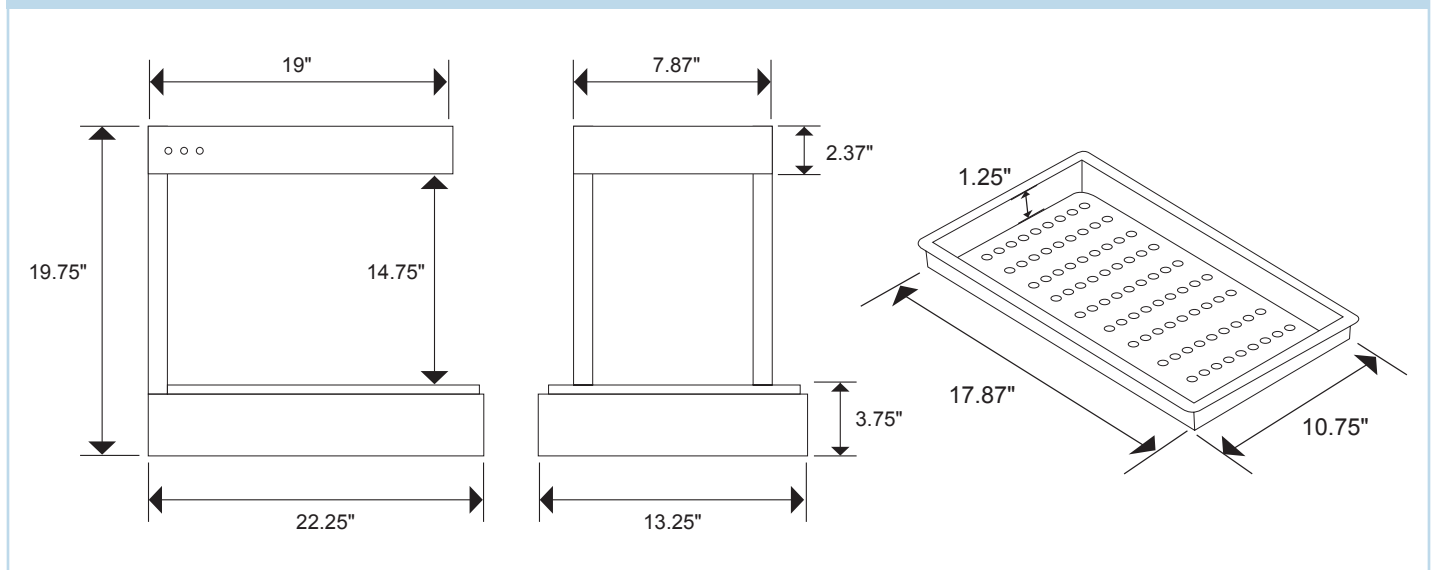
Authorized Dealer



TECHNICAL SPECIFICATIONS

ITEM NUMBER	23574
MODEL	FW-CN-0902
POWER	0.85 kW
BASE TO BULB	14.75" / 374.65 mm
ELECTRICAL	120V / 60Hz / 1Ph
WEIGHT	18 lbs. / 8.16 kg.
PACKAGING WEIGHT	26 lbs. / 11.79 kg.
DIMENSIONS (DWH)	22.25" x 13.25" x 19.75" 565.15 x 336.55 x 501.65 mm
PACKAGING DIMENSIONS	24" x 15" x 24" 609.6 x 381 x 609.6 mm

TECHNICAL DRAWINGS AND DIMENSIONS



OMCAN INC.

Telephone: 1-800-465-0234
 Fax: (905) 607-0234
 Email: sales@omcan.com
 Website: www.omcan.com



Follow us to keep up to date with the latest news and offers

