



REFRIGERATION

SERVING THE FOOD INDUSTRY SINCE 1951

37-INCH CHEST FREEZER WITH SOLID FLAT TOP

Item: 46502 Model: FR-CN-0192

Designed to merchandise and provide increased sales of frozen novelties and seasonal specialties



- Perfect for convenience stores, ice cream shops, supermarkets, and/or restaurants
- Hinged lid design enables it to stay open while consumers are loading / taking out items without having to hold it up for hours

- Spacious to keep your frozen products in proper food storage temperature
- Pre-coated steel interior walls
- Fits maximum of 3 baskets



WARRANTY
PARTS AND LABOR



Authorized Dealer

REFRIGERATION

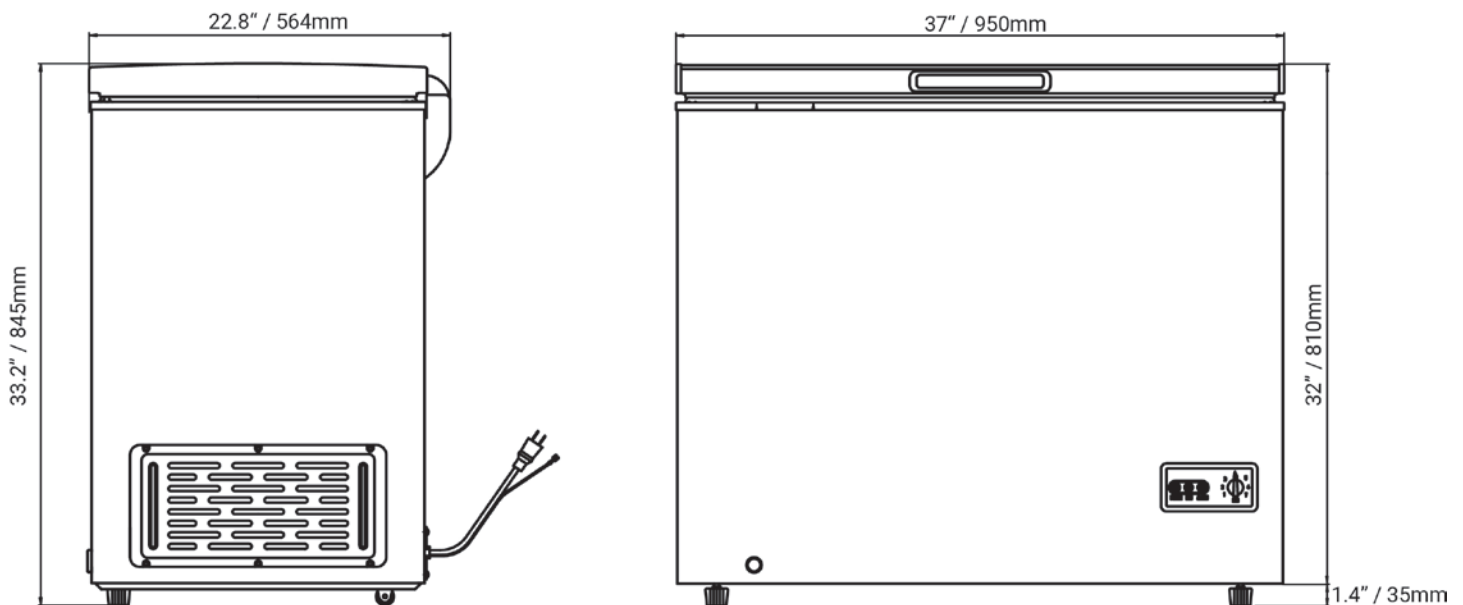
37-INCH CHEST FREEZER WITH SOLID FLAT TOP



TECHNICAL SPECIFICATIONS

| | | | |
|----------------------------|--|------------------------|-----------------------------------|
| ITEM NUMBER | 46502 | DEFROST | Manual |
| MODEL | FR-CN-0192 | FOAMING COMPONENT | Cyclopentane |
| CAPACITY (CU. FT.) | 6.7 cu. ft. | AMP | 1.4 |
| POWER | 1/6 HP | NEMA PLUG | 5-15A |
| REFRIGERANT | R600 | EXTERIOR MATERIAL | Durable white powder coated steel |
| TEMPERATURE RANGE | -22°C to -15°C / -8°F to 5°F | INTERIOR MATERIAL | Precoated Steel |
| ELECTRICAL | 115V / 60Hz / 1Ph | DOOR PANEL | Solid |
| NUMBER OF DOORS | 1 | DOOR TYPE | Hinged |
| NUMBER OF BASKETS INCLUDED | 1 (Fits maximum of 3 baskets, sold separately) | LOCK | No |
| EXTERIOR DIMENSIONS (WDH) | 37" x 22.2" x 33.2" 950 x 564 x 845 mm | DEFROST DRAIN | Yes |
| GROSS DIMENSIONS | 38.6" x 22.8" x 34.6" 982 x 580 x 880 mm | INTERIOR LIGHT | No |
| WEIGHT | 77 lbs. / 35 kg. | ADJUSTABLE THERMOSTAT | Mechanical |
| GROSS WEIGHT | 86 lbs. / 39 kg. | CASTERS (Front / Rear) | 2 rollers, 2 adjustable feet |
| | | CERTIFICATIONS | ETL, ETL SANITATION |

TECHNICAL DRAWINGS WITH DETAILED DIMENSIONS



OMCAN INC.

Telephone: 1-800-465-0234

Fax: (905) 607-0234

E-mail: sales@omcan.com

Website: www.omcan.com



Follow us to keep up to date with the latest news and offers

