



DISPLAY WARMER

SERVING THE FOOD INDUSTRY SINCE 1951

COUNTER TOP CHIP WARMER

Item: 43452

Model: FW-CN-0300-C



During constant service, it's important to keep your food at its ideal temperatures to satisfy your hungry customers. Stay true to this by making sure your fries maintain their out-of-the-fryer temperature with this countertop chip warmer. Adjust the temperature to your liking; ranging from 45°-75°C / 113°-167°F. You'll be free of any excess oil spilling around your food thanks to its oil tray located underneath the removable food pan. Give the finishing touches to your fan-favorite fries with a little salt; you can do so with the included salt shaker. This stainless steel unit is perfect for concession stands, fairs and restaurants that sell hot and crispy French fries.



WARRANTY
PARTS AND LABOR



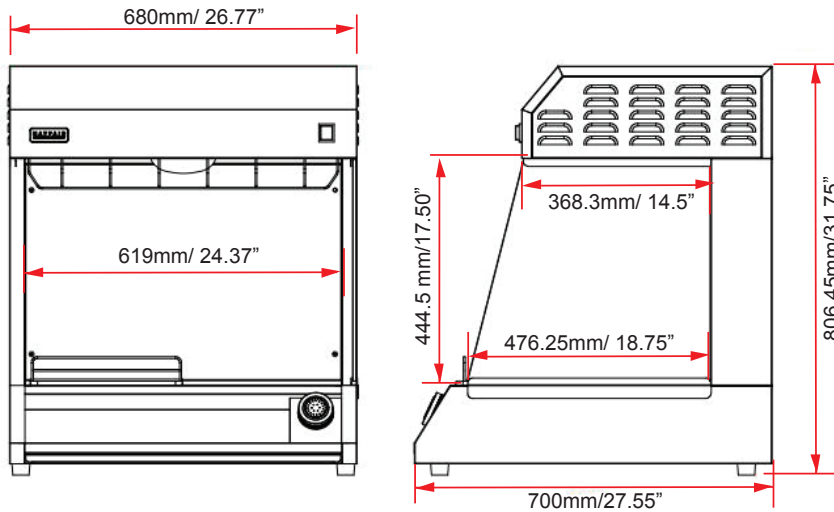
Authorized Dealer

DISPLAY WARMER

COUNTER TOP CHIP WARMER



DIMENSIONS AND FEATURES



Features:

- Made of stainless steel
- Temperature range: 45° - 75°C / 113° - 167°F
- Removable food pan
- Oil tray underneath
- Salt shaker included

TECHNICAL SPECIFICATION

ITEM NUMBER	43452
MODEL	FW-CN-0300-C
POWER	300 W
TEMPERATURE RANGE	45° - 75°C / 113° - 167°F
ELECTRICITY	110V/60Hz
DIMENSIONS (WDH)	26.77" x 27.55" x 31.75" / 680 x 700 x 808.45 mm
GROSS DIMENSIONS	30" x 30" x 34" / 762 x 762 x 863.6 mm
GROSS WEIGHT	85 lbs / 38.6 kg

NEMA
5 - 20R
125 VAC / 20 AMP
RECEPTACLE



OMCAN INC.

Telephone: 1-800-465-0234
Fax: (905) 607-0234
Email: sales@omcan.com
Website: www.omcan.com



Follow us to keep up to date with the latest news and offers



2017E&OE