



REFRIGERATION

SERVING THE FOOD INDUSTRY SINCE 1951

79-INCH ICE CREAM DIPPING CABINET

Item: 37815 Model: FR-CN-2007

Omcan's FR-CN-2007 Ice Cream Freezer is designed to merchandise and provide increased sales of frozen novelties and seasonal specialties.

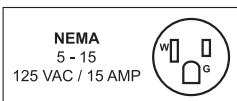


37815 with serial batch number BEFORE S.91424113998000001

37815 with serial batch number AFTER S.91424113998000001

FEATURES

- Manufactured with 24 cubic feet capacity for maximizing storage
- Comes with four two-inch casters for mobility (2 locking)
- Designed with two sliding doors with curved top glass for easy access
- Exterior is made of white painted steel with gray plastic trim
- Built-in lock for security
- Steel interior walls
- Plastics trim and door frames
- Wire baskets included
- Conveniently located rear defrost drain



Authorized Dealer

REFRIGERATION

79-INCH ICE CREAM DISPLAY FREEZER FR-CN-2007 / 37815



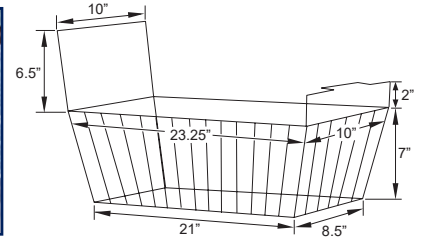
TECHNICAL SPECIFICATION

ITEM NUMBER	37815
MODEL	FR-CN-2007
POWER	0.65 kW
FREEZER CAPACITY	700 L / 24.72 cu. ft.
DOORS	2
NUMBER OF BASKETS	SEE BASKETS
TEMPERATURE RANGE	≤ -18°C / ≤ -0.4°F
REFRIGERANT	R290
ELECTRICAL	110 V / 60 Hz / 1 Ph
WEIGHT	120 kg / 264.5 lbs.
PACKAGING WEIGHT	140 kg / 308.5 lbs.
DIMENSIONS (WDH)	78.74" x 29.75" x 32.25" 2000 x 756 x 819 mm
PACKAGING DIMENSIONS	81" x 32" x 37" 2057 x 813 x 940 mm

REPLACEMENT BASKET AND BASKET DIVIDER

Replacement Baskets and Divider for Item 37815 with units serial batch number BEFORE S 91424113998000001

ITEM NUMBER: 28456 (fits 7 baskets)
VOLUME: 0.85 cu.ft.

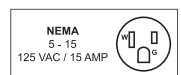
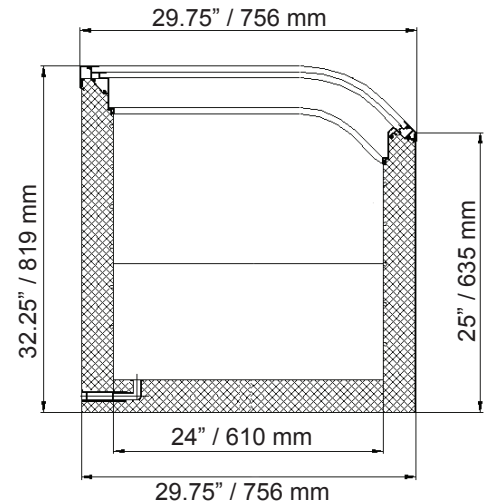
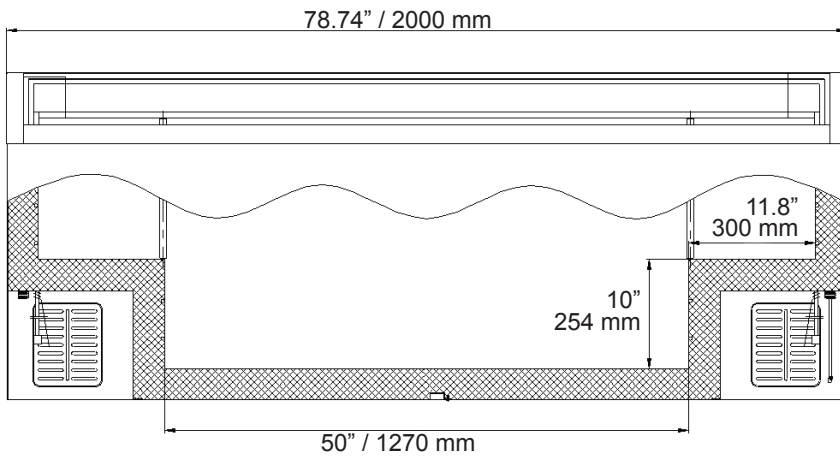


ITEM NUMBER: 43412
DESCRIPTION: Basket Divider for item 28456



TECHNICAL DRAWING AND DIMENSIONS

Item 37815 with serial batch number BEFORE S 91424113998000001



OMCAN INC.

Telephone: 1-800-465-0234
Fax: (905) 607-0234
Email: sales@omcan.com
Website: www.omcan.com



Follow us to keep up to date with the latest news and offers



2015.E.O.E

REFRIGERATION

79-INCH ICE CREAM DISPLAY FREEZER FR-CN-2007 / 37815



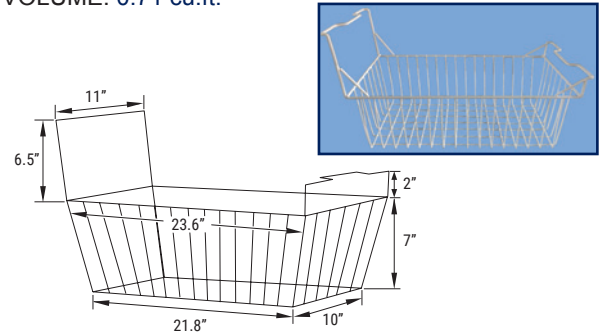
TECHNICAL SPECIFICATION

ITEM NUMBER	37815
MODEL	FR-CN-2007
POWER	0.65 kW
FREEZER CAPACITY	700 L / 24.72 cu. ft.
DOORS	2
NUMBER OF BASKETS	SEE BASKETS
TEMPERATURE RANGE	≤ -18°C / ≤ -0.4°F
REFRIGERANT	R290
ELECTRICAL	110 V / 60 Hz / 1 Ph
WEIGHT	120 kg / 264.5 lbs.
PACKAGING WEIGHT	140 kg / 308.5 lbs.
DIMENSIONS (WDH)	78.74" x 29.6" x 30.6" 2000 x 752 x 778 mm
PACKAGING DIMENSIONS	81" x 32" x 37" 2057 x 813 x 940 mm

REPLACEMENT BASKET AND BASKET DIVIDER

Replacement Baskets and Divider for Item 37815 with units serial batch number AFTER S 91424113998000001

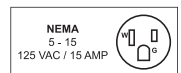
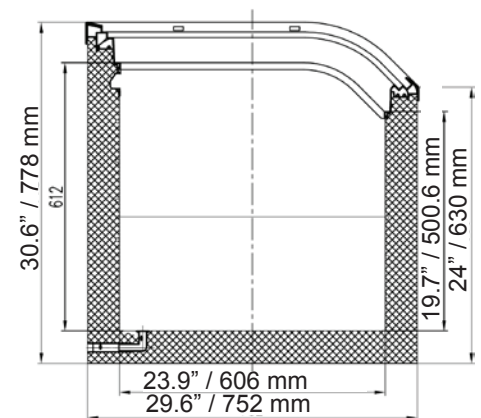
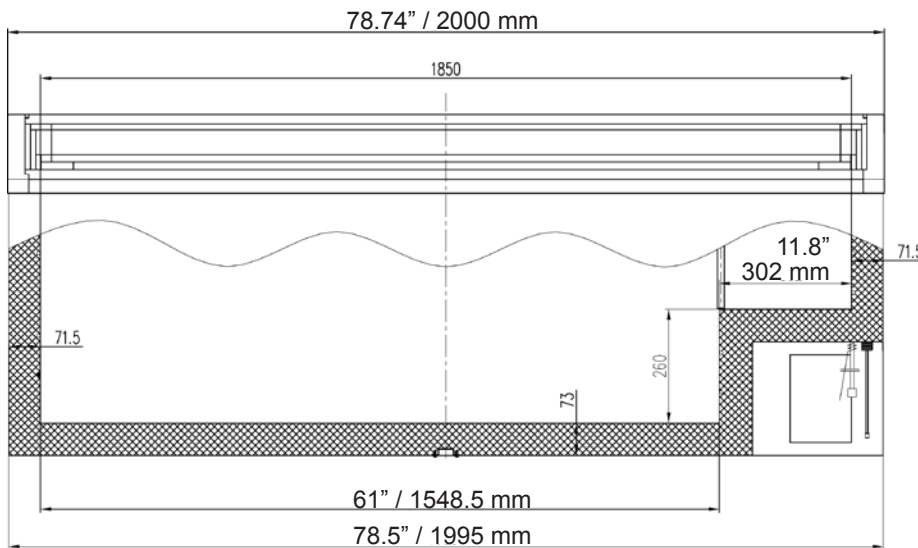
ITEM NUMBER: 76695 (fits 6 baskets)
VOLUME: 0.71 cu.ft.



ITEM NUMBER: 60318
DESCRIPTION: Basket Divider for item 76695

TECHNICAL DRAWING AND DIMENSIONS

Item 37815 with serial batch number AFTER S 91424113998000001



OMCAN INC.

Telephone: 1-800-465-0234
Fax: (905) 607-0234
Email: sales@omcan.com
Website: www.omcan.com



Follow us to keep up to date with the latest news and offers



2015.E.O.E