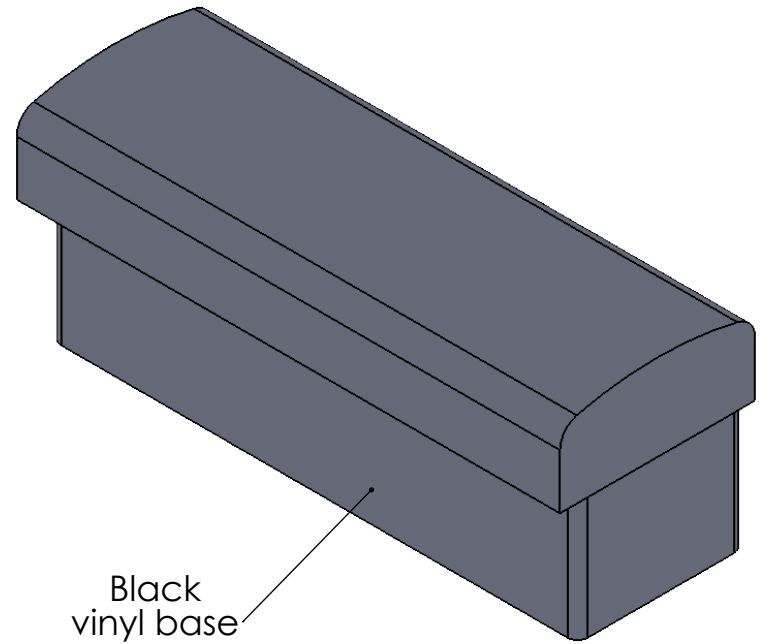


Customer/PO # \_\_\_\_\_  
Project Name/Location \_\_\_\_\_  
Oak Street SO #/Sales staff \_\_\_\_\_

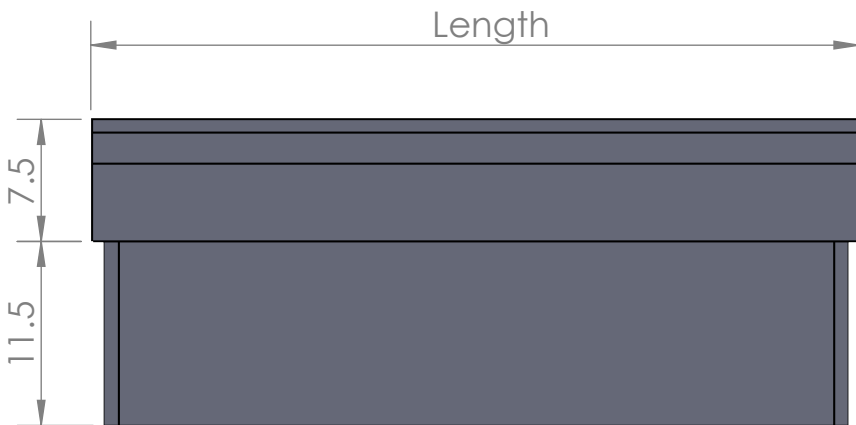
Booth options:  
Vinyl on seat \_\_\_\_\_  
Length of bench \_\_\_\_\_ Quantity \_\_\_\_\_  
Length of bench \_\_\_\_\_ Quantity \_\_\_\_\_  
Custom notes: \_\_\_\_\_

Customer sign-off/Date \_\_\_\_\_

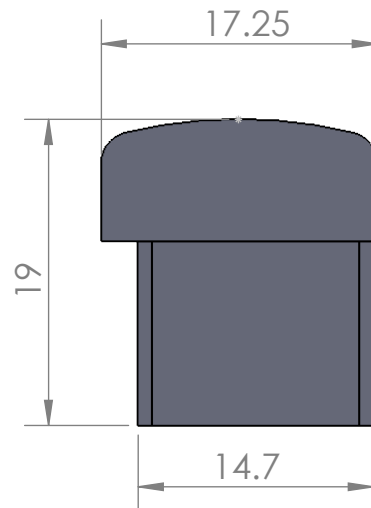


Black vinyl base

Isometric View



Front View



Right Side View

Oak Street Manufacturing  
Monticello, Iowa  
Olin Series Bench