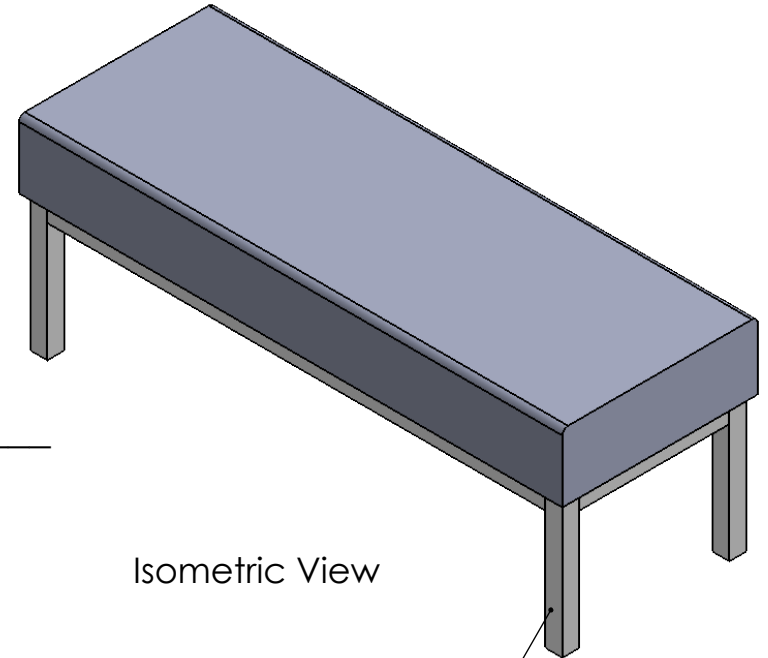


Customer/PO # _____
Project Name/Location _____
Oak Street SO #/Sales staff _____

Booth options:

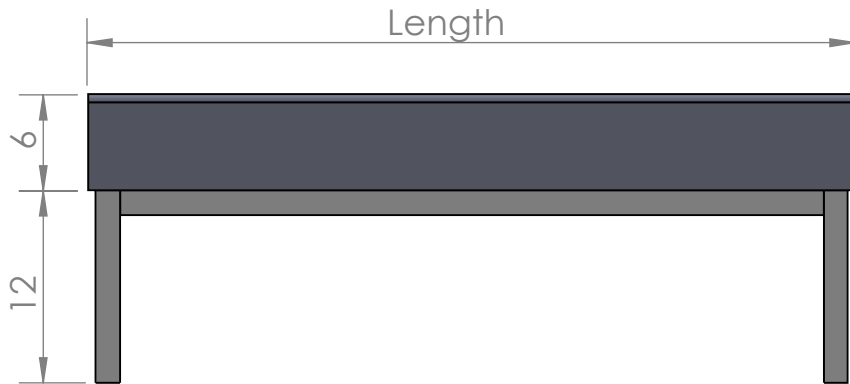
Vinyl on seat _____
Finish on legs - Black Sandex paint _____ Clear coat _____
Length of bench _____ Quantity _____
Length of bench _____ Quantity _____
Custom notes: _____

Customer sign-off/Date _____

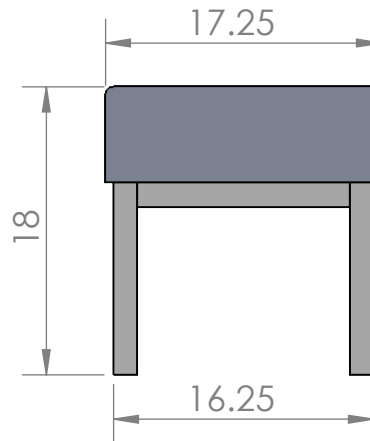


Isometric View

1-1/2" square tubing steel



Front View



Right Side View

Oak Street Manufacturing
Monticello, Iowa
Allen Series Bench