



Simply Engineered Better

Project \_\_\_\_\_

Item No. \_\_\_\_\_

Quantity \_\_\_\_\_

601HRG HEAT RECOVERY GLASSWASHER

# 601HRG

Undercounter Heat Recovery Glasswasher with Built-in Booster



## STANDARD FEATURES

- **Heat recovery: Cold water feed only!**
- **Up to 50% more energy efficient!**
- **Quicker drying of wares!**
- **Condensation is removed!**
- **Reduced operation costs!**
- **RAPID-DRY** provides improved and quicker drying of glassware
- **Ergonomical, practical**, 22-1/2" [572] loading height
- **Soft Start**, protects glasses and mugs from chipping and breaking
- **Industry leading**, deep drawn, type 316 stainless steel tank
- **12-1/8" [308] door opening**, ideal for racked glasses
- **Multi-cycle**; 3 cycle time options for enhanced cleaning
- Delime feature allows easy deliming of wash cavity
- Auto-clean flushes tank interior at end of serving period
- Electric tank heater (2 kW)
- Microcomputer controls and digital temperature displays
- Standard pumped drain for total ease of installation
- Liquid detergent and rinse-aid dispensing pumps complete with prime switches

## SPECIFIER STATEMENT

Specified unit will be the Moyer Diebel model 601HRG undercounter heat recovery glasswasher at 29-5/8" standard height with built-in booster operating on a 1/2" cold water supply only.

Features include a 7-1/4" height stand, 12-1/8" door opening, selectable 120,200 and 277 second cycle times, built-in 5kW booster, 2 kW tank heater, LED temperature display, Rinse Sentry, rinse aid and detergent pumps, flexible fill and drain hoses as well as an auto-clean cycle which flushes tank interior at shutdown. Unit shall incorporate a RAPID DRY feature to improve and quicken the drying of wares. Wash tank constructed of type 316 stainless steel.

1 year parts and labor warranty.

Vent hood is not recommended as unit does not produce excessive steam. Always follow local building code guidelines.

## OPTIONS & ACCESSORIES

- |   |               |
|---|---------------|
| <input type="checkbox"/> 3 Phase Connection (prewired at factory)         | -             |
| <input type="checkbox"/> Drain Water Tempering Kit (factory installed)    | P/N 0713725   |
| <input type="checkbox"/> Low Chemical Alarm                               | P/N 0712314-2 |
| <input type="checkbox"/> Power Cord Kit                                   | P/N 0713741   |
| <input type="checkbox"/> 17RS - 17" Stand (replaces existing stand)       | P/N 0708757   |
| <input type="checkbox"/> 4" Stand (converts to a standard counter height) | P/N 0714292   |
| <input type="checkbox"/> 1" Roller kit (adds 1" to height)                | P/N 0712480-1 |
| <input type="checkbox"/> Flat bottom dishrack                             | P/N 101273    |
| <input type="checkbox"/> Peg dishrack                                     | P/N 101285    |

MD601HRG Printed in U.S.A.

**Moyer Diebel - USA**

3765 Champion Blvd, Winston-Salem, NC 27105 Tel: 336/661-1992 Fax: 336/661-1979 800/228-8350

www.moyerdiebel.com

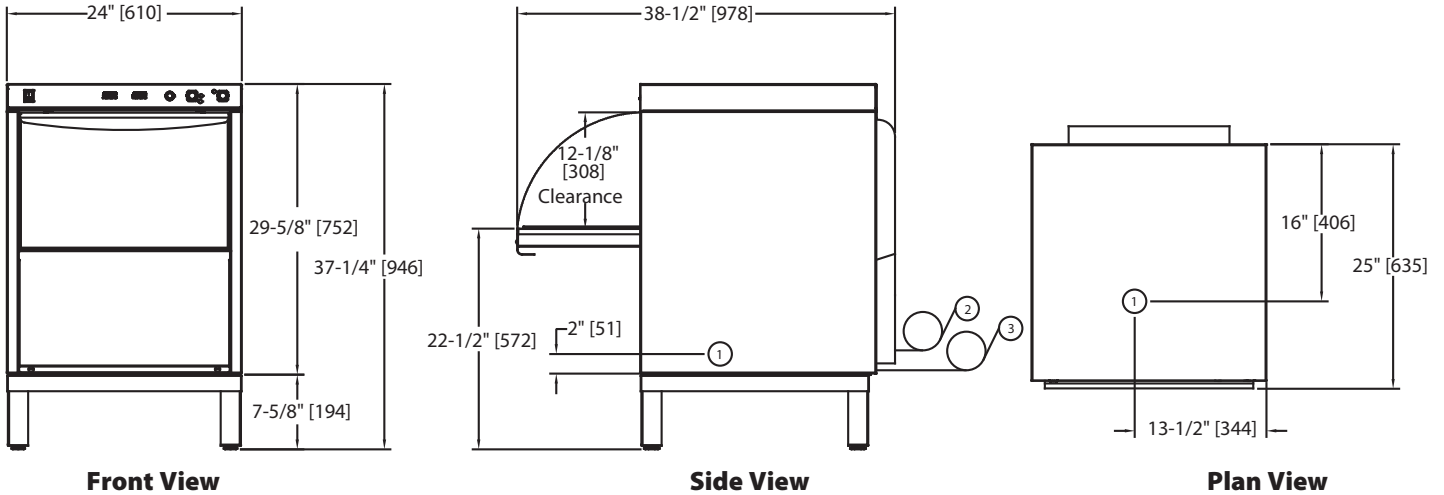


Simply Engineered Better

# 601HRG

Undercounter Heat Recovery  
Glasswasher with Built-in Booster

Dimensions shown in inches and [millimeters]



## SPECIFICATIONS

### Capacities

\*Racks per hr. 25

### Motor horsepower

Wash 1

### Water consumption

U.S. gal per hr (max use) 15.6  
 U.S. gal per rack 0.65

### Temperatures °F

Wash (minimum) 150  
 Rinse (minimum) 180

### Heating

Tank heat, electric (kW) 2  
 Electric booster 5

### Time Cycle in Seconds

Wash 45/120/197  
 Rinse 13  
 Drain/fill 62

### Standard 20"x20" Rack Complement

Dish 1  
 Open 1

\* Excludes 30 second NSF load/unload time

## Utilities

### 1 Electrical Connection

208-240/60/1; 3 wire plus ground. (see box)  
 208-240/60/3; 4 wire plus ground.  
 Field convertible to accept 3 phase power, see service manual for details

### 2 Cold Water

1/2 supply; 55-80°F cold water; 25 PSI min.  
 Machine equipped with 3/4" hose connector

### 3 Pumped Drain

5/8" I.D. flexible reinforced hose, 6ft. long.  
 Max. drain flow 15 US gpm. Max drain height 3ft.

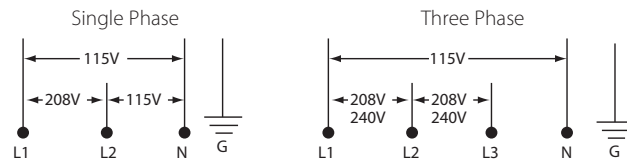
## 601HRG with Booster

Electrical Specs.	Rated Amps	Minimum Supply Ckt. Conductor Ampacity	Maximum Overcurrent Protective Device
208/60/1	32	40	40
240/60/1	36	40	40
208/60/3	22	30	30
240/60/3	24	30	30

Field convertible to accept 3 phase power

**Warning** Plumbing and electrical connections should be made by qualified personnel who will observe all the applicable plumbing, sanitary and safety codes.

**\*Note:** Electrical supply service must be a 3 or 4 wire plus ground for connection as shown.



Due to an ongoing value analysis program at Moyer Diebel, specifications in this catalog are subject to change without notice.

### Moyer Diebel - USA

3765 Champion Blvd., NC 27105  
 336/661-1992 • Fax: 336/661-1979

moyerdiebel.com

an Ali Group Company



The Spirit of Excellence