



RANGES

Features

- The Ikon Gas Ranges are available in six models, individual standing pilot, w/ static oven(s)
- 24" 4-burner, 1 static oven
- 36" 6-burner, 1 static oven
- 60", 10-burner, 2 static ovens
- 60", 6-burner w/ 24" - 3/4" griddle plate, 2 static ovens
- 60", 6-burner w/24" - 1" griddle plate, 2 static ovens
- 60", 6-burner w/ 24" radiant charbroiler, 2 static ovens
- Simple manual thermostat controls (except model IR-6B-24TG-60)
- Stainless steel front, back riser, & lift off shelf
- 30,000 BTU top burner (each), 30,000 BTU Oven
- Riser with removable shelf(s)
- 12" x 12" Cast iron grates
- Four (4) or Six (6) 6.2" Casters standard, adjustable legs are an option*
- 3 position oven rack; 2 racks per oven
- Full pull-out crumb tray
- Oven interior door, sides, hearth are porcelain coated
- **Available in Natural gas(NG) or Liquid propane(LP).**
A conversion kit is supplied with each unit

*Adjustable legs require four (4) or six (6) individual legs (Part # 119-0300)

GAS REQUIREMENTS

- Natural Gas or Liquid Propane (LP) Gas main supply required
- A conversion kit is supplied with each unit. In order to avoid any warranty issues, conversion of your unit must be completed by an authorized Ikon service agent
- 3/4" NPT gas connection
- 30,000 BTU's per burner
- One pilot light per burner
- Natural gas 4" W.C., LP gas 10" W.C.



IR-4-24



IR-6-36



IR-10-60



IR-6B-24MG-60

IR-6B-24TG-60



IR-6B-24RB-60



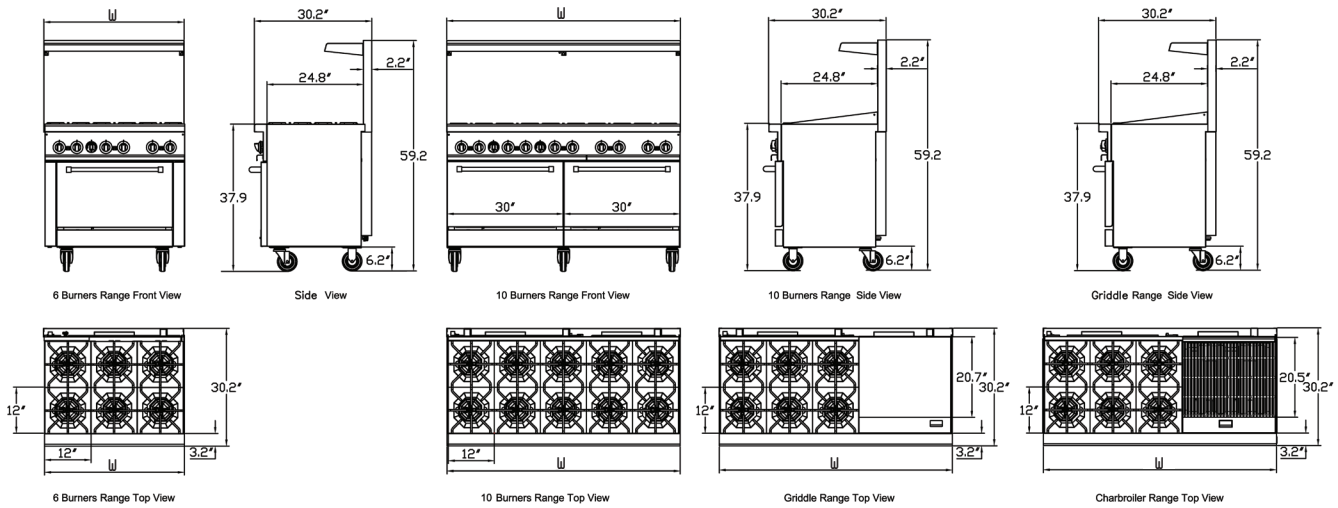
IR-6B-24RG-60



RANGES



Dimensions in inches



Oven inside dimensions
 IR-4-24 19-3/4"W x 22-1/2"D x 18"H \ IR-6-36 26-1/2"W x 22-1/2"D x 18"H \ IR-10-60 26-1/2"W x 22-1/2"D x 18"H

Specifications

Please Note: These items are shipped on a pallet and are crated for protection during LTL shipment.

Model	Description	Total BTU	KW	Overall Dimensions	Weight	Shipping Dimensions	Shipping Weight
IR-4-24	(4) Burners	153,000 NG	45	23.9"W x 30.2"D x 59.2"H	277 lbs	28.0"W x 37.0"D x 45"H	366 lbs
		136,000 LP	40	(61cm x 76.7cm x 150.4cm)	(126 kg)	(71cm x 94cm x 114cm)	(166kg)
IR-6-36	(6) Burners	213,000 NG	63	36"W x 30.2"D x 59.2"H	361 lbs	39.8"W x 37.0"D x 45"H	471 lbs
		190,000 LP	56	(91.4cm x 76.7cm x 150.4cm)	(164.0kg)	(101cm x 94cm x 114cm)	(214kg)
IR-10-60	(10) Burners	366,000 NG	107	60"W x 30.2"D x 59.2"H	621 lbs	65.0"W x 37.0"D x 45"H	764 lbs
		326,000 LP	96	(152.4cm x 76.7cm x 150.4cm)	(282kg)	(165cm x 94cm x 114cm)	(347kg)
IR-6B-24MG-60	24"Griddle& (6)Burners (Manual Control)	306,000 NG	90	60"W x 30.2"D x 59.2"H	674 lbs	65.0"W x 37.0"D x 49"H	817 lbs
		272,000 LP	80	(152.4cm x 76.7cm x 150.4cm)	(306kg)	(165cm x 94cm x 125cm)	(371kg)
IR-6B-24TG-60	24"Griddle& (6)Burners (Therm Control)	306,000 NG	90	60"W x 30.2"D x 59.2"H	708 lbs	65.0"W x 37.0"D x 49"H	864 lbs
		272,000 LP	80	(152.4cm x 76.7cm x 150.4cm)	(322kg)	(165cm x 94cm x 125cm)	(392kg)
IR-6B-24RB-60	24" Radiant Broiler & (6)Burners	316,000 NG	93	60"W x 30.2"D x 59.2"H	631 lbs	65.0"W x 37.0"D x 49"H	787 lbs
		288,000 LP	85	(152.4cm x 76.7cm x 150.4cm)	(287kg)	(165cm x 94cm x 125cm)	(357kg)
IR-6B-24RG-60	24" Radiant Broiler & (6)Burners	306,000 NG		60"W x 30.2"D x 59.2"H	704 lbs	65.0"W x 37.0"D x 52.4"H	860 lbs
		272,000 LP		(152.4cm x 76.7cm x 150.4cm)	(320kg)	(165cm x 94cm x 133cm)	(390kg)



Tel.: 786.600.4687 / Toll Free: 844.218.8477
 Fax: 786.661.4100



Tel.: 514.737.9701 / Toll Free: 888.275.4538
 Fax: 514.342.3854 / Toll Free: 877.453.8832

sales@mvpgroupcorp.com

3560 NW 56th St.
 Fort Lauderdale, FL 33309 USA

5659 Royalmount Ave.
 Montreal, QC H4P2P9 CANADA



www.mvpgroupcorp.com