



**T&S BRASS AND BRONZE WORKS, INC.**  
 2 Saddleback Cove / P.O. Box 1088  
 Travelers Rest, SC 29690

Model No.

**MV-2522-32**

Item No.

Travelers Rest, SC: 800-476-4103 • Simi Valley, CA: 800-423-0150 • Fax: 864-834-3518 • www.tsbrass.com

This Space for Architect/Engineer Approval

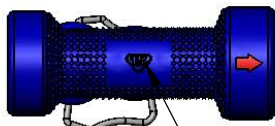
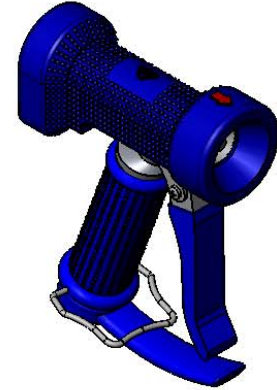
Job Name \_\_\_\_\_ Date \_\_\_\_\_

Model Specified \_\_\_\_\_ Quantity \_\_\_\_\_

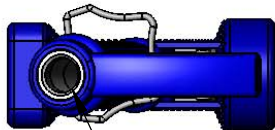
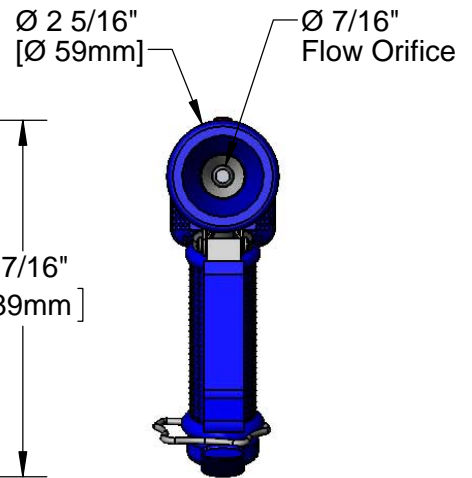
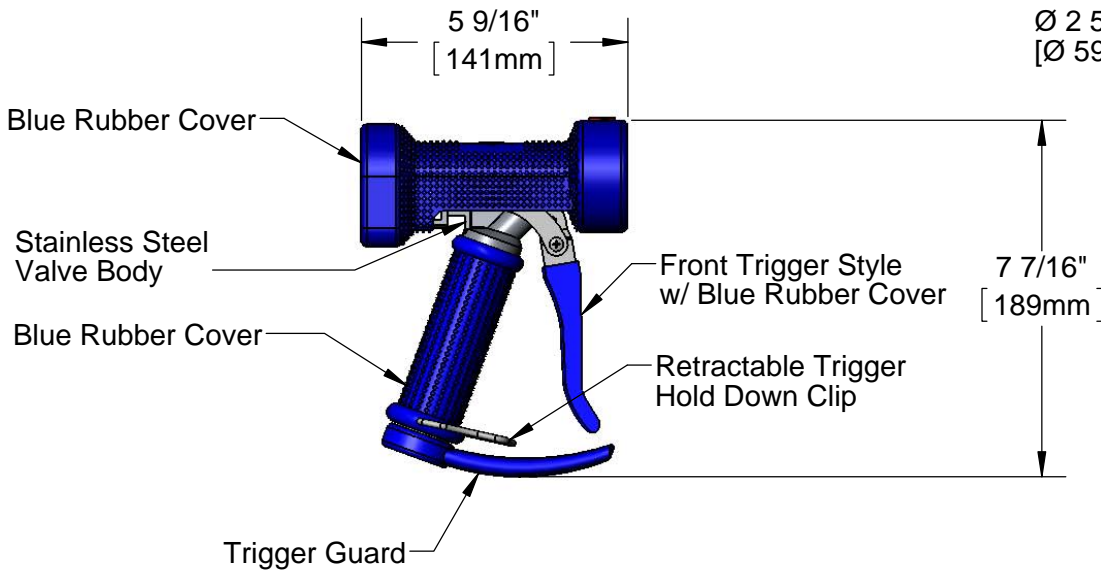
Customer/Wholesaler \_\_\_\_\_

Contractor \_\_\_\_\_

Architect/Engineer \_\_\_\_\_



T&S Logo on Top



1/2" NPT Female Inlet



1/2" NPT x 3/4" Hose Barb Connector (Included)

Product Specifications:  
 Stainless Steel Water Gun w/ Blue Rubber Cover, Front Style Trigger,  
 Ø 7/16" Flow Orifice & 1/2" NPT x 3/4" Hose Barb Connector

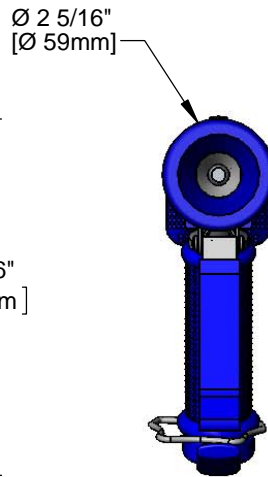
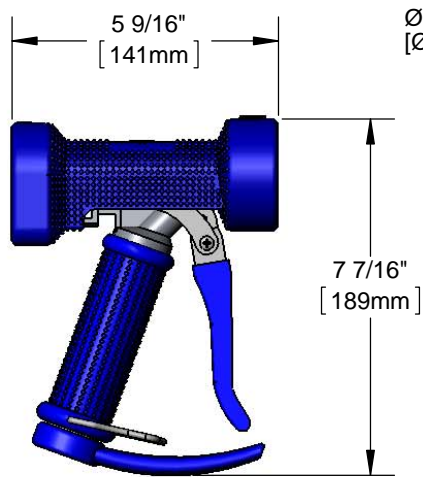
Product Compliance:  
 NSF 61 Exempt (Non-Potable)



**Architect/Engineering Specifications:**

Heavy duty front trigger water gun, stainless steel with blue rubber cover, Ø 7/16" flow orifice and 1/2" NPT x 3/4" hose barb connector.

Job Name _____
Model Specified _____ Quantity _____
Variations Specified _____
Date _____



**Features & Benefits:**

- Heavy duty front trigger water gun
- Stainless steel with blue rubber cover
- 12.10 GPM water gun
- Rubber covered trigger guard
- Ø 7/16" flow orifice
- 1/2" NPT x 3/4" hose barb connector
- Material: Stainless steel and rubber

**Product Compliance:**

- NSF 61 Exempt (Non-Potable)

**Warranty:** One Year (Limited)

**Performance Data:**

- Pressure: 20 - 125 psi
- Temperature: 40 °F - 200 °F
- Flow Rate: 12.10 GPM @ 60 psi

