



T&S BRASS AND BRONZE WORKS, INC.
 2 Saddleback Cove / P.O. Box 1088
 Travelers Rest, SC 29690

Model No.

MV-2522-24

Item No.

Travelers Rest, SC: 800-476-4103 • Simi Valley, CA: 800-423-0150 • Fax: 864-834-3518 • www.tsbrass.com

This Space for Architect/Engineer Approval

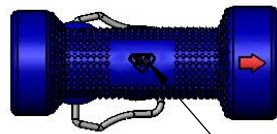
Job Name _____ Date _____

Model Specified _____ Quantity _____

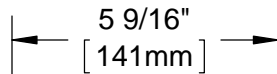
Customer/Wholesaler _____

Contractor _____

Architect/Engineer _____



T&S Logo on Top



5 9/16"
[141mm]

Ø 2 5/16"
[Ø 59mm]

Ø 5/16"
Flow Orifice

Blue Rubber Cover

Stainless Steel Valve Body

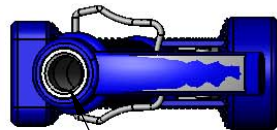
Blue Rubber Cover

Front Trigger Style w/ Blue Rubber Cover

7 7/16"
[189mm]

Trigger Guard

Retractable Trigger Hold Down Clip



1/2" NPT Female Inlet

Product Specifications:

Stainless Steel Water Gun w/ Blue Rubber Cover, Front Style Trigger, Ø 5/16" Flow Orifice & 1/2" NPT Female Inlet

Product Compliance:

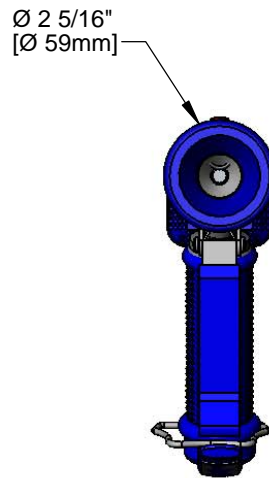
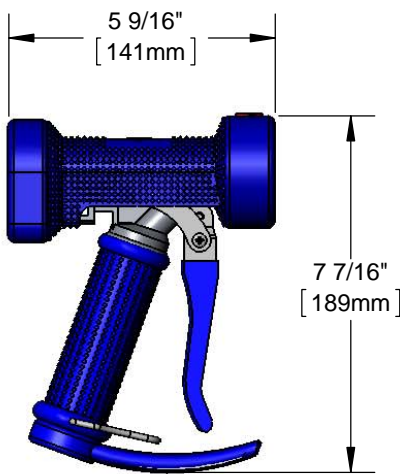
NSF 61 Exempt (Non-Potable)



Architect/Engineering Specifications:

Heavy duty front trigger water gun, stainless steel with blue rubber cover, Ø 5/16" flow orifice and 1/2" NPT female inlet.

Job Name _____
Model Specified _____ Quantity _____
Variations Specified _____
Date _____



Features & Benefits:

- Heavy duty front trigger water gun
- Stainless steel with blue rubber cover
- 8.05 GPM water gun
- Rubber covered trigger guard
- Ø 5/16" flow orifice
- 1/2" NPT female inlet
- Material: Stainless steel and rubber

Product Compliance:

- NSF 61 Exempt (Non-Potable)

Warranty: One Year (Limited)

Performance Data:

- Pressure: 20 - 125 psi
- Temperature: 40 °F - 200 °F
- Flow Rate: 8.05 GPM @ 60 psi

