



T&S BRASS AND BRONZE WORKS, INC.
 2 Saddleback Cove / P.O. Box 1088
 Travelers Rest, SC 29690

Model No.
MPZ-KIT-LN06

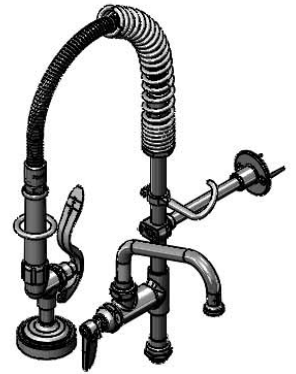
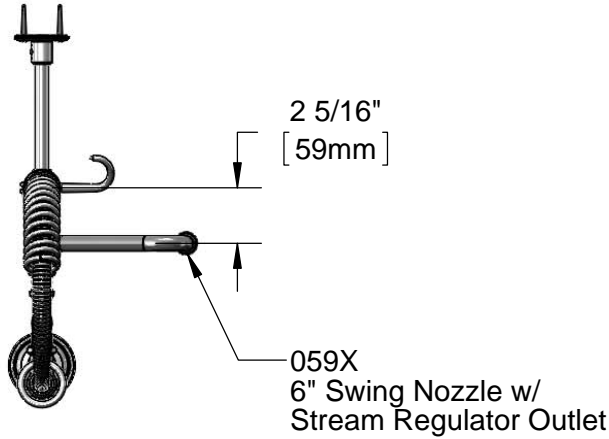
Item No.

Travelers Rest, SC: 800-476-4103 • Simi Valley, CA: 800-423-0150 • Fax: 864-834-3518 • www.tsbrass.com

EPAct 2005 Compliant
 For Commercial Use Only

This Space for Architect/Engineer Approval

Job Name _____ Date _____
 Model Specified _____ Quantity _____
 Customer/Wholesaler _____
 Contractor _____
 Architect/Engineer _____



24" Flexible Stainless
 Steel Hose w/ Spring
 & Spray Valve

Items Not Shown
 For Clarity

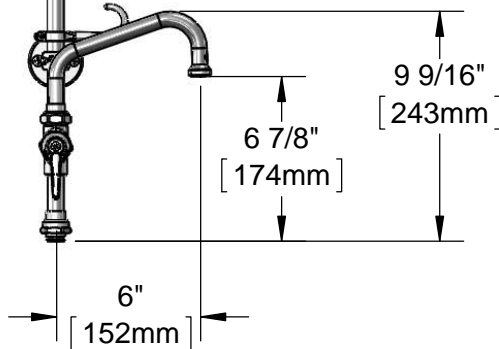
3/8" NPT x 8" Riser

B-0107
 1.42 GPM
 Spray Valve

Finger Hook

B-0109-01
 6" Wall
 Bracket

21 5/8"
 [549mm]



4 9/16"
 [116mm]

7 3/8"
 [188mm]

EasyInstall Add-On
 Faucet w/ Eterna
 Cartridge & Lever
 Handle

Product Specifications:

Easy Install Mini Pre-Rinse Unit Retro-Fit:
 Add-On Faucet, Eterna Cartridge, Lever Handle, 6" Swing Nozzle,
 Compact Spring, 24" Flexible Stainless Steel Hose, 1.42 GPM Spray
 Valve & 6" Wall Bracket

Drawn

KJG

Checked

DMH

Approved

JHB

Scale:

1:8

Date:

09/19/13



T&S BRASS AND BRONZE WORKS, INC.

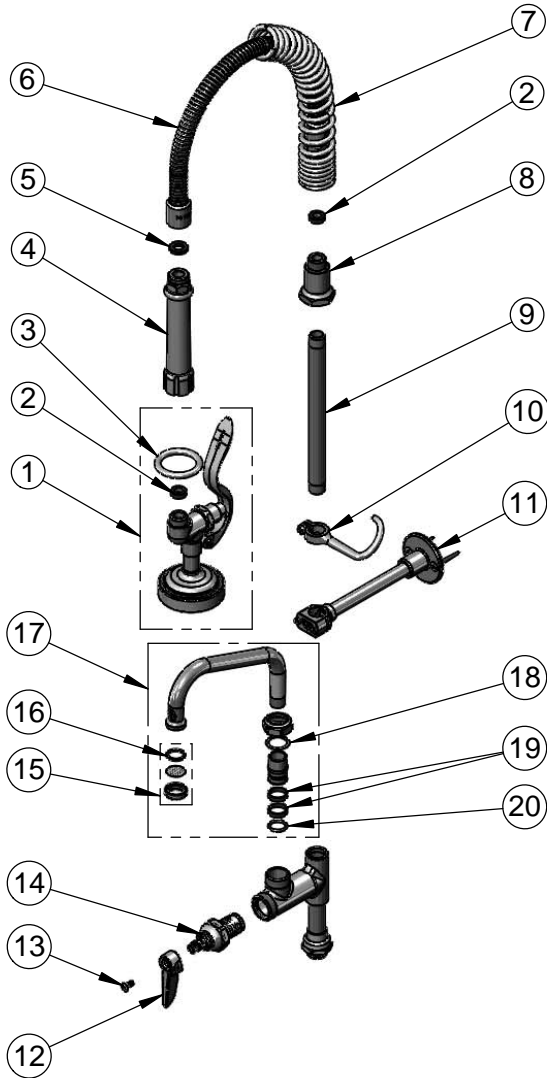
2 Saddleback Cove / P.O. Box 1088
Travelers Rest, SC 29690

Model No.

MPZ-KIT-LN06

Item No.

Travelers Rest, SC: 800-476-4103 • Simi Valley, CA: 800-423-0150 • Fax: 864-834-3518 • www.tsbrass.com



ITEM NO.	SALES NO.	DESCRIPTION
1	B-0107	1.42 GPM Spray Valve
2	010476-45	#27 Washer
3	000907-45	Spray Valve Hold Down Ring
4	002987-40	Grip Handle
5	001014-45	Washer, B-0100 Hose Barrel
6	B-0024-H2A	24" Stainless Steel Fkex Hose - Less Handle
7	016795-45	Compact Spring
8	000821-40	Spring Body
9	078X	3/8" NPT x 8" Riser
10	004R	Finger Hook
11	B-0109-01	6" Wall Bracket
12	001638-45	Lever Handle
13	000922-45	Lever Handle Screw
14	005960-40QT	1/4 Turn Eterna Cartridge, RTC
15	B-PT	Stream Regulator Outlet
16	001048-45	Nozzle Tip Washer
17	059X	6" Swing Nozzle
18	009538-45	Swivel Washer
19	011429-45	Swivel Sleeves (2)
20	001074-45	O-Ring

Product Specifications:

Easy Install Mini Pre-Rinse Unit Retro-Fit:
Add-On Faucet, Eterna Cartridge, Lever Handle, 6" Swing Nozzle,
Compact Spring, 24" Flexible Stainless Steel Hose, 1.42 GPM Spray
Valve & 6" Wall Bracket

Drawn

KJG

Checked

DMH

Approved

JHB

Scale:

NTS

Date:

09/19/13