



T&S BRASS AND BRONZE WORKS, INC.

2 Saddleback Cove / P.O. Box 1088
Travelers Rest, SC 29690



REG. #A2601
ISO #9001

Model No.

MPZ-KIT-LN06-CR

Item No.

Travelers Rest, SC: 800-476-4103 Simi Valley, CA: 800-423-0150 Fax: 864-834-3518 www.tsbrass.com

This Space for Architect/Engineer Approval

Job Name _____ Date _____

Model Specified _____ Quantity _____

Customer/Wholesaler _____

Contractor _____

Architect/Engineer _____

EPAAct2005 Compliant

For Commercial Use Only



B-0024-H
24" Stainless Steel
Hose w/ Polyurethane
Inner Hose & Handle

Overhead Spring, Hose
& Spray Valve Not Shown
For Clarity

Swing Nozzle
Not Shown For
Clarity

059X
6" Swing
Nozzle w/
B-PT Stream
Regulator

B-0107
Spray Valve
w/ 1.42 GPM
Flow Rate

004R
Finger
Hook

000364-40
3/8" NPT
x 8" Riser

21 3/16"
[622mm]

B-0109-01
6" Wall
Bracket

6"
[152mm]

8 7/8"
[226mm]

Cerama Cartridge &
Lever Handle

Product Specifications:

**Easy Install Mini Pre-Rinse Unit Retro-Fit:
Add-On Faucet, 6" Swing Nozzle, Compact Spring
& Flex Hose, B-0107 Spray Valve, 6" Wall Bracket,
Lever Handle & Cerama**

Drawn
JRM

Checked
GEF

Approved
JHB

Scale:

1:8

Date:

10/20/09



T&S BRASS AND BRONZE WORKS, INC.

2 Saddleback Cove / P.O. Box 1088
Travelers Rest, SC 29690



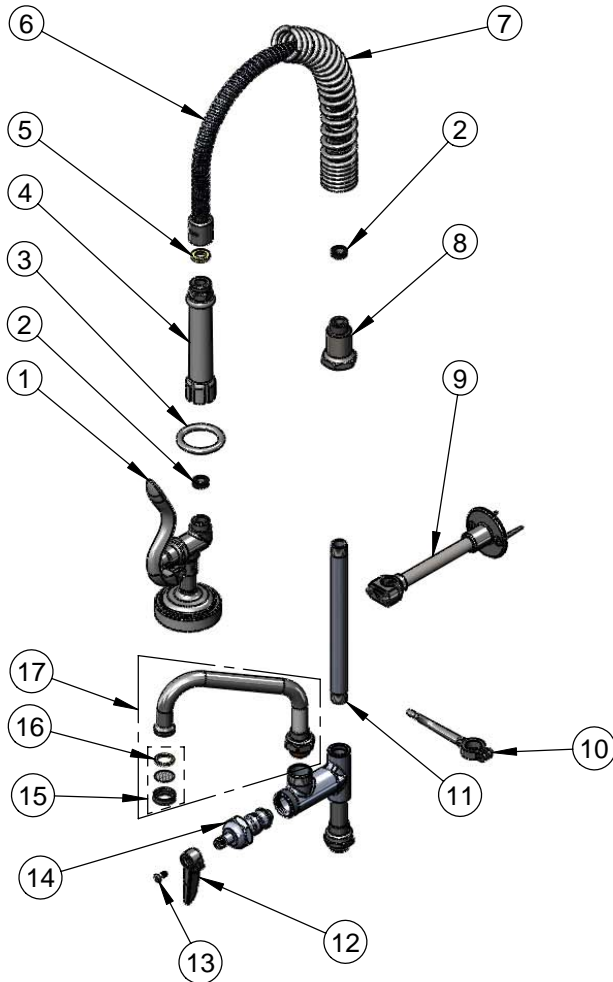
REG. #A2601
ISO #9001

Model No.

MPZ-KIT-LN06-CR

Item No.

Travelers Rest, SC: 800-476-4103 Simi Valley, CA: 800-423-0150 Fax: 864-834-3518 www.tsbrass.com



| ITEM NO. | SALES NO. | DESCRIPTION |
|----------|------------|----------------------------|
| 1 | B-0107 | 1.42 GPM Spray Valve |
| 2 | 010476-45 | #27 Washer |
| 3 | 000907-45 | Spray Valve Hold Down Ring |
| 4 | 002987-40 | Grip Handle Assembly |
| 5 | 001014-45 | Washer, B-0100 Hose Barrel |
| 6 | B-0024-H2A | 24" Flex Hose Less Handle |
| 7 | 016795-45 | Compact Spring |
| 8 | 000821-40 | Spring Body |
| 9 | B-0109-01 | Bracket Assembly, 6" Wall |
| 10 | 004R | Finger Hook Assembly |
| 11 | 000364-40 | 3/8" x 8" Riser |
| 12 | 001638-45 | Lever Handle |
| 13 | 000922-45 | Lever Handle Screw |
| 14 | 011278-25 | Ceramic Cartridge RTC |
| 15 | B-PT | Stream Regulator Outlet |
| 16 | 001048-45 | Nozzle Tip Washer |
| 17 | 059X | 6" Swing Nozzle |

Product Specifications:

Easy Install Mini Pre-Rinse Unit Retro-Fit:
Add-On Faucet, 6" Swing Nozzle, Compact Spring
& Flex Hose, B-0107 Spray Valve, 6" Wall Bracket,
Lever Handle & Cerama

| | | |
|----------------------|-----------------------|--------------------------|
| Drawn JRM | Checked GEF | Approved JHB |
| Scale: NTS | | Date: 10/20/09 |