



T&S BRASS AND BRONZE WORKS, INC.
 2 Saddleback Cove / P.O. Box 1088
 Travelers Rest, SC 29690

Model No.
MPY-2DLV-06-CR

Item No.

Travelers Rest, SC: 800-476-4103 • Simi Valley, CA: 800-423-0150 • Fax: 864-834-3518 • www.tsbrass.com

This Space for Architect/Engineer Approval

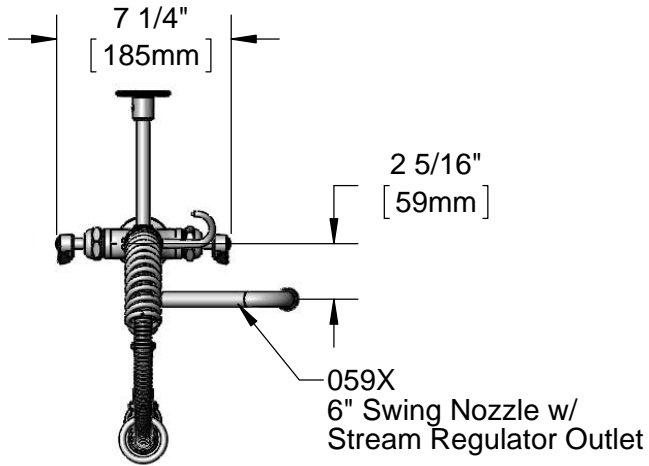
Job Name _____ Date _____

Model Specified _____ Quantity _____

Customer/Wholesaler _____

Contractor _____

Architect/Engineer _____

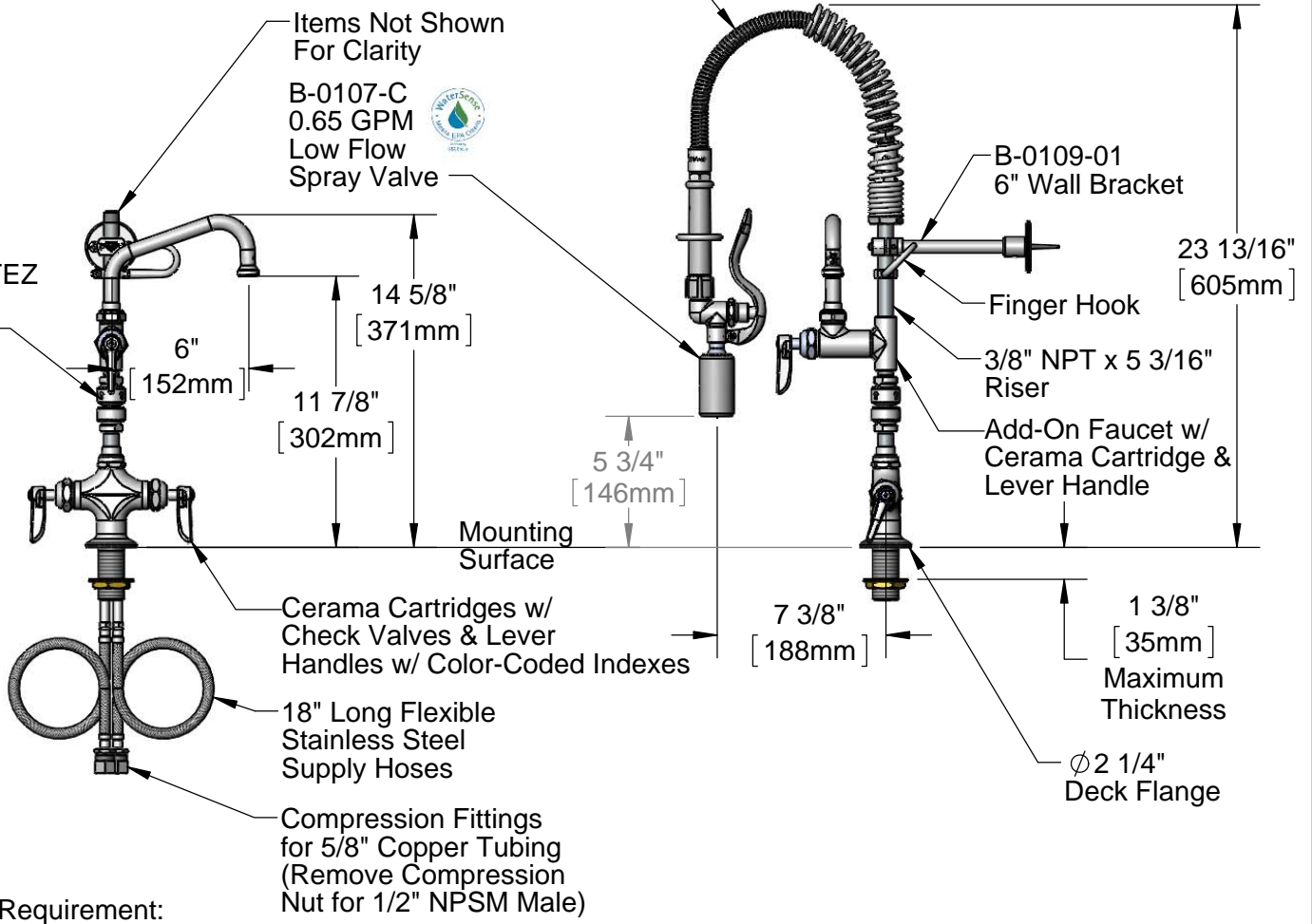


24" Flexible Stainless Steel Hose w/ Spring & Spray Valve

Items Not Shown For Clarity
 B-0107-C
 0.65 GPM
 Low Flow
 Spray Valve



B-0970-FEZ
 Vacuum
 Breaker



Cerama Cartridges w/
 Check Valves & Lever
 Handles w/ Color-Coded Indexes

18" Long Flexible
 Stainless Steel
 Supply Hoses

Compression Fittings
 for 5/8" Copper Tubing
 (Remove Compression
 Nut for 1/2" NPSM Male)

Rough-In Requirement:
 ϕ 1 1/2" [ϕ 38mm] Mounting Hole

Product Specifications:
 Pre-Rinse Unit EasyInstall:
 Single Hole Deck Mount Mixing Faucet, Cerama Cartridges w/ Check
 Valves, Lever Handles, Add-On Faucet w/ 6" Swing Nozzle, Vacuum
 Breaker, Compact Spring, 24" Flexible Stainless Steel Hose,
 0.65 GPM Low Flow Spray Valve, 6" Wall Bracket, & Flexible Supply Hoses

Product Compliance:
 ASME A112.18.1 / CSA B125.1
 NSF 61 - Section 9
 NSF 372 (Low Lead Content)
 EPA Act 2005 (PRSV)
 EPA WaterSense (PRSV)



T&S BRASS AND BRONZE WORKS, INC.

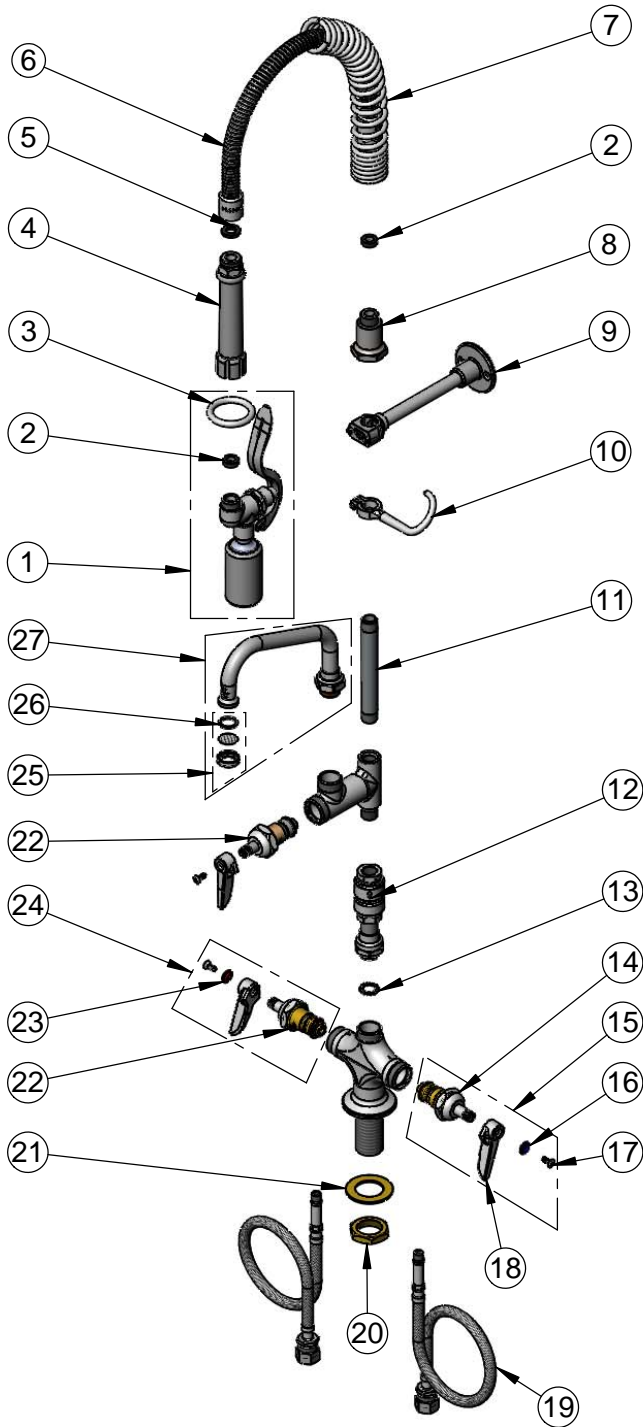
2 Saddleback Cove / P.O. Box 1088
Travelers Rest, SC 29690

Model No.

MPY-2DLV-06-CR

Item No.

Travelers Rest, SC: 800-476-4103 • Simi Valley, CA: 800-423-0150 • Fax: 864-834-3518 • www.tsbrass.com



ITEM NO.	SALES NO.	DESCRIPTION
1	B-0107-C	0.65 GPM Low Flow Spray Valve
2	010476-45	#27 Washer
3	000907-45	Spray Valve Hold Down Ring
4	002987-40	Grip Handle
5	001014-45	Washer, B-0100 Hose Barrel
6	B-0024-H2A	Flexible Stainless Steel Hose Less Handle
7	016795-45	Compact Spring
8	000821-40	Spring Body
9	B-0109-01	6" Wall Bracket
10	004R	Finger Hook
11	001617-40	Nipple, 3/8" NPT x 5-3/16"
12	B-0970-FEZ	EasyInstall Vacuum Breaker
13	014200-45	Star Washer, Anti-Rotation
14	011279-25	Cerama Cartridge, LTC
15	012447-25	Cerama Cartridge, LTC w/ Check Valve, Handle, Index & Screw
16	001660-45	Blue Index-CW
17	000922-45	Lever Handle Screw
18	001638-45	Lever Handle
19	012534-45	18" Flexible Connector Hose
20	000965-45	Lock Nut
21	002290-45	Lock Washer
22	011278-25	Cerama Cartridge, RTC
23	001661-45	Red Index-HW
24	012446-25	Cerama Cartridge, RTC w/ Check Valve, Handle, Index & Screw
25	B-PT	Stream Regulator Outlet
26	001048-45	Nozzle Tip Washer
27	059X	6" Swing Nozzle

Product Specifications:

Pre-Rinse Unit EasyInstall:
Single Hole Deck Mount Mixing Faucet, Cerama Cartridges w/ Check Valves, Lever Handles, Add-On Faucet w/ 6" Swing Nozzle, Vacuum Breaker, Compact Spring, 24" Flexible Stainless Steel Hose, 0.65 GPM Low Flow Spray Valve, 6" Wall Bracket, & Flexible Supply Hoses

Product Compliance:

ASME A112.18.1 / CSA B125.1
NSF 61 - Section 9
NSF 372 (Low Lead Content)
EPA Act 2005 (PRSV)
EPA WaterSense (PRSV)