



Simply Engineered Better

Project _____

Item No. _____

Quantity _____

SW

Pass Through Fully Automatic Glasswashing Machine



SW600

SW400

STANDARD FEATURES

- **Highest capacity**, cleans and sanitizes **2,000 glasses per hour**
- Cool water final rinse ensures steady supply of clean, cool glasses ready for immediate use, reducing labor and breakage
- No steam generated behind the bar
- Automatic operation glass activated shut-off switch
- **Upper** and **lower** wash and rinse arms
- Built-in three pump injection system uses iodine or chlorine sanitizer
- Cabinet provides convenient storage for chemicals
- Polypropylene belt conveyor eliminates chipping of stemware
- Right-to-left or left-to-right operation (must specify)
- Include 6' NEMA 6-15p cord and plug
- One year parts and 90 day labor warranty

SPECIFIER STATEMENT

Specified unit will be Moyer Diebel model SW400 or SW600 pass-through conveyor type glasswasher.

Features include detergent, sanitizer and rinse aid pump, upper & lower wash/rinse arms, cold water final rinse, polypropylene conveyor, two splash curtains, processes 2,000 glasses/hr.

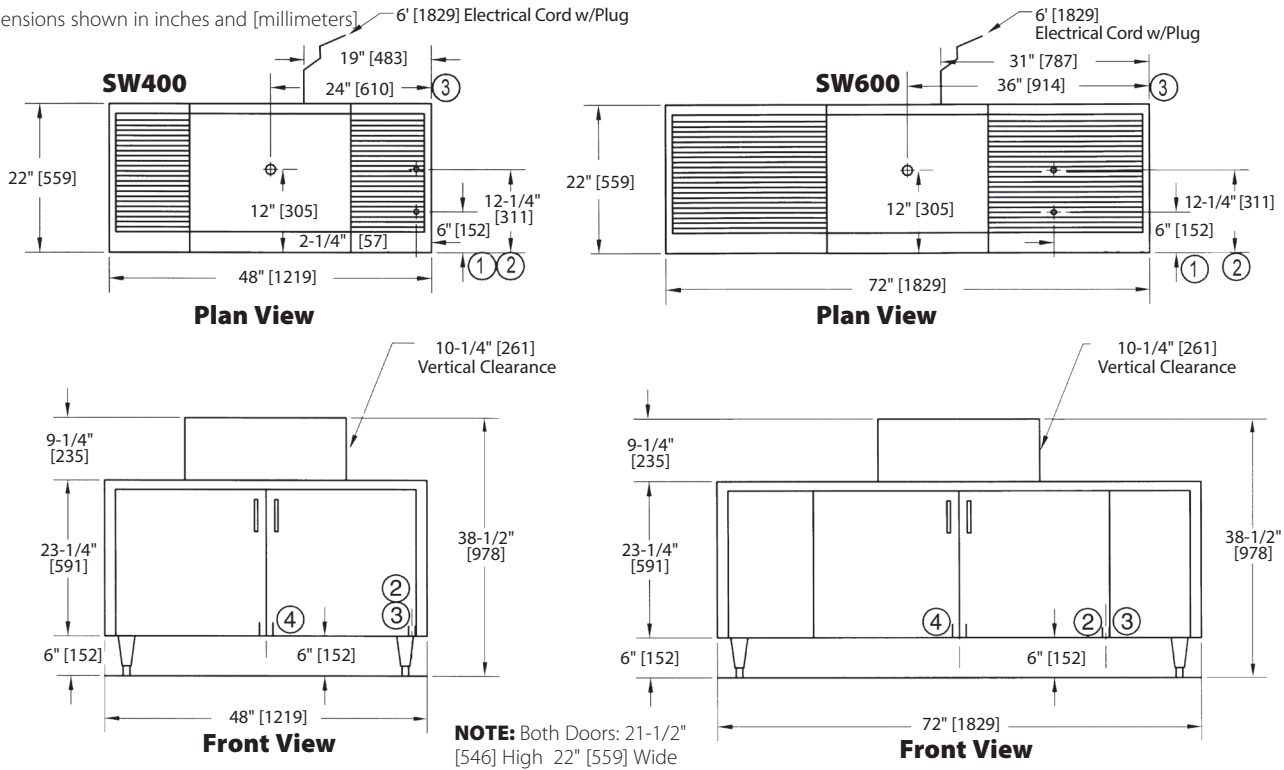
Warranty: 1 year parts, 90 day labor.



OPTIONS & ACCESSORIES

- | | |
|---|-------------|
| <input type="checkbox"/> SW12 – S/S splash guards for SW400 | P/N 0702877 |
| <input type="checkbox"/> SW24 – S/S splash guards for SW600 | P/N 0702878 |
| <input type="checkbox"/> SW48 – S/S back panel for SW400 | P/N 0702882 |
| <input type="checkbox"/> SW72 – S/S back panel for SW600 | P/N 0702886 |
| <input type="checkbox"/> Kit 264 – Washdown hose | P/N 0701956 |
| <input type="checkbox"/> Kit 332 – Casters; set of 4, 2 locking, 2 stationary | P/N 0701962 |
| <input type="checkbox"/> Site Glass kit | P/N 0712993 |
| <input type="checkbox"/> SW47 – Drain Tray Waste Collector | |

Dimensions shown in inches and [millimeters]



UTILITIES

1 Electrical	208 - 230/60/1, 15 amp (Supplied with 4ft. [1219] plug-in cord NEMA6-15P)
2 Hot Water Connection	1/2" IPS. Flow pressure 25-95 psi (173-656 kPa)
3 Cold Water Connection	1/2" IPS. Flow pressure 25-95 psi (173-656 kPa)
4 Drain Connection	1/2" IPS. Flow pressure 25-95 psi (173-656 kPa) 1-1/2" tailpiece. Connect to drain size according to local plumbing code.

	Uncrated		Crated	
	SW400	SW600	SW400	SW600
Height*	38-1/2" [978]	38-1/2" [978]	49" [1244]	49" [1244]
Width	48" [1219]	72" [1882]	53" [1346]	76-1/2" [1942]
Depth	22" [559]	22" [559]	27-1/2" [698]	27-1/2" [698]
Ship Wt. lbs/kg	225/102	285/129	255/115	325/147

* Adjustable foot height - 1-1/4" [32]

Moyer Diebel - USA
3765 Champion Blvd., NC 27105
336/661-1979 • Fax: 336/661-1979
www.moyerdiebel.com

SPECIFICATIONS

Capacity	2-1/2" glasses/hr.	2,000
Water Consumption	Cold water	2.8 US gpm
	Hot water (initial fill)	3 US gallons
	(Max. use-approx. 10 US gph)	
Temperatures °F	Inlet water (hot)	140-160
	Inlet water (cold)	75
Heating	Tank heat, electric (kW)	3
Conveyor	Speed inches	14

Warning: Plumbing and electrical connections should be made by qualified personnel who will observe all the applicable plumbing, sanitary and safety codes.
Due to an ongoing value analysis program at Moyer Diebel, specifications in this catalog are subject to change without notice.