



PERLICK MOBILE BARS



JOB	
AREA	
ITEM NO.	
MODEL NO.	



MOBS-66TS



MOBS-66TS-S



MOBS-42TS

MODELS
MOBS-42TS
MOBS-66TS
MOBS-66TS-S

TAKE THE PARTY ANYWHERE

Perlick's Mobile Bars are an economical solution to ensure patrons and staff are safely socially distanced. Easily move the bar anywhere within your venue for layout flexibility. Utilize one or several units to create multiple stations to maximize sales of highly-profitable cocktails.

All Perlick Mobile Bar Series Include:

- Laminate, stainless steel, or engineered solid surface bar top options
- Laminate exterior offered in multiple color options
- Ice melt drainage tank
- Stainless steel drink rail
- Locking 5" 304 stainless steel casters, for corrosion resistance, with polyurethane tread
- Lower storage area for glass racks, dry goods, and canned or bottled beverages
- LED bartender task lighting for operating in the evening and low light settings



PERLICK MOBILE BARS

MODEL NOS.		MOBS-42TS	MOBS-66TS	MOBS-66TS-S
DIMENSIONS: EXTERIOR (mm)	Length	46-1/4" (1175)	70-1/8" (1785)	70-1/8" (1785)
	Width	32-3/16" (819)	32-3/16" (819)	32-3/16" (819)
	Height	46-5/16" (1176)	46-5/16" (1176)	46-5/16" (1176)
	Weight (lbs)	236 lbs. (107 kg)	339 lbs. (154 kg)	370 lbs. (168 kg)
PERLICK BAR EQUIPMENT	Ice Chest	TS30IC with sliding cover	TS30IC with sliding cover	TS30IC with sliding cover
	Insulated Bottle Well	TS12U	TS12U	TS12U
	Drainboard	N/A	TS12 (2 ea.)	TS12 (1 ea.)
	Hand Sink	N/A	N/A	TS12HSN with side splash
	Speed Rail	SR-S42A (1 ea.)	SR-S42A (1 ea.) SR-S12A (2 ea.)	SR-S42A (1 ea.) SR-S12A (2 ea.)
ELECTRICAL	Voltage	120V AC	120V AC	120V AC
	Frequency	60 Hz	60 Hz	60 Hz
	Phase	Single	Single	Single
	Amperage	0.3 A	0.4 A	13.3 A
	Connection	NEMA 5-15P	NEMA 5-15P	NEMA 5-15P
	Cord Length	12ft	12ft	12ft
LED BARTENDER TASK LIGHTING	Color Temperature	4000K	4000K	4000K
	Lumen Output	800 LM	1200 LM	1200 LM
WATER HEATER	Temperature Range	N/A	N/A	50°F - 140°F
	Tank Volume	N/A	N/A	1.5 gal
	Recovery time @ 60°^	N/A	N/A	8 minutes
WATER PUMP	Max Flow	N/A	N/A	3 GPM (11.3 LPM)
	Switch Off Pressure	N/A	N/A	45 PSI (3.1 bar)
GRAY WATER/ICE MELT TANK (PRE-PLUMBED)	Capacity	5 gal (18.9 L)	5 gal (18.9 L)	6 gal (22.7 L)
POTABLE WATER TANK (PRE-PLUMBED)	Capacity	N/A	N/A	5 gal (18.9 L)

LAMINATE EXTERIOR OPTIONS

				
<input type="checkbox"/> Black (BL)	<input type="checkbox"/> Pewter Brush (PB)	<input type="checkbox"/> Beige Suede (BS)	<input type="checkbox"/> Maple (MP)	<input type="checkbox"/> Red Maple (RM)
				
<input type="checkbox"/> Gray Sand (GS)	<input type="checkbox"/> Ebony Wood (EW)	<input type="checkbox"/> Amber Maple (AM)	<input type="checkbox"/> Mahogany (MH)	<input type="checkbox"/> Victorian Cherry (VC)

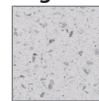
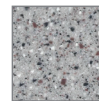
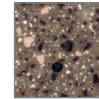
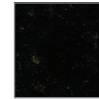
Note: Custom Vinyl wrap graphics available (Must call Perlick for quote and ordering process) - (VW)

BAR TOP OPTIONS

Standard

				
<input type="checkbox"/> Black (BL)	<input type="checkbox"/> Pewter Brush (PB)	<input type="checkbox"/> Beige Suede (BS)	<input type="checkbox"/> Maple (MP)	<input type="checkbox"/> Red Maple (RM)
				
<input type="checkbox"/> Gray Sand (GS)	<input type="checkbox"/> Ebony Wood (EW)	<input type="checkbox"/> Amber Maple (AM)	<input type="checkbox"/> Mahogany (MH)	<input type="checkbox"/> Victorian Cherry (VC)

Engineered Solid Surface

	
<input type="checkbox"/> White Quartz (WQ)	<input type="checkbox"/> Platinum Granite (PG)
	
<input type="checkbox"/> Allspice Quartz (AQ)	<input type="checkbox"/> Black Pearl (BP)

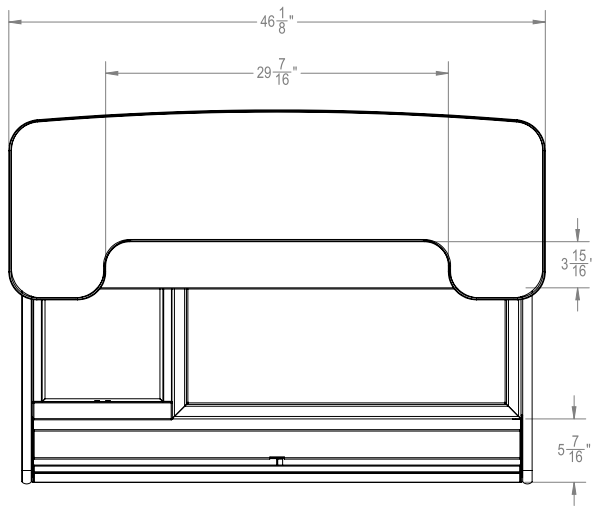
Stainless Steel


<input type="checkbox"/> Stainless Steel (SS)

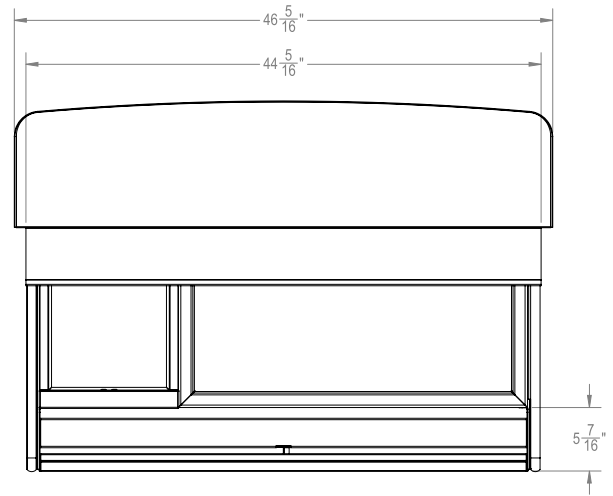


PERLICK MOBILE BARS

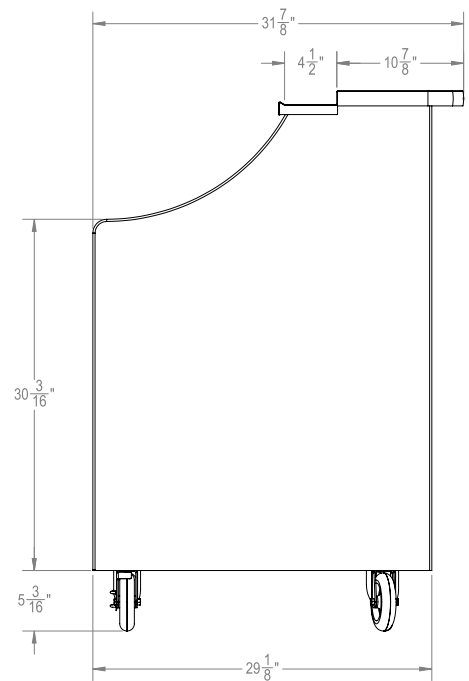
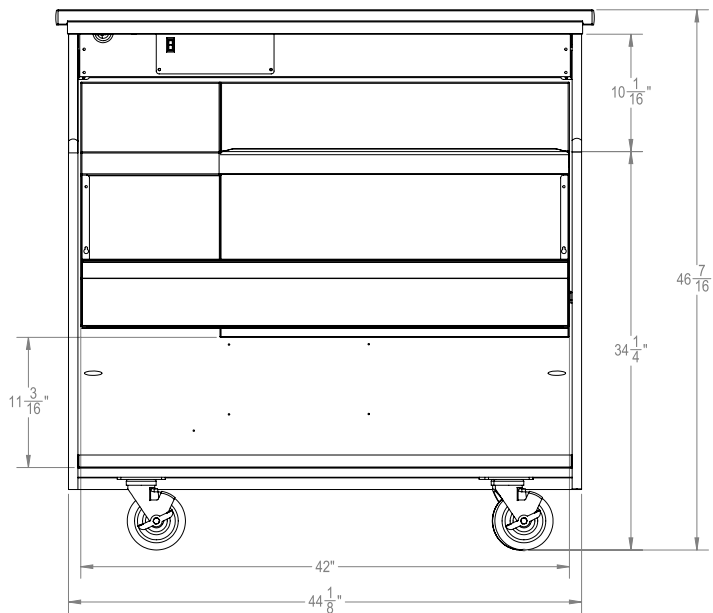
MOBS-42TS



Laminate Top



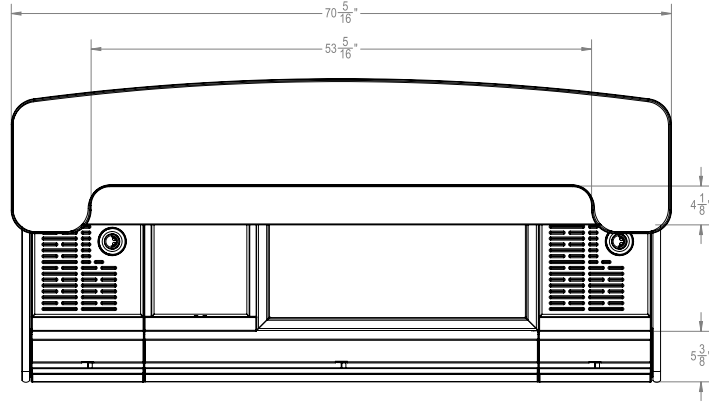
Stainless Steel Top



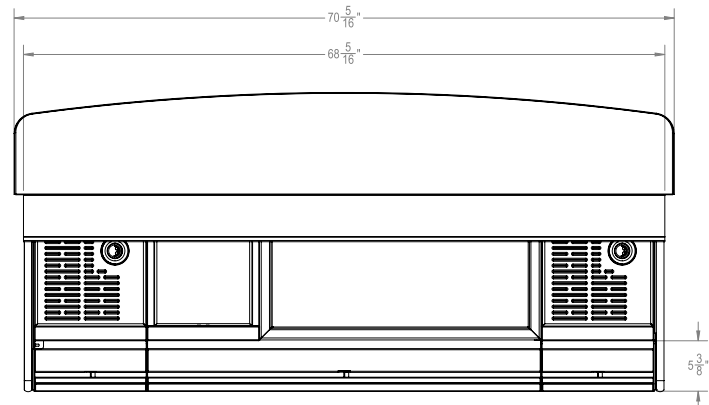


PERLICK MOBILE BARS

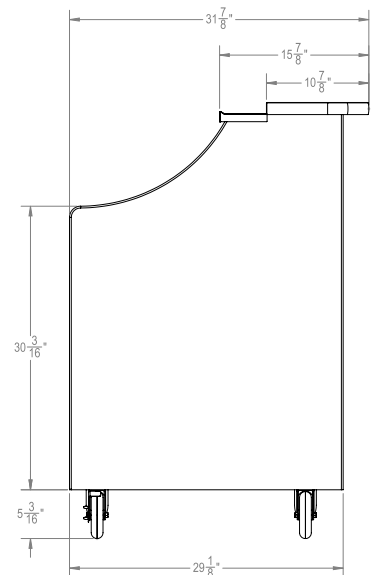
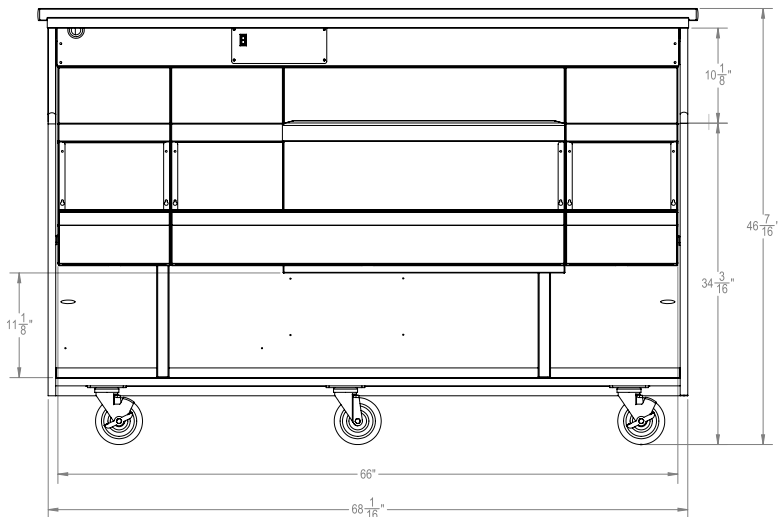
MOBS-66TS



Laminate Top



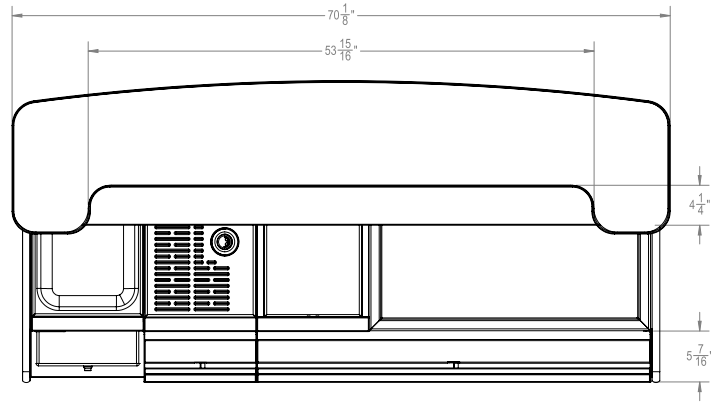
Stainless Steel Top





PERLICK MOBILE BARS

MOBS-66TS-S



Laminate Top

