



QuietQube® SF-3000C Remote Ice Cube Machine

Air-cooled Ice Cube Machine with Patented CVD Technology®

QuietQube® SF-3000C Remote Ice Cube Machine
Air-cooled Ice Cube Machine with Patented CVD Technology®

Model

- SDF3000C SYF3000C



SDF3000C Ice Machine - 115V



CVD Condensing Unit - 208-230/60/3

Standard Features

- **Quadzilla™ Evaporator System**– places four high-output individual evaporators in a compact 48" (121.92 cm) wide ice maker for up to 2,910 lbs. (1,320 kgs.) daily ice production.
- Quiet operation. Remotely located compressor eliminates most noise from the refrigeration system. Promotes relaxing atmosphere.
- Patented CVD® technology improves reliability and extends life of the compressor.
- Stainless steel tubular frame construction - for added strength and durability.
- Stainless steel exterior for superior corrosion resistance and durability.
- Not to be used in stacking configurations.

Warranty

- 5-year parts and 5-year labor coverage on ice machine evaporator.
- 5-year parts and 3-year labor coverage on ice machine compressor.
- 3-year parts-and-labor coverage on all other ice machine, dispenser, and storage bin components.

Specifications

Operating Limits:

- Ambient Temperature Range: 35° to 110°F (1.6° to 43.4°C)
- Water Temperature Range: 35° to 90°F (0.6° to 32.2°C)
- Water Pressure Ice Maker
Water In:
Min. 20 psi (137.9 kPa)
Max. 80 psi (551.1 kPa)

BTU Per Hour:

- 40,000 (average)
- 46,000 (peak)

Compressor:

Nominal rating: 4.5 HP

Ice Machine Electric

115/60/1 standard.

Minimum circuit ampacity: 2.0

Maximum fuse size: 15 amps

HACR-type circuit breakers can be used in place of fuses.

Ice Shape



Half Dice
3/8" x 1 1/8" x 7/8"
(.95 x 2.86 x 2.22 cm)



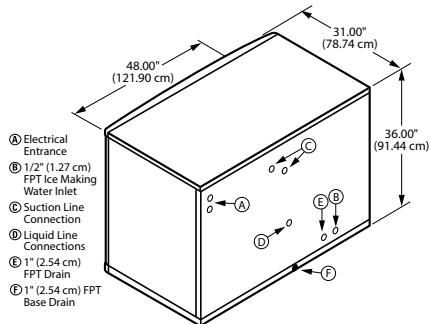
Dice
7/8" x 7/8" x 7/8"
(2.22 x 2.22 x 2.22 cm)



COMPANY WITH
QUALITY SYSTEM



SF-3000C Ice Machine



Shipping Weight: 423 lbs. / 192 kgs.

Installation Note: Recommended installation clearance—Top/sides 8" (20.3 cm), back: 24" (61 cm), although 24" (61 cm) is recommended on all sides. Bin drain—located in exact center of bin.

Accessories

- K-00391 Ice Deflectors (Set of 2)
- K-00395 Bin Thermostat
- NOTE: S-3000 not for use on B-970 Bin.

Space-Saving Designs



| | SF-3000C F-1300 | SF-3000C F-1325 |
|-------------|------------------------|------------------------|
| Height | 99.50" 252.73 cm | 90.50" 229.87 cm |
| Width | 48.00" 121.92 cm | 60.00" 152.40 cm |
| Depth | 31.00" 78.74 cm | 31.00" 78.74 cm |
| Bin Storage | 1,320 lbs. 599 kgs. | 1,325 lbs. 601 kgs. |

Height includes adjustable bin legs 6.00" to 8.00", (15.24 to 20.32 cm) set at 6.00" (15.24 cm).

*Depth at bin base, 39" including bin door.

Standard Interconnecting Tubing

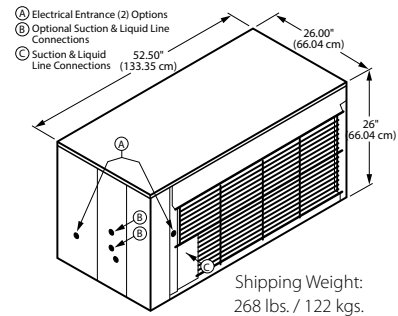
| Model | Line Length | | Weight | |
|-------|-------------|------|--------|------|
| | ft. | m. | lbs. | kgs. |
| RC-24 | 20 | 6.1 | 37 | 17 |
| RC-34 | 30 | 9.2 | 47 | 21 |
| RC-54 | 50 | 15.2 | 73 | 33 |

Remote Air-cooled Ice Machine

| Model | Ice Shape | Ice Production 24 Hours | | Power kWh/100 lbs. @ 90°Air/70°F | Water Usage/100 lbs. 45.4 kgs. of Ice |
|----------|-----------|-------------------------|-------------------|----------------------------------|---------------------------------------|
| | | 70°Air/50°F Water | 90°Air/70°F Water | | |
| SDF3000C | dice | 2,850 lbs. | 2,333 lbs. | 3 ph | Potable Water |
| | | 1,293 kgs. | 1,058kgs. | | |
| SYF3000C | half-dice | 2,910 lbs. | 2,400 lbs. | 4.75 | 21.5 gal. |
| | | 1,320 kgs. | 1,089 kgs. | | |

Order ice storage bin separately.

CVDF3000 Remote Condensing Unit



Condensing Unit Electric

208-230/60/3 standard.

HACR-type circuit breakers can be used in place of fuses.

Note: QuietQube ice machine is 115/60/1 and wired independent of CVD condensing unit.

Minimum circuit ampacity:

30 3ph

Maximum fuse size:

35 amps 3ph

HACR-type circuit breakers can be used in place of fuses.

Operating Limits:

- Ambient Temperature Range: -20° to 120°F (-29° to 49°C)

Installation Information and Dimensions:

Maximum Line Length

—100' (30.5 m).*

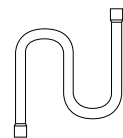
Maximum Vertical Rise*

—35' (10.7 m) above ice machine.

Maximum Vertical Drop

—15' (4.5 m) below ice machine.

*A rise over 20' (6 m) requires two S-Trap Kits K-00166 - ordered separately.



Welbilt reserves the right to make changes to the design or specifications without prior notice.