



RNF-0620 Nugget Ice Machine

Model

RNF-0620A

RNF-0620W



RNF-0620A Nugget Ice Machine on Multiplex SV-250 Dispenser

Model RNF-0620A Nugget Ice Machine on D-420 Bin

Features

- Bite sized nugget with 90% ice content offers one of the best ice to water ratios for maximum cooling and minimal drink dilution
- Up to 613 lbs. (278 kg) of daily ice production
- Perfect for beverage applications, dispensing, smoothies, and cold therapy
- Can be paired with a Multiplex beverage dispenser for an unbeatable soft drink experience
- Highload maintenance free bearings for enhanced reliability
- Evaporator is designed for maximum quality and operating life

COMMERCIAL WARRANTY

ICE MAKER	COMPRESSOR
3	5
YEAR PARTS	YEAR PARTS
3 YEAR LABOR	3 YEAR LABOR

Specifications

BTU per hour:
5,200 (average)
7,700 (peak)

Compressor:
Nominal rating: 1 HP

Refrigerant:
R-404A

Operating Limits:

- Ambient Temperature Range: 50° -110° F (10° -43° C)
- Water Temperature Range: 37° -90° F (3° -32° C)
- Water Pressure Ice Maker Water In:
Min. 14 psi (96.5 kPa)
Max. 80 psi (551.1 kPa)

Ice Machine Electric

115/60/1 standard. (230/50/1 also available.)

Minimum circuit ampacity:

Air-Cooled: 16.3
Water-Cooled: 15.4

Maximum fuse size:

Air-Cooled: 25 amps
Water-Cooled: 25 amps

HACR-type circuit breakers can be used in place of fuses.

Ice Shape

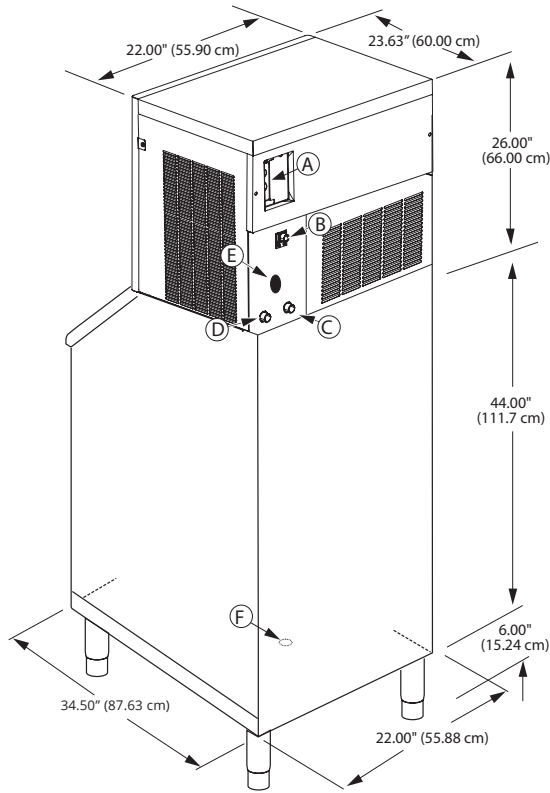
Nugget ice consists of small pieces ranging from 3/8" to 1/2" in width and length on average. Offers a 90% ice to water ratio with a soft, chewable texture while still providing maximum cooling effect and great dispensibility.



Ice shown actual size



RFF-0620 on D-420 Storage Bin



Installation Note -

Minimum installation clearance:
 Top/sides: 8" (20.32 cm),
 Back: 5" (12.70 cm).

- (A) Electrical Entrance (2) Options
- (B) 3/8" F.P.T. Condenser Inlet (water-cooled only)
- (C) 1/2" M.P.T. Condenser Drain (water-cooled only)
- (D) 1/2" M.P.T. Ice Making Water Drain
- (E) 3/8" F.P.T. Ice Making Water Inlet
- (F) 3/4" Bin Drain

Space-Saving Designs



RNF-0620 on D-420

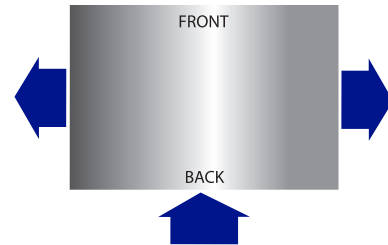
Height	76.00" 193.00 cm
Width	22.00" 55.90 cm
Depth	34.50" 87.63 cm
Bin Storage	310 lbs 140.7 kg

Height includes adjustable bin legs 6.00" to 7.00",
 (15.24 to 17.78 cm) set at 6.00" (15.24 cm).

Accessories

K-00472 30" B Style Bin Adapter

Air Flow Overhead View



Air in back, out sides.

	Model	Ice Shape	Ice Production 24 Hours		Power kWh/100 lbs @ 90°Air/70°F	Water Usage (100 lbs./45.4 kgs of Ice)	
			70° Air/50°F Water 21° Air/10° C Water	90° Air/70°F Water 32° Air/21° C Water		Potable Water	Condenser Water
			Standard	Standard			
AIR-COOLED	RNF-0620A	Nugget	591 lbs	451 lbs	5.81	12 gal	—
			268 kg	204 kg		45.4 L	—
WATER-COOLED	RNF-0620W	Nugget	613 lbs	508 lbs	4.32	12 gal	109 gal
			278 kg	230 kg		45.4 L	413 L

Welbilt reserves the right to make changes to the design or specifications without prior notice.