



Job _____ Item No. _____

Lang® Electric Range With Twin Standard Oven Base

R60S-ATA R60S-ATB R60S-ATC R60S-ATD R60S-ATE
R60S-ATF R60S-ATG R60S-ATH R60S-ATI R60S-ATJ



Model R60S-ATC

DESCRIPTION

Lang electric ranges are 60" wide heavy-duty electric heated units with twin standard ovens in the base. 450°F thermostat and full front landing simplifies and speeds plating.

SPECIFICATIONS

Range shall be a LANG Manufacturing Model R60S_[Specify one]:

- ATA, with 5 ea. 12" X 24" X 3/4" thick Hot Plates;
 - ATB, 2 ea. 8" diameter French Plates and 4 ea. 12" X 24" X 3/4" thick Hot Plates;
 - ATC, with 24" wide Griddle, 2 ea. 8" diameter French Plates & 2 ea. 12" X 24" X 3/4" thick Hot Plates;
 - ATD, with 36" wide Griddle, 2 ea. 8" diameter French Plates & 1 ea. 12" X 24" X 3/4" thick Hot Plate;
 - ATE, with 48" wide Griddle & 1 ea. 12" X 24" X 3/4" thick Hot Plates;
 - ATF, with 48" wide Griddle and 2 ea. 8" diameter French Plates;
 - ATG, with 60" wide Griddle; or
 - ATH, with 10 ea. 8" diameter French Plates
 - ATI, with 36" x 24" x 1/2" griddle & (4) 8" diameter French Plates;
 - ATJ with 24" x 24" x 1/2" griddle & (6) 8" diameter French Plates;
- a 60" wide heavy duty electric heated unit with twin standard ovens in base and 37-kW total power input; all stainless steel exterior; two fully insulated ovens with aluminized steel interiors, heavy-duty drop-down doors and one chrome plated oven rack [each] standard; individual oven and cook-top component controls; plus all the features listed.

WARRANTY

These units come with a two [2] year warranty for parts and labor.

VOLTAGE 208/60Hz 240/60Hz 480/60Hz
PHASE 1Ø 3Ø

FEATURES

- One piece heavy-duty 430 Series stainless steel exterior
- 12" high oven cooking compartments are aluminized steel
- Ovens are insulated on six sides
- Heavy duty hinge-down oven doors
- Adjustable oven rack slide supports
- One chrome-plated oven rack provided for each
- 6" adjustable legs standard
- Full width 2" high combination back riser & vent
- 3" wide full width front and back grease troughs
- 6" wide full width plate landing
- Grease drain in front & back trough with full width & depth spillage drawers
- Griddle Configurations include a one piece splash guard, back & sides
- Full front & rear grease troughs, grease drain & spillage drawers speed clean-up
- 1-piece unit fits through 36" wide door. No assembly required
- Full front landing simplifies and speeds plating
- Separate, independent controls allows simultaneous multi-function cooking
- 450°F thermostat
- Top & bottom element 3-heat switches

OPTIONS & ACCESSORIES

- 480 Volt, 3-phase model
- Set of 6" casters, two-locking, two fixed
- High storage rack [for mounting above any 60" Range]
- Extra wire pan racks [three provided as std.]
- 6" or 12" wide top spreader and front enclosure

CERTIFICATIONS





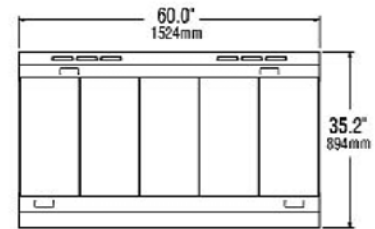
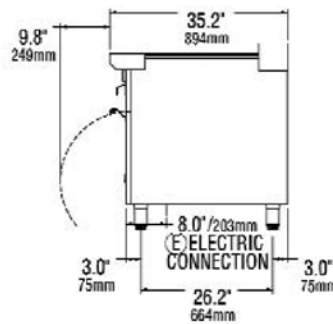
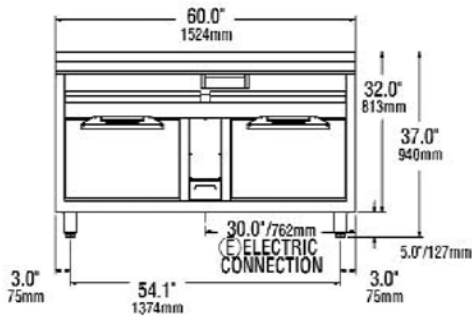
Lang® Electric Range With Twin Standard Oven Base

- R60S-ATA
 R60S-ATB
 R60S-ATC
 R60S-ATD
 R60S-ATE
 R60S-ATF
 R60S-ATG
 R60S-ATH
 R60S-ATI
 R60S-ATJ

- VOLTAGE** 208/60Hz 240/60Hz 480/60Hz
PHASE 1Ø 3Ø

CONFIGURATION GUIDE

Model Has:	R60S-ATA	R60S-ATB	R60S-ATC	R60S-ATD	R60S-ATE	R60S-ATF	R60S-ATG	R60S-ATH	R60S-ATI	R60S-ATJ
Oven Base:	2 each std.	2 each std.	2 each std.	2 each std.	2 each std.	2 each std.	2 each std.	2 each std.	2 each std.	2 each std.
Griddle:	-	-	24" wide	36" wide	48" wide	48" wide	60" wide	-	36" wide	24" wide
French Plates:	-	2 each	2 each	2 each	-	2 each	-	10 each	4 each	6 each
Hot Plates:	5 each	4 each	2 each	1 each	1 each	-	-	-	-	-
Pictogram: [Unit Top View]										



INSTALLATION REQUIREMENTS: 1. (E) Single 208/240V, 1/ 3-Phase; or 480V, 3-phase electrical connection 2. Unit is shipped in one piece 3. Power connection from bottom. See below

CLEARANCES: Sides: 4", Back: 4"

MODEL	HEIGHT ¹ in. (mm)	WIDTH [A] in. (mm)	DEPTH in. (mm)	VOLTS ¹	PHASE	AMPS/LiNE	APPROX. ² WEIGHT SHIPPING	APPROX. ² WEIGHT INSTALLED
R60S	32.0 (813)	60.0 (1,524)	35.2 (894)	208/60Hz	1Ø	177.9	295-330 lb. (132-150 kg)	245-280 lb. (111-127 kg)
				240/60Hz	1Ø	154.9		
				208/60Hz	3Ø	108.3		
				240/60Hz	3Ø	93.9		
				480/60Hz	3Ø	46.9		

¹ Height does not include legs ² Depending on configuration

Due to periodic changes in designs, methods, procedures, policies and regulations, the specifications contained in this sheet are subject to change without notice. While Star Manufacturing exercises good faith efforts to provide information that is accurate, we are not responsible for errors or omissions in information provided or conclusions reached as a result of using the specifications. By using the information provided, the user assumes all risks in connection with such use.



LANG MANUFACTURING • www.langworld.com
 10 Sunnen Drive • Saint Louis, Missouri 63143
 Telephone 314 678 6315 • Fax 314 781 3636

Printed in the U.S.A. • 2M-Z2xxxx • Rev - • 6.2017
 Please refer to the owner's manual for information regarding installation or use.