



Job _____ Item No. _____

Lang® Electric Radiant Clamshell

□CSE12AG



One (1) CSE12AG Clamshell mounted on a model 236TC Griddle -GRIDDLE SOLD SEPARATELY-

DESCRIPTION

The Radiant Clamshell has powerful infrared elements that activate when the hood is lowered to cook quickly. Excellent for proteins, and can re-thermalize much like a cheesemelter! 3" surface-to-surface clearance provides the flexibility you need for your menu.

SPECIFICATIONS

Upper cooking unit[s] shall be _____ ea. [Specify quantity] LANG Manufacturing Model CSE12AG 12" electric heated Clamshell® Hood[s]; to be bracket mounted on _____ wide [specify: 24", 36", 48", 60" or 72"] gas or electric griddle; with steel sheathed infrared heating elements, mounted in stainless steel hood, which is hinged to mounting bracket and spring assisted; auto-ON when unit is lowered; 3" gap from the griddle surface and all the features listed.

WARRANTY

These units come with a one [1] year warranty for parts and labor.

FEATURES

- Stainless steel, hinged, spring assisted upper broiler
- Mounted to full [griddle] width mounting bracket [See Table]
- Two sheathed steel infrared heating elements
- Two-sided cooking reduces cook times and increases production
- 1400°F infrared heating rapidly browns, seals in juices and speeds cooking
- 3" clearance from griddle handles variations in product thickness
- Modular 12" design allows customizing of 24"-72" griddles
- Instant-ON when Clamshell is lowered, STANDBY when lifted
- Power ON-OFF toggle switch mounted on control panel

OPTIONS & ACCESSORIES

- Clamshell Mounting Frames/Brackets

TWO-SIDED COOKING ORDERING GUIDE

YOUR GRIDDLE WIDTH	NUMBER OF CLAMSHELLS	MOUNTING BRACKET [REQUIRED]
24"	1-2	CSE12AMG-24
36"	1-3	CSE12AMG-36
48"	1-4	CSE12AMG-48
60"	1-5	CSE12AMG-60
72"	1-6	CSE12AMG-72

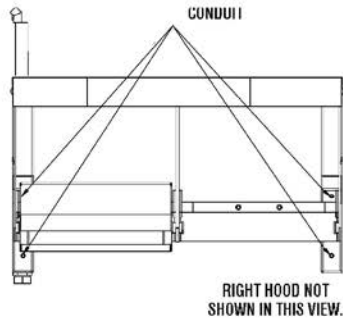
CERTIFICATIONS



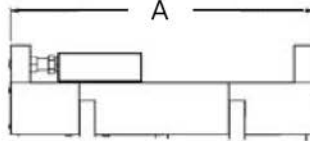


Lang® Electric Radiant Clamshell

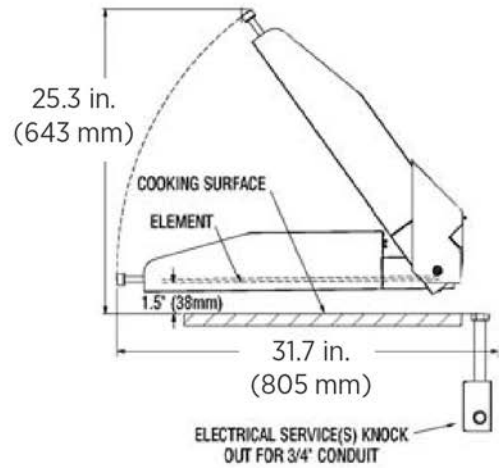
□CSE12AG



[Front View/Elevation]



[Top View/Plan]



[Right Side View]

INSTALLATION REQUIREMENTS 1. Must be mounted to specific Lang gas or electric griddle 2. Griddle Mounting Bracket Required
3. Ⓜ208V or 240V, single-phase power connection

HOOD SPECS							
FOR GRIDDLE WIDTH	HEIGHT in. (mm)	WIDTH (NOT INCLUDING GRIDDLE) [A] in. (mm)	DEPTH in. (mm)	HOODS CONNECT ²	MAX. HOODS	APPROX. SHIP WEIGHT ¹ (ea.)	APPROX. WEIGHT INSTALLED (ea.)
24"	25.3 (643)	24.0 (610)	31.7 (805)	1	2	45 lb. (20 kg)	39 lb. (18 kg)
36"	25.3 (643)	36.0 (914)	31.7 (805)	1 OR 2 ²	3	45 lb. (20 kg)	39 lb. (18 kg)
48"	25.3 (643)	48.0 (1,219)	31.7 (805)	1 OR 2 ²	4	45 lb. (20 kg)	39 lb. (18 kg)
60"	25.3 (643)	60.0 (1,524)	31.7 (805)	1 OR 2 ²	5	45 lb. (20 kg)	39 lb. (18 kg)
72"	25.3 (643)	72.0 (1,829)	31.7 (805)	1, 2 OR 3 ²	6	45 lb. (20 kg)	39 lb. (18 kg)

MOUNTING FRAME SPECS		
FOR GRIDDLE WIDTH	MODEL	APPROX. WEIGHT INSTALLED (ea.)
24"	CSE12AMG-24	35 lb. (15.9 kg)
36"	CSE12AMG-36	53 lb. (24.1 kg)
48"	CSE12AMG-48	70 lb. (31.8 kg)
60"	CSE12AMG-60	88 lb. (40 kg)
72"	CSE12AMG-72	105 lb. (47.7 kg)

¹Hoods are factory installed over griddle, freight class is 65 for gas griddle and 85 for electric griddle. Refer to griddle specification for additional griddle weight. ²Maximum of 2 hoods per service connection

CSE12AG	VOLTAGE	KW PER PHASE	TOTAL KW	1 PHASE
1 HOOD EACH	208VAC/60Hz	3.2	3.2	15.4A
1 HOOD EACH	240VAC/60Hz	3.2	3.2	13.3A
2 HOODS EACH	208VAC/60Hz	6.4	6.4	30.8A
2 HOODS EACH	240VAC/60Hz	6.4	6.4	26.7A

Due to periodic changes in designs, methods, procedures, policies and regulations, the specifications contained in this sheet are subject to change without notice. While Star Manufacturing exercises good faith efforts to provide information that is accurate, we are not responsible for errors or omissions in information provided or conclusions reached as a result of using the specifications. By using the information provided, the user assumes all risks in connection with such use.



LANG MANUFACTURING • www.langworld.com
10 Sunnen Drive • Saint Louis, Missouri 63143
Telephone 314 678 6315 • Fax 314 781 3636

Printed in the U.S.A. • 2M-Z2xxx • Rev - •6.2017
Please refer to the owner's manual for information regarding installation or use.