



Job _____ Item No. _____

Lang® Electric 30" Ranges

Induction Top Range with Convection Oven Base RI30C-ATE

Induction Top Range with Standard Oven Base RI30S-ATA

Convection Oven Base R30C-ATA R30C-ATB R30C-ATC

R30C-ATD R30C-ATE R30C-ATF

Standard Oven Base R30S-ATA R30S-ATB R30S-ATC

R30S-ATD R30S-ATE R30S-ATF



Model RI30S-ATA



Model R30C-APD

VOLTAGE 208/60Hz 240/60Hz 480/60Hz

PHASE 1Ø 3Ø

FEATURES

- Heavy duty 430 stainless steel exterior insulated on six sides
- 150-450°F oven thermostat with 60-minute timer and alarm
- 2.75" wide full front grease trough, grease drain & spillage drawers
- 1" high range-top back stop
- 4" casters standard
- Griddle configurations include a one piece splash guard, back & sides
- All ranges are factory wired for 3-phase service. 208 or 240V service may be wired 1 phase by the installer

STANDARD OVEN

- Aluminized steel cooking chamber
- One center rack guide with chrome plated rack
- Heavy-duty, hinge-down oven door
- Two 3-heat switches for oven

CONVECTION OVEN

- 430 stainless steel oven interior
- Heavy duty compartment door, with large double pane tempered glass window
- Nine position oven rack slide supports
- Five chrome-plated oven racks provided
- Heavy duty right hinged door with magnetic closure
- ON-OFF power switch
- Simple knob-set time and temperature controls
- Two speed fan with fan pulse capability
- HIGH-LOW speed fan switch

OPTIONS & ACCESSORIES

- 480 Volt, 3-phase model
- Set of 6" casters, two-locking, two fixed
- High Storage Rack [for mounting above any 30" Range]
- Extra wire pan racks [Three provided as std.]

CERTIFICATIONS



DESCRIPTION

Lang electric ranges are 30" wide heavy-duty electric heated units with a standard oven, or convection oven in the base.

SPECIFICATIONS

Range shall be a LANG Manufacturing Model R30__-___ [Specify one]:

- RI30__-ATA/E, with 4 ea. 8" diameter Induction Tops
- ATA, with 4 ea. 8" diameter French Plates;
- ATB, with 1 ea. 12" X 24" X 3/4" thick Hot Plate and 2 ea. 8" diameter French plates
- ATC, with 2 ea. 12" X 24" X 3/4" thick Hot Plates; org
- ATD, with 1 ea. 18" X 24" X 3/4" thick griddle plate and 2 ea. 8" diameter French plates
- ATE, with 1 ea. 18" X 24" X 3/4" thick griddle plate and 1 ea. 12" X 24" X 3/4" thick hot plate

ATF, 30" X 24" X 3/4" thick Griddle

...A 30" wide heavy duty electric heated unit with five half size pan capacity convection oven base and 18.2 kW total power input; all stainless steel exterior; fully insulated oven with stainless steel interior, heavy duty door hinged left, with double pane viewing window and five chrome plated oven rack standard; with individual cook-top component controls; plus all the features listed and options/accessories.

WARRANTY

These units come with a two [2] year warranty for parts and labor.

LANG MANUFACTURING • www.langworld.com
10 Sunnen Drive • Saint Louis, Missouri 63143
Telephone 314 678 6315 • Fax 314 781 3636

Printed in the U.S.A. • 2M-ZZxxxx • Rev - • 6.2017
Specifications are subject to change without notice
and are not intended for installation purposes.

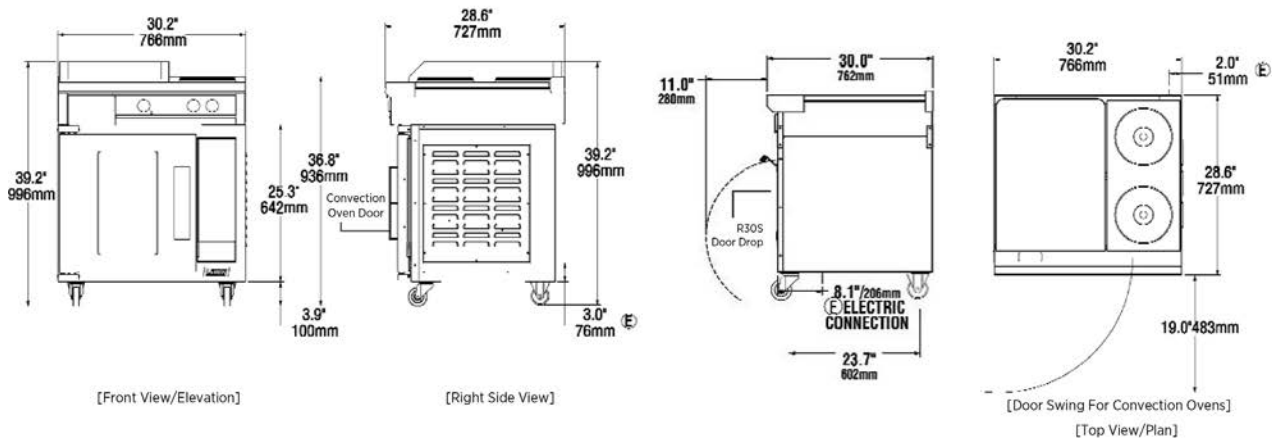


Lang® Electric 30" Ranges

Induction Top Range with Convection Oven Base RI30C-ATE
 Induction Top Range with Standard Oven Base □RI30S-ATA
 Convection Oven Base □R30C-ATA □R30C-ATB □R30C-ATC
 □R30C-ATD □R30C-ATE □R30C-ATF
 Standard Oven Base □R30S-ATA □R30S-ATB □R30S-ATC
 □R30S-ATD □R30S-ATE □R30S-ATF

VOLTAGE PHASE □208/60Hz □240/60Hz □480/60Hz
 □1Ø □3Ø

Range Option:	Induction - A	A	B	C	D	E	F
Description	(4) 8" dia Induction Tops	(4) 8" dia French Tops	(1) 12 x 24 x ¾ thick Hot Top (2) 8" dia French Tops	(2) 12 x 24 x ¾ thick Hot Tops	(1) 18 x 24 x ¾ thick Griddle Plate (2) 8" dia French Top	(1) 18 x 24 x ¾ thick Griddle Plate (1) 12 x 24 x ¾ thick Hot Top	(1) 30 x 24 x ½ thick Griddle Plate
Pictogram: [Unit Top View]							



INSTALLATION REQUIREMENTS: 1. (E) Single 208/240V, 1/ 3-Phase; or 480V, 3-phase electrical connection 2. Unit is shipped in one piece 3. Power connection from bottom. See below.

CLEARANCES: Sides: 4", Back: 4"

MODEL	DESCRIPTION	HEIGHT ¹ in. (mm) [A]	WIDTH in. (mm)	DEPTH in. (mm)	VOLTS ¹ 60Hz	PHASE	AMPS/LINE	TOTAL kW	APPROX. ² WEIGHT SHIPPING	APPROX. ² WEIGHT INSTALLED
RI30S-ATA	30" Electric Induction Top Range with Convection Oven Base	36.0 (914)	30.2 (766)	30.0 (762)	208V	1Ø	67.3	14.0	320-412 lb. (145-187 kg)	270-310 lb. (123-141 kg)
					240V	1Ø	58.3			
					208V	3Ø	41.7			
					240V	3Ø	36.1			
RI30C-ATE	30" Electric Induction Top Range with Standard Oven Base	36.0 (914)	30.2 (766)	30.0 (762)	208V	1Ø	87.5	18.2	320-412 lb. (145-187 kg)	270-310 lb. (123-141 kg)
					240V	1Ø	54.0			
					208V	3Ø	75.8			
					240V	3Ø	47.0			
R30C	30" Electric Range With Convection Oven Base	32.0 (942)	30.2 (766)	30.0 (762)	208V	1Ø	95.2	19.8	320-412 lb. (145-187 kg)	270-310 lb. (123-141 kg)
					240V	1Ø	82.5			
					208V	3Ø	57.6			
					240V	3Ø	50.0			
					480V	3Ø	25.0			
R30S	30" Electric Range With Standard Oven Base	38.2 (970)	30.2 (766)	30.0 (762)	208V	1Ø	67.3	14.0	320-412 lb. (145-187 kg)	270-310 lb. (123-141 kg)
					240V	1Ø	58.3			
					208V	3Ø	41.7			
					240V	3Ø	36.1			
					480V	3Ø	18.1			

¹ Height With standard 4" casters ² Depending on configuration

Due to periodic changes in designs, methods, procedures, policies and regulations, the specifications contained in this sheet are subject to change without notice. While Lang Manufacturing exercises good faith efforts to provide information that is accurate, we are not responsible for errors or omissions in information provided or conclusions reached as a result of using the specifications. By using the information provided, the user assumes all risks in connection with such use.



LANG MANUFACTURING • www.langworld.com
 10 Sunnen Drive • Saint Louis, Missouri 63143
 Telephone 314 678 6315 • Fax 314 781 3636

Printed in the U.S.A. • 2M-Z2xxx • Rev - • 6.2017
 Please refer to the owner's manual for information regarding installation or use.