

SuzyQ™

Dining Room Meal Serving System

Models □ 6754 □ 6755

The Solution For Creating A Person-Centered Dining Environment



Model 6755



Model 6754



Control Panel, Well Drain



Well(s) With Drain



Retractable Bar For Bins



Features

- Stainless steel construction with wide choice of laminate finishes
- One or two hot food wells to hold a variety of insert pan sizes (pans not included)
- Individual controls for hot well(s); well(s) feature drain with drain hose and flow valve
- Built-in plate compartment
- Pull-out drawers (Model 6755) accommodate two ea. full size insert pans
- Non-marking rotational corner bumpers
- NSF listed, exceeds CMS regulations

Benefits

- Person-centered, direct interaction between food service staff and residents
- Substantial decrease in food waste
- Fast, efficient and hot meal delivery for greater meal satisfaction
- Empowered residents in meal decision

Implementation Support

- Purchase comes with access to educational e-mail, phone, and webinar support from Registered Dietitian
- Includes comprehensive staff training guide

Staff Training Guide



Specifications

Unit shall be of stainless steel welded construction to accommodate with choice of laminate exterior finish. Top shall be of 16-gauge stainless steel with one or two electrically heated wells installed. Well(s) shall feature individual control(s) with single manifold drain and drain hose with flow shut-off. Cabinet sides shall be 18-gauge stainless steel under exterior laminate. Control panel, power cord and drain flow valve shall be recessed behind a hinged, vented stainless steel end door. Cabinet base shall have corner bumpers with rotating non-marking wheels to prevent damage and marks on walls and doors. Top front of cabinet shall have a full-width retractable bar to accommodate 1/6 size pans for garnishes and ingredients. Unit shall have built-in 9" H x 11" D plate storage compartment and an ergonomic tubular push handle. Casters shall 6" diameter, all-swivel, two with brake and two with directional lock. Unit shall be NSF listed.

Model 6754 - shall have one ea. 1200W 12" x 27" heated well with dial control, storage compartment with four sets of ledges at 3" spacing to accept 15" x 20" trays.

Model 6755 - shall have a 2415W modular heated well with 2 ea. 12 x 20 wells with individual dial controls, and two storage drawers with fixed divider that accept two 6" deep full size pans each.

Spec. # _____

AIA # _____

Lakeside Manufacturing, Inc.

4900 West Electric Avenue • West Milwaukee, WI 53219 U.S.A.

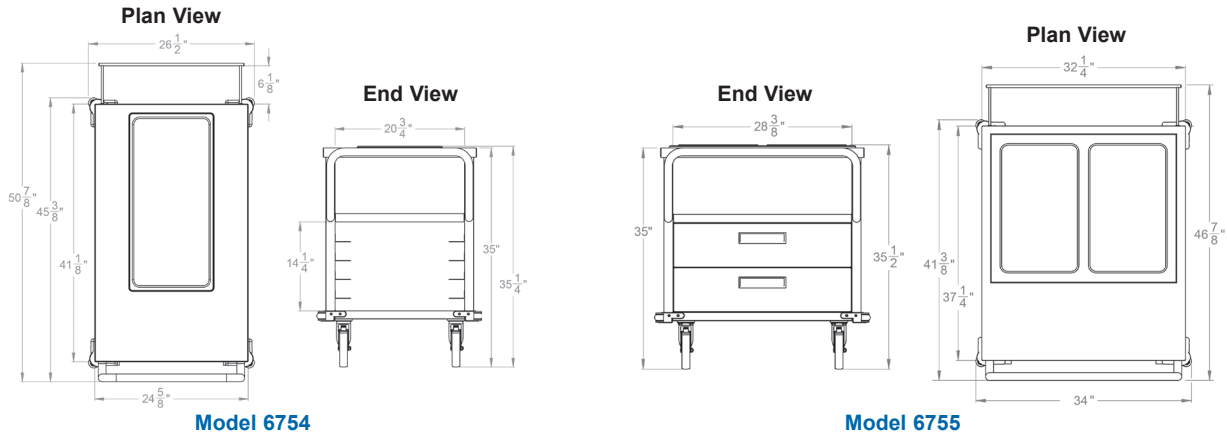
800-558-8565 • 414-902-6400 • Fax 414-902-6446 • info@eLakeside.com • www.eLakesideFoodservice.com

Models

6754
6755



Dining Room Meal Serving System



Model Information:

Model	Overall Size			Heated Well(s)	Interior Storage	Casters		Ship Wt. Lbs. (Kg)
	W	L	H			Type	Dia.	
<input type="checkbox"/> 6754	26 1/2" (673)	45 3/8" (1153)	35 1/4" (895)	1 Ea. 12" x 27" (305 x 686)	4 ea. ledges for 15" x 20" trays	All swivel 2 ea. w/brake,	6" (152)	270 (122.5)
<input type="checkbox"/> 6755	34" (864)	41 3/8" (1051)	35 1/2" (902)	2 Ea. 12" x 20" (305 x 508)	2 ea. drawers for full size pans	2 ea. w/ directional lock		336 (152.4)

Dimensions in () denote metric millimeters, unless otherwise noted.

Optional Accessories

- Heated top drawer* (Model 6755, 4" deep pan)
- Poly cutting board
- Removable food shield
- Heated plate shelf (Model 6755)*
- Swivel menu holder
- Custom laminate finish
- Magnetic graphic panels (Available with Black vinyl or stainless steel finish only.)

*Requires 208 VAC, 20 Amp with 6-20P plug.

Electrical Specifications

Model	VAC	Plug	Amps
6754	110/120	NEMA 5-15	15
6755	208	NEMA 6-15	15

Standard Laminate Finishes

- Hard Rock Maple
- Beige Slate
- Red Maple
- Earth Wash
- Gray Sand
- Ashen Ribbonwood
- Walnut
- Sepia Mineral
- Sand Stone
- Black (vinyl)

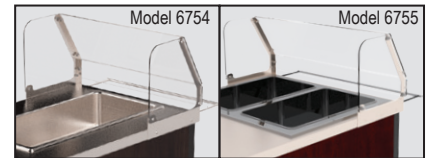
Custom Finishes Available

Optional Magnetic Graphic Panels

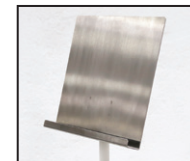
(Stainless steel or Black vinyl finishes only)

- Italian
- Barbeque
- Mexican
- Ice Cream
- Bakery

Optional Removable Food Shields



Optional Menu Holder



Lakeside Manufacturing, Inc.
4900 West Electric Avenue • West Milwaukee, WI 53219 U.S.A.
800-558-8565 • 414-902-6400 • Fax 414-902-6446
info@eLakeside.com • www.eLakesideFoodservice.com

