

Coffee Kiosk

Mobile Stainless Steel

Model 6120

Model 6120
Shown with optional
Deluxe Accessory
Package and high-
resolution graphics

Merchandise Profitable Coffee Drinks In High Traffic Locations

Benefits

- Rolls easily to serving location
- Colorful graphics attract patrons

Features

- Durable welded stainless steel square tube frame construction
- Top-mounted panel conceals coffee brewing equipment
- Available decorative overstructure with merchandising sign and pendant lights
- Endless choice of exterior front décor panels with black end panels
- Interior storage compartments with removable shelves

Castors

- Heavy-duty 5" diameter casters with rounded cushion-tread for quiet, easy movement

Specifications:

Shall be Lakeside **Model 6120** and shall be of welded stainless steel construction, with decorative laminate exterior sides and structural stainless steel square tubular construction. Body frame shall be welded and polished, and shall include channel framework at ends and front to accept décor panels. Counter top shall be made of 14-gauge 304 stainless steel with 1½" top turndown and stainless steel support channels. Interior compartments shall include a removable stainless steel undershelves, with 3" space from the counter front to allow space to run plumbing and electrical connections. Interior work panel shall accommodate optional cup dispensers and/or optional insulated compartment for whipped cream storage. A 22½" x 22" front panel shall be mounted to the top for concealment of coffee making equipment or merchandising/menu placement. Exterior front shall include black epoxy powder coated kickplates mounted to the counter frame. Removable exterior décor panels shall be ½" thick laminated on front, edges, and back. End panels shall be removable (except when ordered with electrical outlets or drop leaves) without the use of tools.

DELUXE ACCESSORY PACKAGE

- Black overhead frame with sign
- Pendant lights (2)
- Cup dispensers (2)
- Chilled compartment for whipped cream

Options:

- 208 VAC 50 Amp power supply
- Custom graphic front panels

Spec. # _____

AIA # _____

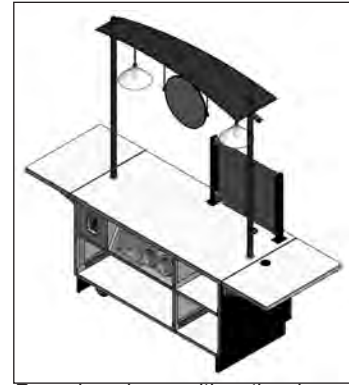
Lakeside Manufacturing, Inc.

4900 West Electric Avenue • West Milwaukee, WI 53219 U.S.A.

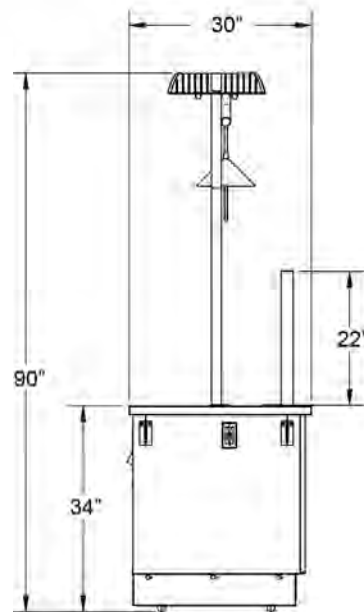
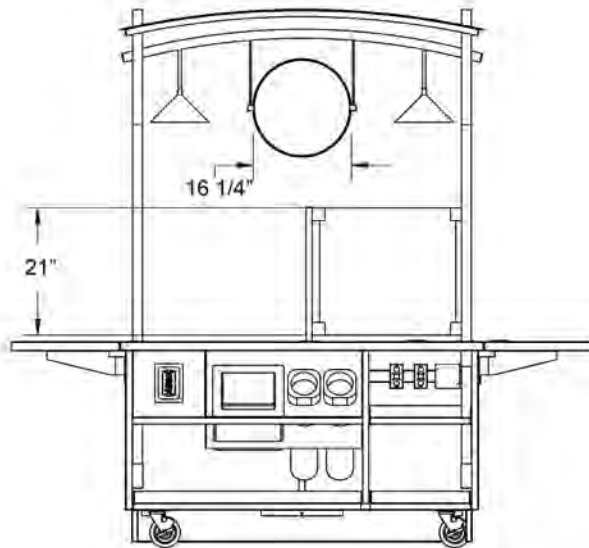
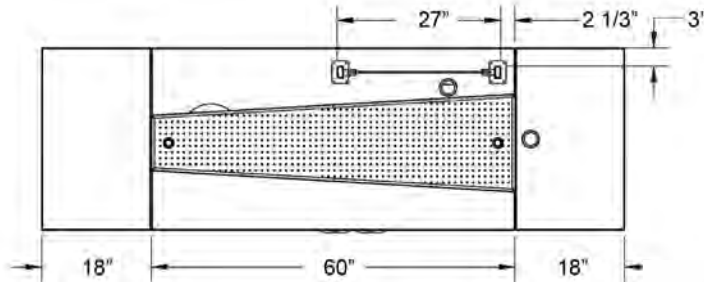
800-558-8565 • 414-902-6400 • Fax 414-902-6446 • info@eLakeside.com • www.eLakesideFoodservice.com

Coffee Kiosk

Mobile Stainless Steel



Rear view shown with optional decorative overstructure and pendant lights, cup dispensers and insulated storage compartment.



Spec. #

AIA #

Model Detail

Model	Overall Size			Interior Compartments			Top W x L	Leaves Dn		Casters		Ship Wt. Lbs.
	W	D	H ¹	W	D	H		W	D	Type	Dia.	
6120	60"	30"	56"	Lower Left 35½" 23½" 9" Upper Right 15" 23½" 11" Upper Right 15" 23½" 13"	30" x 60"	72"	30"	2 Ea. Swivel/Brake 2 Ea. Fixed	5"	515		

¹ With overhead frame O.A. height is 90".

Walnut

Gray Sand

Light Maple

Victorian Cherry

Standard Front Panel Laminate Finishes

Beige Suede

Hard Rock Maple

Red Maple

Red

Green

Black

Royal Blue

Purple

Custom Finishes Available



Lakeside Manufacturing, Inc.
 4900 West Electric Avenue • West Milwaukee, WI 53219 U.S.A.
 800-558-8565 • 414-902-6400 • Fax 414-902-6446
 info@eLakeside.com • www.eLakesideFoodservice.com