

Multi-Terrain Mobility™

Heavy-Duty Transport Cart - Stainless Steel

Models 155046
155047



Model 155047

Rugged Design For Moving The Heaviest Cargo Loads Across Rough Terrains And Long Distances.

Features

- Patent-pending handle design for push/pull maneuverability
- Durable U-frame welded construction
- Rugged pneumatic casters, 2 rigid, 2 swivel with brake
- Ergonomic handle height for maximum leverage
- Dual top handles
- 700 lb. total load capacity
- Corner top bumpers

Benefits

- Unique handle design allows for maximum leverage with heavy loads over all types of surfaces
- Designed for the roughest terrains and long trips
- Dual-handle design allows two-person guided transport for challenging outdoor use
- Large wheels roll smoothly over thresholds and uneven surfaces
- Sturdy shelves with edges on 3 sides hold cargo securely while providing easy loading/unloading



Handle in closed position for pushing motion



Handle in open position for pulling motion

Specifications

Unit is of welded stainless steel U-frame construction with three 18-gauge shelves. Shelves have 1" turned up edge on three sides. Leg frames are 1/8" angle stainless steel. Bottom shelf has guard rail on ends. One end of unit has patent-pending bottom hinged handle that swings from frame to allow for safe pulling by operator, or two-person operation. Movable handle locks into upright position in frame for conventional pushing action. Casters are 6" or 8" pneumatic, two ea. swivel with brake and two ea. rigid, with 2" wide ribbed tread. Casters are plate-mounted to reinforced stainless steel crossmembers.

Spec. # _____

A/A # _____

Lakeside Manufacturing, Inc.

4900 West Electric Avenue • West Milwaukee, WI 53219 U.S.A.

800-558-8565 • 414-902-6400 • Fax 414-902-6446 • info@eLakeside.com • www.eLakesideFoodservice.com

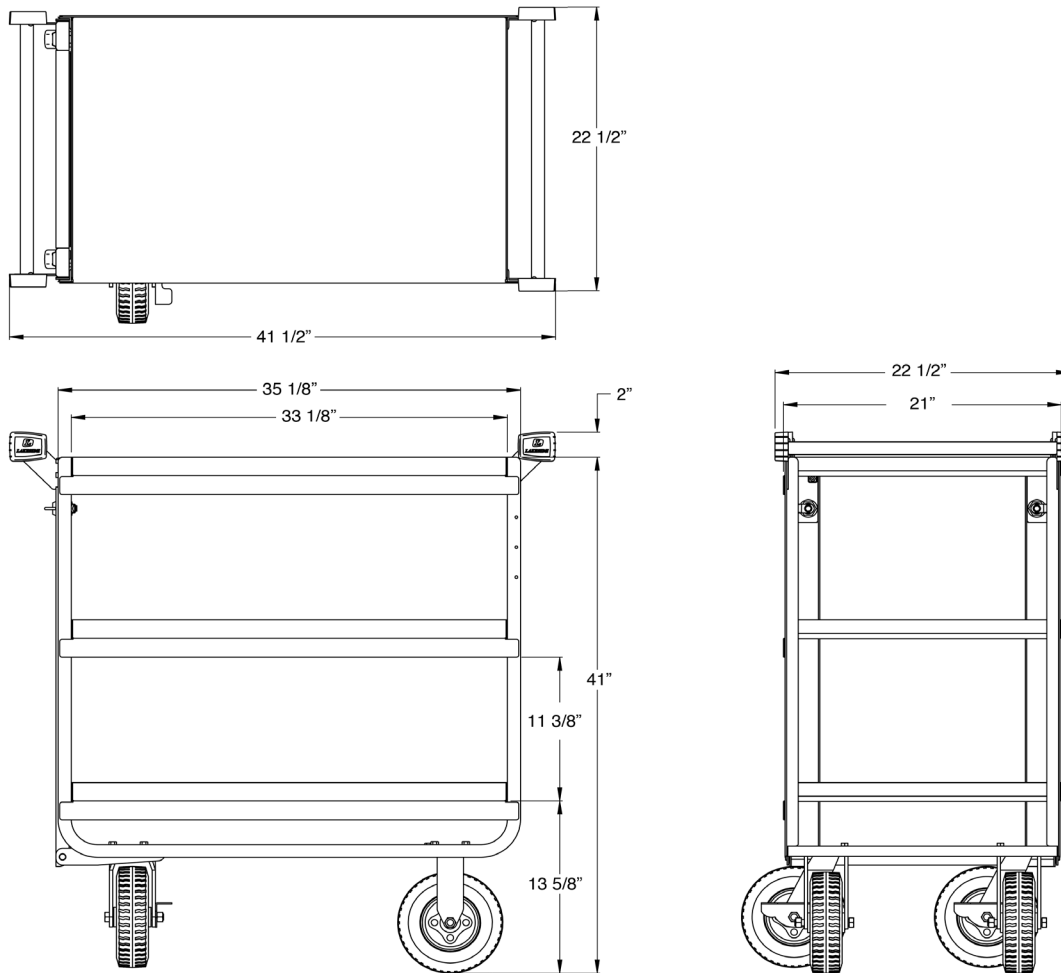
Models

155046

155047

Multi-Terrain Mobility™

Heavy-Duty Transport Cart - Stainless Steel



Model 155047

Model Information:

Model	Overall Size			Casters		Ship Wt. Lbs. (Kg)
	L	W	H	Type	Dia.	
155046	41½"	22½"	41¾"	2 ea. Swivel w/Brake	6"	94 (42.6)
	(1054)	572	1060)	2 ea. Rigid	(152)	
155047	41½"	22½"	43"	2 ea. Swivel w/Brake	8"	96 (43.5)
	(1054)	572	1092)	2 ea. Rigid	(203)	

Dimensions in () denote metric millimeters, unless otherwise noted.



Lakeside Manufacturing, Inc.
 4900 West Electric Avenue • West Milwaukee, WI 53219 U.S.A.
 800-558-8565 • 414-902-6400 • Fax 414-902-6446
 info@eLakeside.com • www.eLakesideFoodservice.com