



Model: _____ Item #: _____ Date: _____

Project: _____ Qty: _____ Approved By: _____

Self-Contained Sliding Door Pass Thru Back Bar Cooler

REFRIGERATION



AVAILABLE WITH LEFT OR RIGHT SIDE COMPRESSOR

Optional Accessories

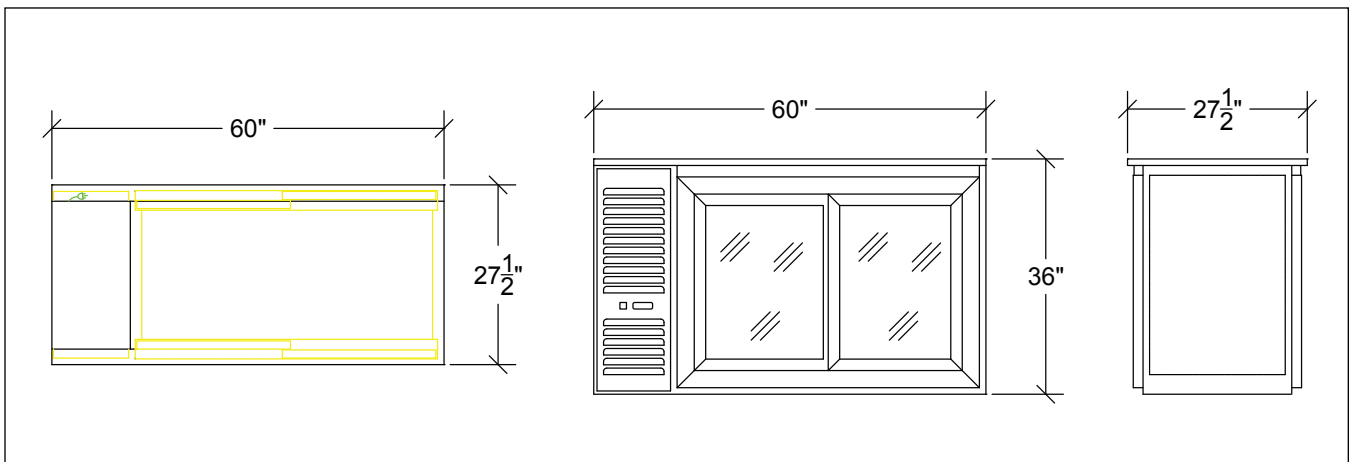
BS-100	Four 6" Stainless Steel Legs
BS-102	Four 4" Stainless Steel Legs
BS-106	Left Side Stainless Steel Kick Plates
BS-107	Right Side Stainless Steel Kick Plate
BS-108	Four 3" Casters with Brakes
BS-160	60" Stainless Steel Front Kick Plate
BC-130	1" Ultra Low Profile Casters w/ Brakes
BC-132	Four 2" Low Profile Casters w/ Brakes
BC-134	Four 3" Casters w/ Brakes

Standard Features

Electrical	115 V, 1 Phase, 60 Hz. Furnished with 8'-0" plug-in cord, which exits left rear of cooler. NEMA 5-15P Plug Configuration. Dedicated 15 Amp circuit recommended. 6.0 Full Load Amps, 1/4 HP
Refrigeration	Self-contained 134A Refrigerant. 30°F - 40°F operating range. Digital Thermostat on front grille.
Case Capacity	Long Neck Bottle: 15.5 12 oz. Cans: 20 Wine Bottles (each): 162
Interior	20 gauge stainless steel with coved corners. Two adjustable epoxy coated wire shelves with floor rack per door. Door Opening: 29-11/16" high x 19-15/16" wide
Exterior	Sides: 20 gauge stainless steel Front: Black vinyl w/ glass doors Back: Black vinyl w/ glass doors Top: Stainless steel top
Insulation	2" thick foamed-in-place polyurethane
Plumbing	No drain connection required. Condensate evaporator pan included.

This equipment is intended for the storage and display of non-potentially hazardous bottle or canned products only.

Specifications



Note: Optional casters raise height 1" higher than wheel size

Note: Optional 4" or 6" legs available



CONFORMS TO UL Std 471 & NSF STD 7