



Model: _____ Item #: _____ Date: _____

Project: _____ Qty: _____ Approved By: _____

Self-Contained Pass Thru Back Bar Refrigeration

Royal Series Refrigeration



KPT60L shown with optional Stainless Steel Top, Glass Doors



Specifications

Refrigeration	<ul style="list-style-type: none"> Self-contained R290 Hydrocarbon Refrigerant 30°F-40°F operating range (set at 35°F) unless specified otherwise 																								
	<ul style="list-style-type: none"> 115 V, 1 Phase, 60 Hz. Furnished with 8'-0" plug-in cord, which exits left rear of cooler NEMA 5-15P plug configuration Dedicated 15 amp circuit recommended 																								
Electrical	<ul style="list-style-type: none"> KPT36L: 2.8 full load amps, 1/5 HP KPT52L: 4.8 full load amps, 1/4 HP KPT60L: 4.8 full load amps, 1/4 HP KPT72L: 4.8 full load amps, 1/4 HP KPT84L: 5.8 full load amps, 1/3 HP 																								
	<table border="1"> <thead> <tr> <th></th> <th>36"</th> <th>52"</th> <th>60"</th> <th>72"</th> <th>84"</th> </tr> </thead> <tbody> <tr> <td>Long Neck Bottles</td> <td>7</td> <td>12</td> <td>15.5</td> <td>19</td> <td>24.5</td> </tr> <tr> <td>12 oz. Cans</td> <td>10</td> <td>20</td> <td>23</td> <td>30</td> <td>34</td> </tr> <tr> <td>Wine Bottles</td> <td>72</td> <td>126</td> <td>162</td> <td>180</td> <td>248</td> </tr> </tbody> </table>		36"	52"	60"	72"	84"	Long Neck Bottles	7	12	15.5	19	24.5	12 oz. Cans	10	20	23	30	34	Wine Bottles	72	126	162	180	248
		36"	52"	60"	72"	84"																			
	Long Neck Bottles	7	12	15.5	19	24.5																			
	12 oz. Cans	10	20	23	30	34																			
	Wine Bottles	72	126	162	180	248																			
Interior	<ul style="list-style-type: none"> 20 gauge stainless steel with coved corners NSF epoxy coated durable wire shelves (one bottom and two adjustable shelves per door) Floor rack per door Standard Door opening: 19-15/16"W x 29-11/16"H Narrow Door opening: 15-15/16"W x 29-11/16"H 																								
	Exterior	<ul style="list-style-type: none"> Sides: 20 gauge stainless steel or black vinyl Front: 20 gauge stainless steel, black vinyl or glass Back: 20 gauge stainless steel, black vinyl or glass Top: 20 gauge galvanized steel with option of stainless steel 																							
		Insulation	<ul style="list-style-type: none"> 2" thick foamed-in-place polyurethane 																						
		Plumbing	<ul style="list-style-type: none"> No drain connection required Condensate evaporator pan included 																						

Standard Features

- Doors on both sides make it accessible from front & back
- 35"H without Top, 36"H with 1" Optional Top
- 26" Front to Back Depth (27-1/2" with Top)
- Stainless steel handles with built-in locks
- Built-in Cool White LED Lighting (7000K)
- Digital thermostat
- DynamicChill 360° Technology
- Heated mullion to minimize condensation
- Approved for NSF 7 Open Food Storage
- Choice of Door Styles and Finish
- NSF Epoxy Coated Durable Wire Shelves. One Bottom and Two Adjustable Shelves Per Door
- Pre-drilled bottom for optional legs or casters (uses 1/4-20 self tapping 1/2"L screw)
- R290 Hydrocarbon Refrigerant
- Eco-friendly Refrigerant and Insulation
- 5-Year Compressor Warranty
- 1-Year Parts & Labor Warranty

Optional Accessories

Model	Description
BS-100	6" Stainless Steel Legs (Set of 4)
BS-101	6" Stainless Steel Legs (Set of 6)
BS-102	4" Stainless Steel Legs (Set of 4)
BS-103	4" Stainless Steel Legs (Set of 6)
BS-116	Left Side Stainless Steel Kick Plate for Pass Thru
BS-117	Right Side Stainless Steel Kick Plate for Pass Thru
BS-236	Front & Rear Kickplates for 36" Pass Thru
BS-252	Front & Rear Kickplates for 52" Pass Thru
BS-260	Front & Rear Kickplates for 60" Pass Thru
BS-272	Front & Rear Kickplates for 72" Pass Thru
BS-284	Front & Rear Kickplates for 84" Pass Thru
BC-130	1" Ultra Low Profile Casters w/ brakes (Set of 4)
BC-131	1" Ultra Low Profile Casters w/ brakes (Set of 6)
BC-132	2" Low Profile Casters w/ brakes (Set of 4)
BC-133	2" Low Profile Casters w/ brakes (Set of 6)
BC-134	3" Casters w/ brakes (Set of 4)
BC-135	3" Casters w/ brakes (Set of 6)
BS-201	White Wine Temp, 50°F - 55°F
BS-202	Red Wine Temp, 60°F - 65°F
BS-551	Upgrade: Blue LED Light for Pass Thru
BC-823	Upgrade: Warm White 3500K LED Light for Pass Thru
BC-811	Side Guard Rail for Shelving





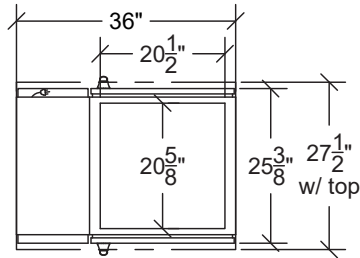
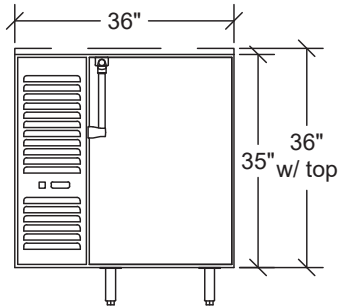
Model: _____ Item #: _____ Date: _____

Project: _____ Qty: _____ Approved By: _____

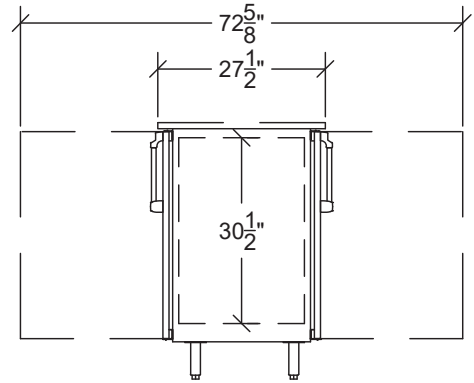
Self-Contained Pass Thru Back Bar Refrigeration

Royal Series Refrigeration

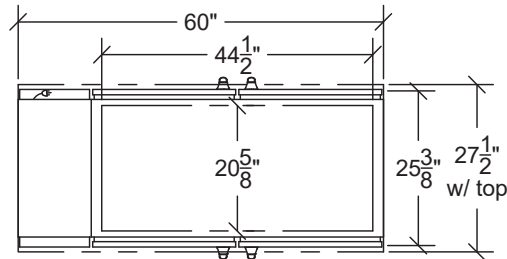
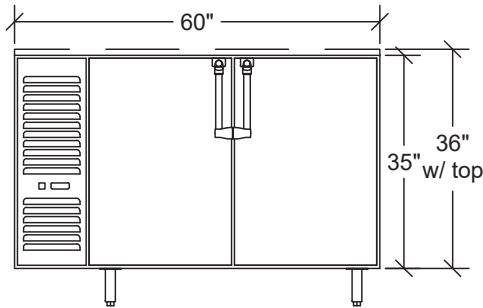
Base Model	Length	Doors	Amps	HP	Weight
KPT36L	36"	2	2.8	1/5	325 lbs.



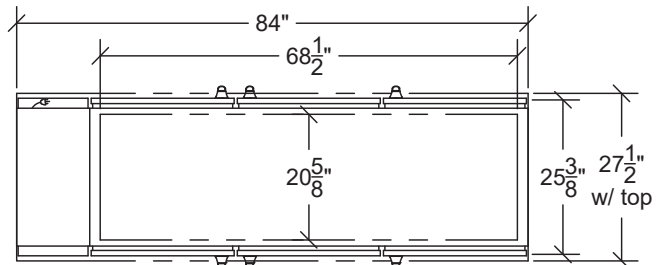
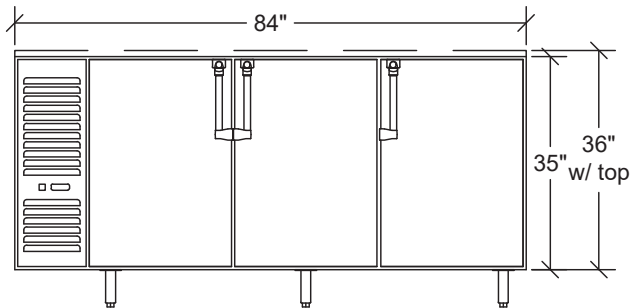
This side view applies to Base Models KPT36L, KPT60L, and KPT84L



Base Model	Length	Doors	Amps	HP	Weight
KPT60L	60"	4	4.8	1/4	445 lbs.



Base Model	Length	Doors	Amps	HP	Weight
KPT84L	84"	6	5.8	1/3	600 lbs.



Note: Optional casters raise height 1" higher than wheel size. Optional 4" or 6" legs available.





Model: _____ Item #: _____ Date: _____

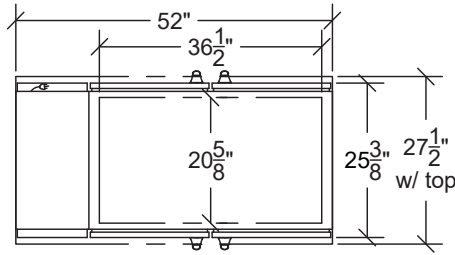
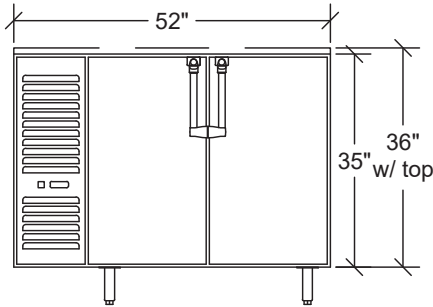
Project: _____ Qty: _____ Approved By: _____

Self-Contained Pass Thru Back Bar Refrigeration

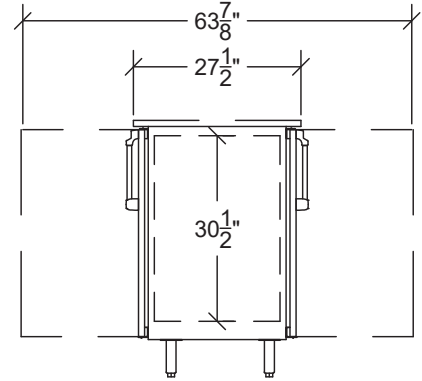
Royal Series Refrigeration

Narrow Door Pass Thru

Base Model	Length	Doors	Amps	HP	Weight
KPT52L	52"	4	4.8	1/4	435 lbs.

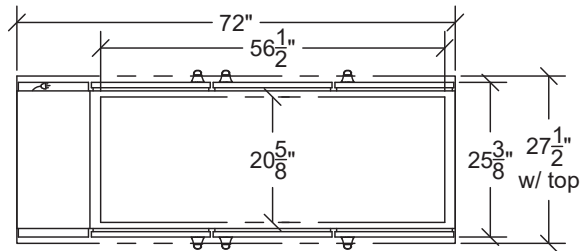
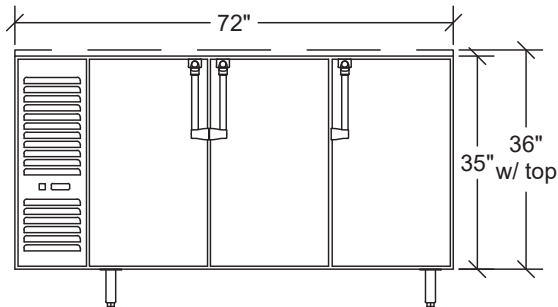


This side view applies to Base Models KPT52L and KPT72L



Narrow Door Pass Thru

Base Model	Length	Doors	Amps	HP	Weight
KPT72L	72"	6	4.8	1/4	580 lbs.



Note: Optional casters raise height 1" higher than wheel size. Optional 4" or 6" legs available.

