



Model: **18-506L** Item #: \_\_\_\_\_ Date: \_\_\_\_\_

Project: \_\_\_\_\_ Qty: \_\_\_\_\_ Approved By: \_\_\_\_\_

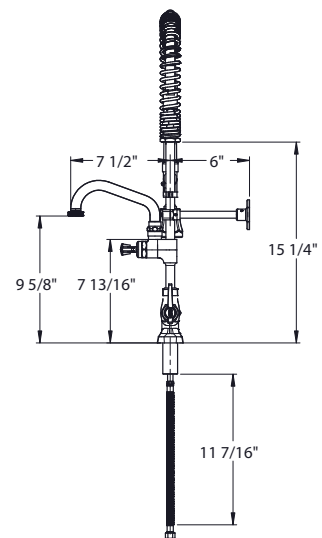
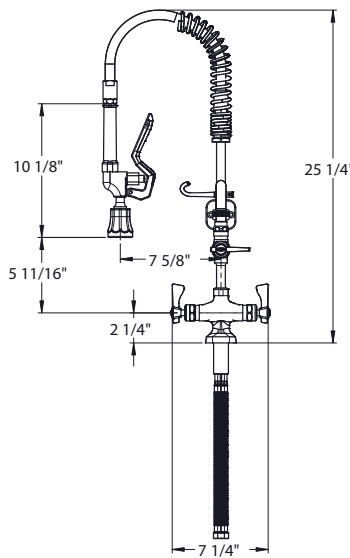
## Single Hole Deck Mount Space Saver Pre-Rinse (With 6" Spout) Royal Series Plumbing

### Description

- Single Hole Deck Mount Pre-Rinse with Add-On Faucet and 6" Spout, Polished Chrome Finish, Wall Bracket and Mounting Kit Included, 1.15 GPM Spray Head, 1.8 GPM Faucet Aerator Installed

### Standard Features

- ¼ Turn High Performance Ceramic Cartridge Valves with Integral Check
- Durable Full Range Swing Spout with Double O-Ring Construction
- Lever Handles
- Wall Bracket and Mounting Kit Included
- Knife Style Spray Valve
- Stainless Steel Corrugated Hose over Radial Wrap Tubing
- E-Z Install Swivel Fitting on Hose End for Quick Installation
- Warranty: 3 Years



### Product Compliance

- ASME A112.18.1/CSA B125.1
- NSF-61
- NSF/ANSI 372
- Meets ANSI A117.1 (ADA)
- CEC Listed
- Massachusetts Approved



**WARNING:** Plumbing connections should be made by qualified personnel who will observe all applicable plumbing, sanitary and safety codes.

California Proposition 65 Warning

### Specifications

Water Inlet	1/4" Male NPS
Temp Range	40-180F
Rough In	1-1/8" Round Hole
Flow Rate	1.15 GPM Spray Head, 1.8 GPM Faucet Spout
Riser	3/8" NPT x 8"
Add On Faucet	6" Spout
Dimensions	25-1/4" with 8" Overhang
Material	Chrome Plated Brass
Weight	13 lbs